

HOMEOWNER'S GARAGE DOOR MANUAL

Traditional Steel Collection

Series: 1400 (170), 1500 (180) and 1600 (390)

Read this manual carefully and observe all warnings when operating or maintaining your garage door.

1-800-929-DOOR

www.OverheadDoor.com

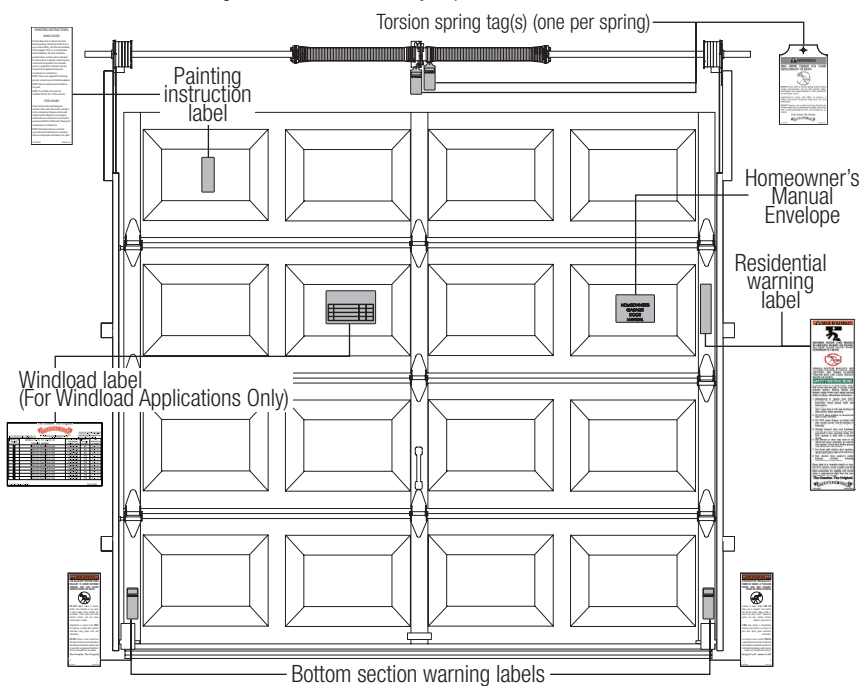
Keep this manual for future reference.

Label Placement

IMPORTANT: IF THE LABELS ARE NOT APPLIED AT THE FACTORY, THEN ENSURE YOU PLACE ALL LABELS IN POSITION, AS SHOWN. IF ANY LABELS ARE MISSING, WORN OR DAMAGED, CALL YOUR OVERHEAD RIBBON DISTRIBUTOR FOR REPLACEMENT.

NOTE: The Spring Warning tag(s) are factory attached (one per spring).

NOTE: Because of different configurations, some labels may require minor relocations.



CLEANING YOUR GARAGE DOOR

While factory-applied finishes for steel garage doors are so durable that they will last many years longer than ordinary paints, it is desirable to clean them thoroughly on a routine basis. Apparent discoloration of the paint may occur when it has been exposed in dirt laden atmospheres for long periods of time. Slight chalking may also cause some change in appearance in areas of strong sunlight. A good cleaning will generally restore the appearance of these coatings and render repainting unnecessary. An occasional light cleaning will also help maintain an aesthetically pleasing appearance. To maintain the original finish of the garage doors, the only regular maintenance necessary is that of annual washing. Mild solutions of detergents or household ammonia will aid in the removal of most dirt, and the following are recommended levels:

One cup of Tide™, or other common detergents, which contain less than 0.5% phosphate, dissolved into five gallons of warm water.

NOTE: The use of detergents containing greater than 0.5% phosphate is not recommended for use in general cleaning of garage doors.

Painting Your Garage Door

SURFACE PREPARATION FOR PAINTING:

Wax on the surface must be removed or paint peeling/flaking will result. To remove this wax, it will be necessary to lightly scuff the surface with a gray (not green!) 3M Scotch Brite pad saturated with soapy water. A final wipe and rinse should be done with clean water only, to remove any loose dust or soap film.

Surface scratches, which have not exposed the metal substrate, can be lightly buffed or sanded with 0000 steel wool or No. 400 sand paper to create a smoother surface. Care must be taken to not expose the substrate under the paint (see Note No. 2). Once this exposed condition exists, the likelihood for rusting is greatly increased. See the following paragraph if the metal substrate is observed.

Exposed substrate must be treated to prevent rust from forming. Sand the exposed area lightly and paint with high quality metal primer, especially formulated for galvanized surfaces, to protect against corrosion. Follow drying time on primer can label before applying topcoat.

The surface to be recoated must not be too smooth or the repaint material will not adhere to it. It is advisable to test a representative area to evaluate adhesion. If poor adhesion is observed, the surface must be abraded by sanding or buffing using grades mentioned above. Care must be taken to not expose the substrate under the paint. (See Note No. 2)

After the surface has been properly prepared it must be allowed to dry thoroughly, then coated immediately with a premium quality latex house paint. Follow the paint label directions explicitly. Do not use oil base paint, this will void the warranty. Please note that if substrate is exposed, painting with latex paint may cause accelerated rusting of steel.

NOTES:

1. Re-painting of finish painted steel doors cannot be warranted as this condition is totally beyond door manufacturer's control.
2. If the steel door surface has a finish painted textured surface representing wood grain, stucco, etc., sanding should not be attempted as danger of exposing substrate is greatly increased.
3. Consult a professional coatings contractor if in doubt about any of the above directions.
4. Follow directions explicitly on the paint and solvent container labels for proper applications of coatings and disposal of containers. Pay particular attention to those directions involving acceptable conditions in which to paint.

SAFETY INFORMATION

OVERVIEW OF POTENTIAL HAZARDS READ THIS SAFETY INFORMATION CONVENTIONS USED IN THESE INSTRUCTIONS:

Garage doors are large, heavy objects that move with the help of springs under high tension and electric motors. Since moving objects, springs under tension, and electric motors can cause injuries, your safety and the safety of others depend on you reading the information in this manual. If you have questions or do not understand the information presented, call your nearest trained door system technician or visit our website.

WARNING
IN THE FOLLOWING TEXT, WARNING MEANS THAT SEVERE INJURY OR DEATH CAN RESULT FROM FAILURE TO FOLLOW INSTRUCTIONS.

IMPORTANT SAFETY INSTRUCTIONS READ AND FOLLOW ALL INSTRUCTIONS SAVE THESE INSTRUCTIONS.

Potential Hazard	Effect	Prevention
 Moving door	WARNING Could result in Death or Serious Injury	Keep people clear of opening while Door is moving. Do NOT allow children to play with the Door Opener. Do NOT operate a Door that jams or one that has a broken spring.
 High tension spring	WARNING Could result in Death or Serious Injury	Do NOT try to remove, install, repair or adjust springs or anything to which door spring parts are fastened, such as, wood blocks, steel brackets, cables or other like items. Installations, repairs and adjustments must be done by a trained door system technician using proper tools and instructions.

READ THIS SAFETY INFORMATION:

1. Do NOT permit children to play beneath or with any garage door or electric operating controls.
2. Keep hands and fingers clear of section joints, track, and other door parts when the door is opening and closing to avoid injury. The lift handles are located for safe operation as well as easy use.
3. Bolts must be installed at the rear end of horizontal tracks. These act to stop the rollers and keep the door from rolling off the back of the track.
4. Track installations must use sway braces on the rear track hangers to prevent sideways movement. If the tracks are NOT firmly stabilized they might spread, allowing the door to fall and cause severe injury and damage.
5. Springs, Cables, and Bottom Corner Brackets are under strong spring tension. Do NOT attempt to remove, repair or adjust any fasteners on these components or anything to which these parts are attached, such as wood blocks, steel brackets, or other like items. You could suddenly release spring forces and risk severe injury.
6. If the garage door and/or any of the supporting tracks are damaged, operating the door could be hazardous. Take the door out of service and call a trained door system technician to promptly service or repair the door.
7. Be sure that your garage complies with all applicable state and or local ventilation requirements before you enclose any vehicles in the garage. Good ventilation avoids fire and health hazards caused by fumes accumulating within a well-sealed garage.
8. Keep ice and snow from accumulating at the bottom of the door during winter weather conditions. Ice and/or frozen snow may cause the door and bottom seal to stick to the floor. Operating a struck door may cause permanent damage to the door system.
9. **KEEP DOORS PROPERLY BALANCED.** An improperly balanced door increases the risk of severe injury or death. Have a trained door system technician make repairs to cables, spring assemblies and other hardware as necessary.
10. Doors equipped with an automatic door opener can cause serious injury or death if NOT properly adjusted and operated. To ensure safety of these doors:
 - a) Never let children operate or play with the door controls. Keep the remote control away from children,
 - b) Always keep the moving door in sight and people and objects away from the door until the door is completely closed. **NO ONE SHOULD CROSS THE PATH OF THE MOVING DOOR,**
 - c) **NEVER GO UNDER A STOPPED, PARTIALLY OPEN DOOR,**
 - d) Test opener monthly. The door **MUST** reverse on contact with a 1-1/2" high object (or a 2" x 4" board laid flat) at the center of the doorway on the floor. If the door does NOT reverse, re-test the door opener after adjusting either the force or the limit of travel in accordance with the manufacturer's instructions. Failure to adjust the opener properly may result in severe injury or death,
 - e) When possible, use the emergency release only when the door is closed. Use caution when using this release with the door open. Weak or broken springs are capable of increasing the rate and force of door closure and increasing the risk of severe injury or death, and
 - f) If your door has a pull down rope or locking mechanism, you must remove the rope and either disable or remove any door locks.

GENERAL INFORMATION

Operate the door only when it is properly adjusted and free of obstructions. If the door is hard to operate or does not move, call a trained door system technician for repair.

If door is to be electrically operated, remove pull ropes and remove or disable the lock.

Repaint the door when paint is worn or damaged. Do not paint track, track rollers, graduated hinges, counterbalance lift cables, springs, lock, or warning labels.

Recommendations

The manufacturer has designed and sized the components specifically for each type of door. The door will operate safely and efficiently over an extended period of time if it is **PROPERLY INSTALLED, OPERATED, and MAINTAINED.** The manufacturer recommends that the garage door be inspected and lubricated regularly as described in this manual.

Manual Operation

If provided, always use lift handles and step plates when operating the door manually. Do not place fingers or hands between sections.

DOOR INSPECTION AND MAINTENANCE GUIDELINES

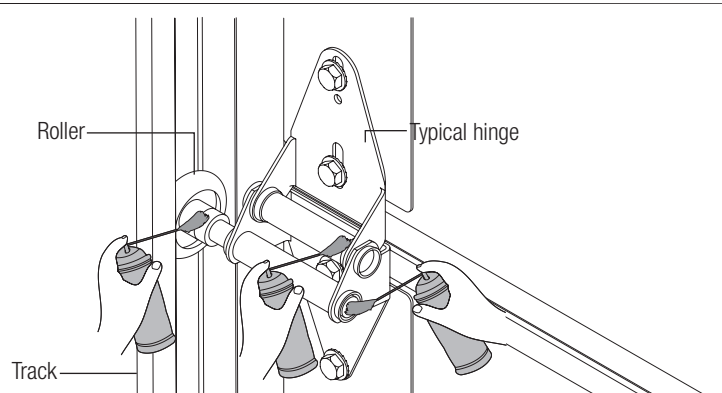
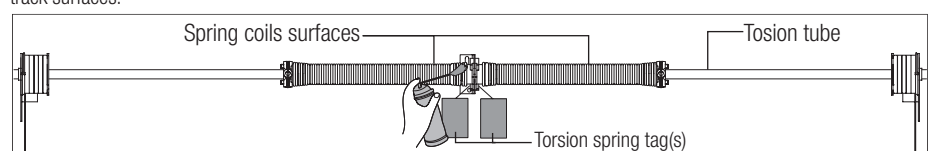
All mechanical devices require periodic service and/or maintenance, and garage doors are no exception. The amount and frequency of preventive maintenance required depends on the local environment conditions and the frequency of door use. Preventive maintenance should be performed at least every six months, however more maintenance may be required if conditions warrant. Maintenance includes lubrication of moving parts and inspection of certain components for tightness. The following maintenance and inspection recommendations may be established until actual operating conditions dictate otherwise.

Door Tracks

Keep tracks free of oil or grease so rollers move freely. Grease attracts dirt and dust which build up and keep door from moving smoothly.

LIGHTLY OIL: Hinge Points, Steel Roller Stems and inner race assembly (Non-metal rollers do not require lubrication.), Locking Device moving parts, Torsion Spring (Head plate bearing surfaces, torsion tube, and spring coil surfaces).

Lubrication reduces wear and friction. A 30w or other medium weight oil is satisfactory. Wipe off excess oil from door and track surfaces.

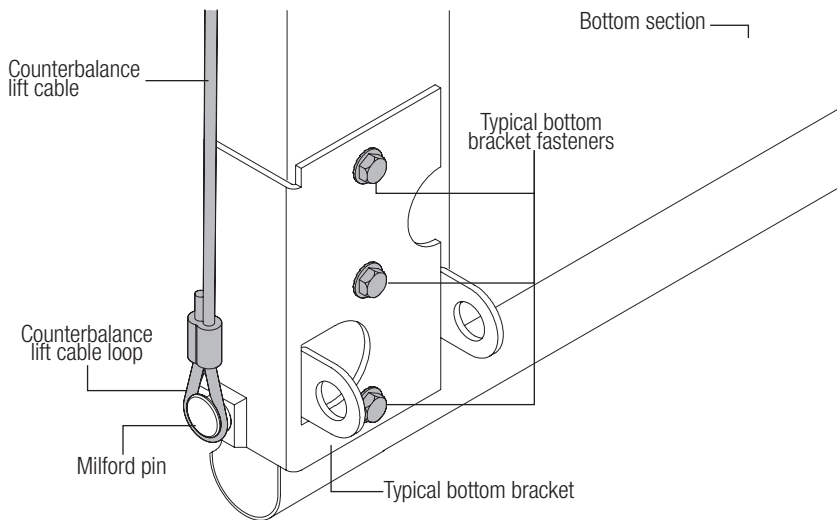


Hardware Inspection

Close and lock the door. Inspect the handles, step plates, hinges, top fixtures, locking devices, and track brackets to make sure that they are securely attached. Tighten fasteners as necessary. **DO NOT** over tighten; excess tightening may strip the threads and make the fastener useless.

WARNING

DO NOT TRY TO REMOVE, INSTALL, REPAIR OR ADJUST SPRINGS OR ANYTHING TO WHICH DOOR SPRING PARTS ARE FASTENED, SUCH AS, WOOD BLOCKS, STEEL BRACKETS, CABLES OR OTHER LIKE ITEMS. INSTALLATIONS, REPAIRS AND ADJUSTMENTS MUST BE DONE BY A TRAINED DOOR SYSTEM TECHNICIAN USING PROPER TOOLS AND INSTRUCTIONS.



Cable Inspection

Inspect the cables. The cables should be tight and secured to the bottom fixtures. The cables should not rub against the door, track or any other objects. Cables with frayed or broken strands should be replaced by a trained door system technician.

Counterbalance Lift Cable Assemblies

WARNING

BOTTOM CORNER BRACKETS, TORSION SPRING(S), COUNTERBALANCE LIFT CABLES, DRUMS, PULLEYS, SHAFTS, AND BRACKETS ARE UNDER HIGH SPRING TENSION. DO NOT ATTEMPT TO REPAIR, ADJUST OR REMOVE ANY OF THESE ITEMS. CALL A TRAINED DOOR SYSTEM TECHNICIAN.

Broken or Slipped Cable

If a cable breaks, or cable slips off a torsion spring drum, the door may cock or wedge into the tracks. **DO NOT** continue to use the door. **DO NOT** attempt repairs. Call a trained door system technician to repair the door.

Broken Spring

WARNING

HOMEOWNER! TORSION SPRINGS SHOULD ONLY BE REMOVED, INSTALLED, REPAIRED OR ADJUSTED BY A TRAINED DOOR SYSTEM TECHNICIAN. ATTEMPTING TO REMOVE, INSTALL, REPAIR OR ADJUST A TORSION SPRING ASSEMBLY WITHOUT PROPER TRAINING AND TOOLS MAY RESULT IN AN UNCONTROLLED RELEASE OF SPRING FORCES WHICH COULD CAUSE SERIOUS OR FATAL INJURY.

If a spring breaks, the door will not be counterbalanced and may fall if opened. **DO NOT** continue to use the door. **DO NOT** attempt repairs. Call a trained door system technician to repair the door.

Overhead Door Corporation Limited Warranty

Traditional Steel Collection Limited Warranty

The Distributor of Overhead Door Corporation products whose name appears below ("Seller") warrants to the original purchaser of the Traditional Steel residential garage doors ("Product"), subject to all of the terms and conditions hereof that the Product and all components thereof will be free from defects in materials and workmanship for the following periods of time, measured from the date of purchase:

- Seller warrants the door sections against splitting, cracking, or deterioration due to rusting through for the period of time listed below:
 - i) – Model 1400 / 1440 (170 Series) – Fifteen (15) years
 - ii) – Model 1500 / 1540 (180 Series) – Twenty (20) years
 - iii) – Model 1600 (390 Series) – Limited lifetime*
- Seller warrants the Product hinge system and track for a period of ten (10) years.
- Seller warrants all other components of the Product for a period of one (1) year.

*Limited lifetime shall mean as long as the original purchaser owns, and the Product remains installed in the home in which the Product is originally installed.

Seller's obligation under this warranty is specifically limited to repairing or replacing, at its option, any part which is determined by Seller to be defective during the applicable warranty period. Seller's repair or replacement labor is included for a period of one (1) year from the date of purchase, after which any labor charges are excluded and will be the responsibility of the purchaser. Product repaired or replaced under this warranty shall receive a factory original finish. This warranty does not cover the costs to repaint, restain or otherwise refinish Product.

This warranty gives you specific legal rights, and you may also have other rights, which vary from state to state. This warranty is made to the original purchaser of the Product only, and is not transferable or assignable. This warranty applies only to Product installed in a residential or other non-commercial application. It does not cover any Product installed in commercial or industrial building applications. This warranty does not apply to any unauthorized alteration or repair of the Product, or to any Product or component which has been damaged or deteriorated due to misuse, neglect, accident, puncture, incorrect installation of hardware, failure to provide necessary maintenance, normal wear and tear, failure to comply with Product painting instructions, use of corrosive chemicals or solutions on or around the Product, or acts of God or any other cause beyond the reasonable control of Seller.

ALL EXPRESS AND IMPLIED WARRANTIES FOR THE PRODUCT, INCLUDING BUT NOT LIMITED TO ANY IMPLIED WARRANTIES OF MERCHANTABILITY AND FITNESS FOR A PARTICULAR PURPOSE, ARE LIMITED IN TIME TO THE APPLICABLE WARRANTY PERIOD REFLECTED ABOVE. NO WARRANTIES, WHETHER EXPRESS OR IMPLIED, WILL APPLY AFTER THE LIMITED WARRANTY PERIOD HAS EXPIRED. Some states do not allow limitations on how long an implied warranty lasts, so the above limitation may not apply to you.

IN NO EVENT SHALL OVERHEAD DOOR CORPORATION BE RESPONSIBLE FOR, OR LIABLE TO ANYONE FOR, SPECIAL, INDIRECT, COLLATERAL, PUNITIVE, INCIDENTAL OR CONSEQUENTIAL DAMAGES, even if Overhead Door Corporation has been advised of the possibility of such damages. Such excluded damages include, but are not limited to, loss of use, cost of any substitute product, or other similar indirect financial loss. Some states do not allow the exclusion or limitation of incidental or consequential damages, so the above limitation or exclusion may not apply to you.

Claims under this warranty must be made promptly after discovery, within the applicable warranty period, and in writing to the Seller whose name and address appear below. The purchaser must allow Seller a reasonable opportunity to inspect any Product claimed to be defective prior to removal or any alteration of its condition. Proof of the purchase and identification as the original purchaser, may be required.

There are no established informal dispute resolution procedures of the type described in the Magnuson-Moss Warranty Act.

- ORIGINAL PURCHASER _____
- INSTALLATION ADDRESS _____

- SELLER: _____
- SELLER'S ADDRESS: _____
- FACTORY ORDER #: _____
- DATE OF INSTALLATION: _____
- SIGNATURE OF SELLER: _____