

# CENTERMOUNT

## NOT FOR RESIDENTIAL USE

### CENTER MOUNT INSTALLATION

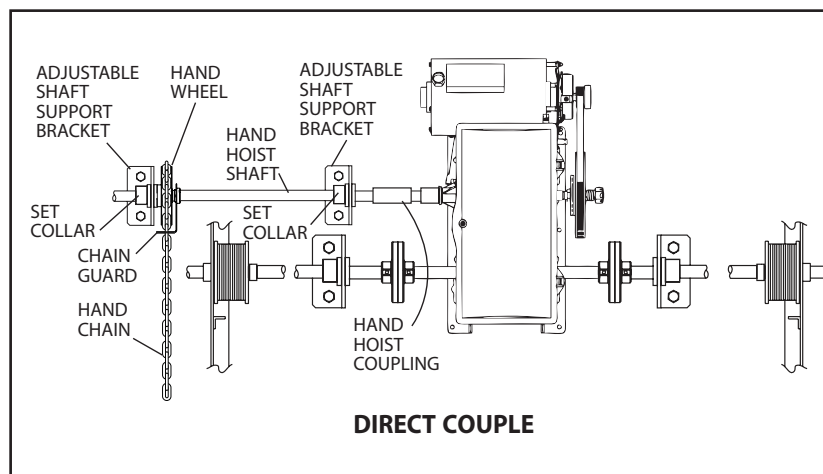
This document is a supplement to the RSX  
SIDEMOUNT Manual.

#### Equipment Differences from normal Side Mount Unit.

- 1) Door Shaft will be split in 2 pieces to allow installing the drive sprocket on a Chain Coupled Door. In addition, the shaft pieces will be shortened on a Direct Couple Door to allow space for the Operator Output Shaft.
- 2) The Emergency Hand Hoist is mounted on an extension shaft that places the Hand Wheel and Hoist Chain at the edge of the door.
- 3) Included is a kit for mounting the Hoist with the extended shaft (Installation Instructions on reverse side of this instruction).

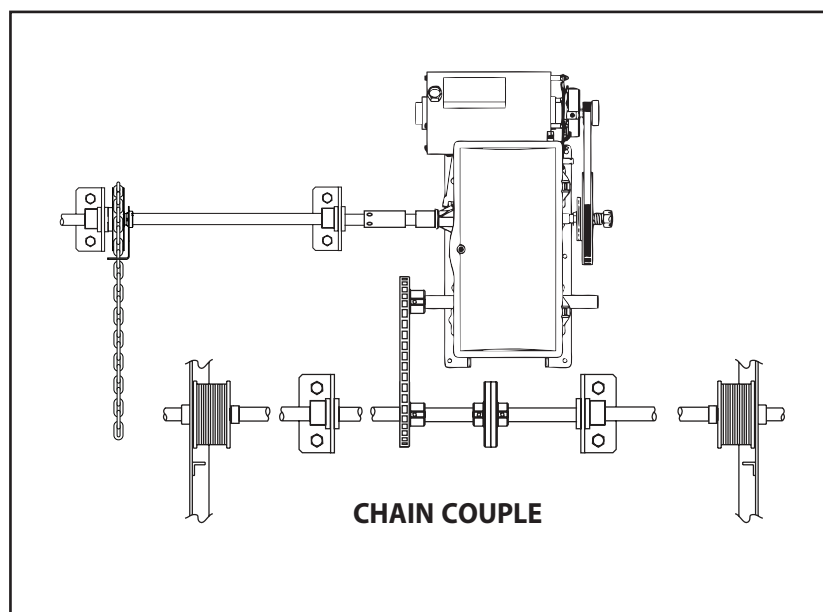
#### Installation Differences-Direct Couple.

- 1) If not closed — fully close the door.
- 2) Slide a coupling half onto each door shaft and operator shaft each with a square key .
- 3) Slide the operator between the door shafts so that the output shaft is aligned with the two door shaft halves.
- 4) Butt the coupling halves together and tighten their set screws.
- 5) Roll both halves of the door shaft to remove slack from the cables and equalize tension on both ends. They can be held in position using clamps or locking pliers while the shafts are being coupled together. Bolt the coupling halves together with flat washers next to the coupling and lock washers next to the nuts.
- 6) Install Hoist Kit. (See Reverse)



#### Installation Differences-Chain Couple.

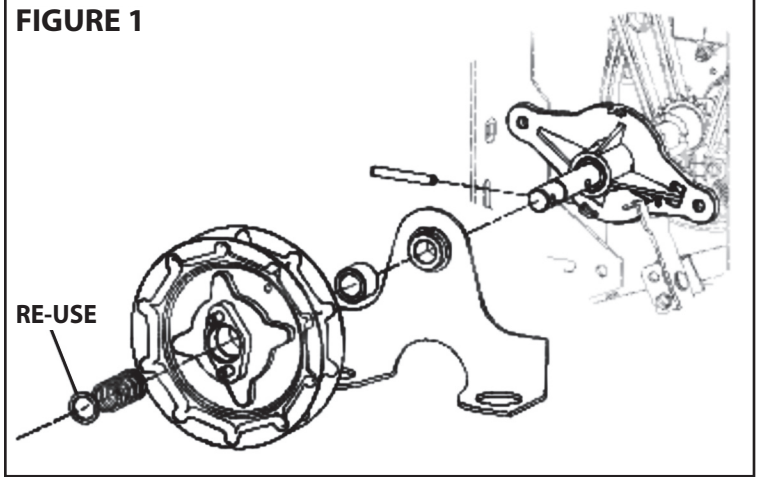
- 1) Slide the door shaft sprocket onto the half of the door shaft that allows it to be aligned with the sprocket on the operator output shaft.
- 2) Slide a coupling half onto each door shaft each with a square key.
- 3) Butt the coupling halves together and tighten their set screws.
- 4) Roll both halves of the door shaft to remove slack from the cables and equalize tension on both ends. Bolt the coupling halves together with flat washers next to the coupling and lock washers next to the nuts.
- 5) Align the door shaft sprocket with the operator output sprocket and tighten the set screws in both the sprocket and coupling.
- 6) Install Hoist Kit. (See Reverse)



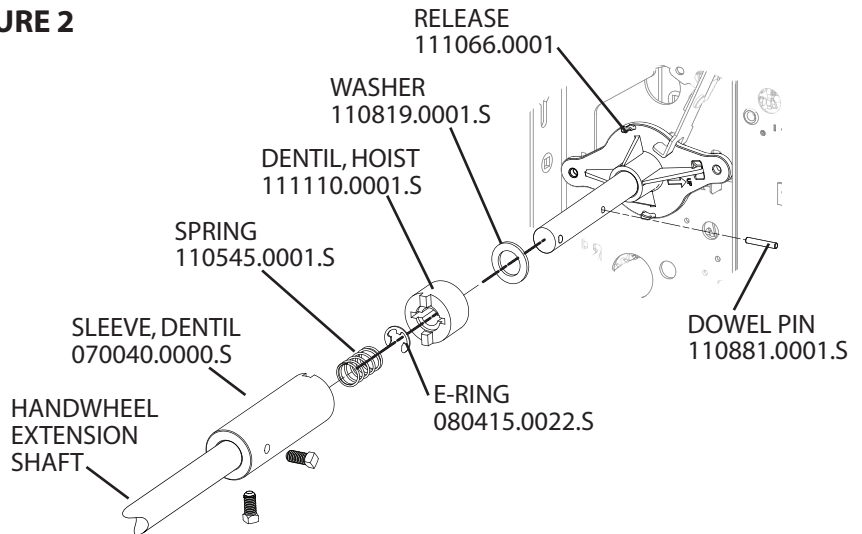
# HOIST SHAFT INSTALLATION

- 1) Drive spring pin out of the intermediate shaft (handwheel) and remove all items up to the handwheel release, retaining the washer. **FIGURE 1.**
- 2) Place the washer back onto the shaft and insert the new dowel pin. **FIGURE 2.**
- 3) Next slide the short half of the dentil coupling, the spring and finally snap the e-ring type retainer into place.
- 4) Insert the handwheel extension shaft into the dentil sleeve coupler and secure with the set screws.
- 5) Slide shaft support bracket(s) onto the extension shaft. Check that the bearing bracket are free to slide back and forth. **FIGURE 3.**
- 6) Mount the support bracket(s) to the wall or support pad. Use a level.
- 7) Adjust the bearing brackets to make the extension shaft parallel with the wall and tighten down the brackets.
- 8) Slide the handwheel, chain guard and set collar up against the support bracket and tighten the set screws on the collar and handwheel.
- 9) Install hand chain. (See Owner's Manual)

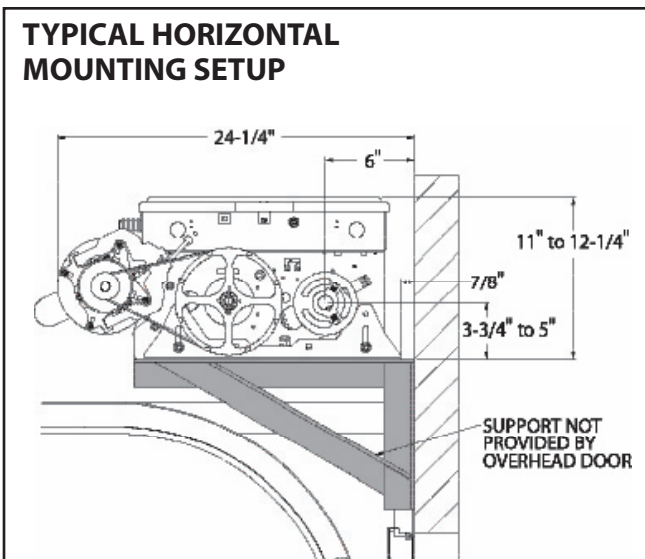
**FIGURE 1**



**FIGURE 2**



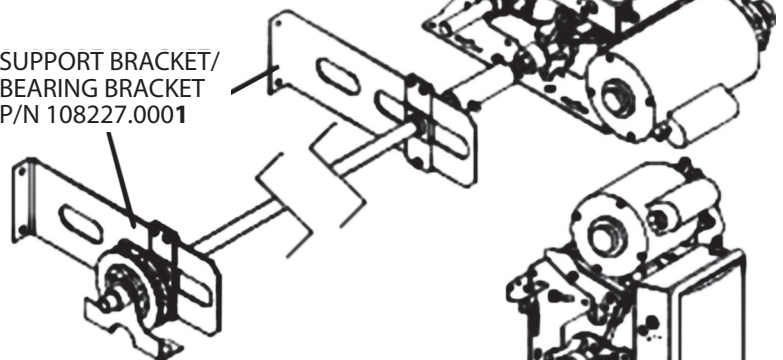
## TYPICAL HORIZONTAL MOUNTING SETUP



**FIGURE 3**

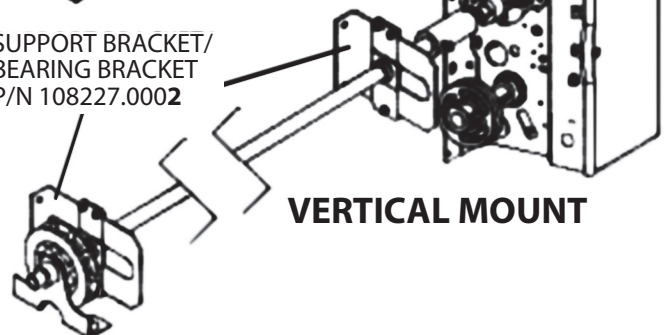
## HORIZONTAL MOUNT

SUPPORT BRACKET/  
BEARING BRACKET  
P/N 108227.0001



SUPPORT BRACKET/  
BEARING BRACKET  
P/N 108227.0002

## VERTICAL MOUNT



**The Genuine. The Original.**



Access Systems Division  
a Division of Overhead Door Corporation

22790 Lake Park Blvd.  
Alliance, Ohio 44601