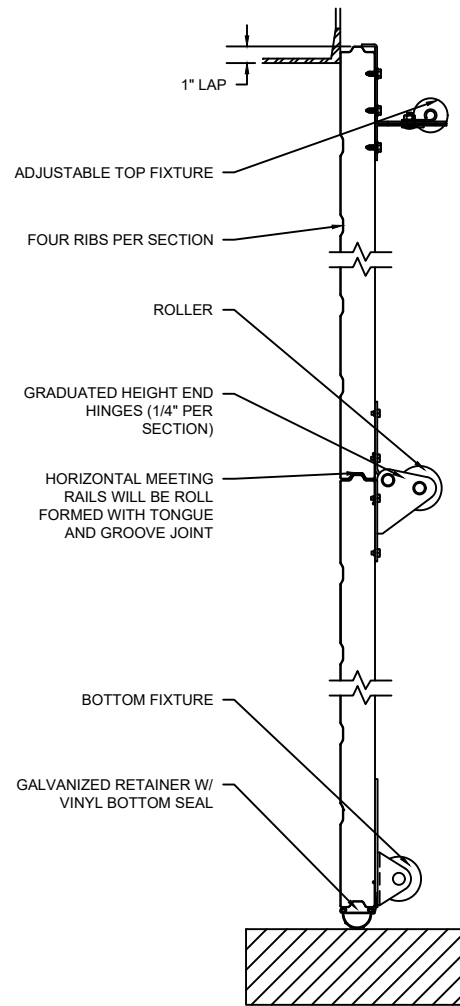
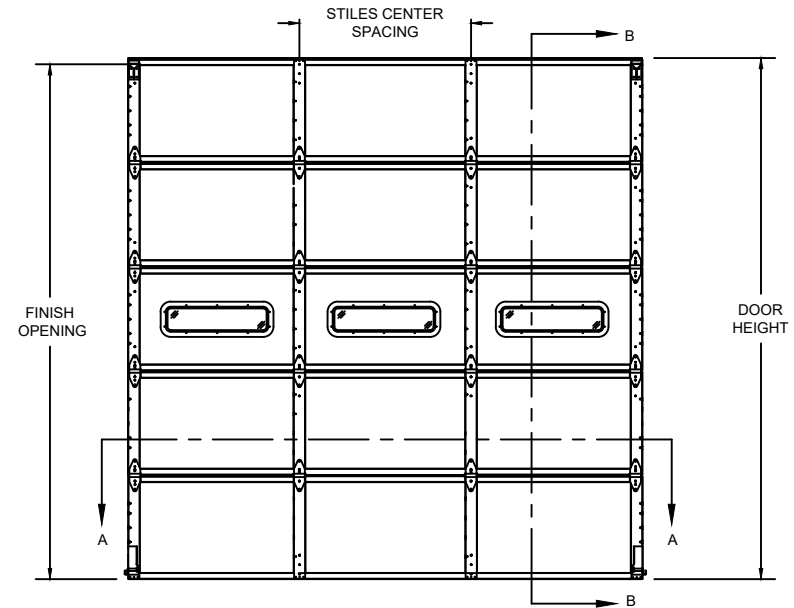


MODEL	STANDARD MAX. VALUES	
	WIDTH	HEIGHT
402	30' 2"	22' 1"

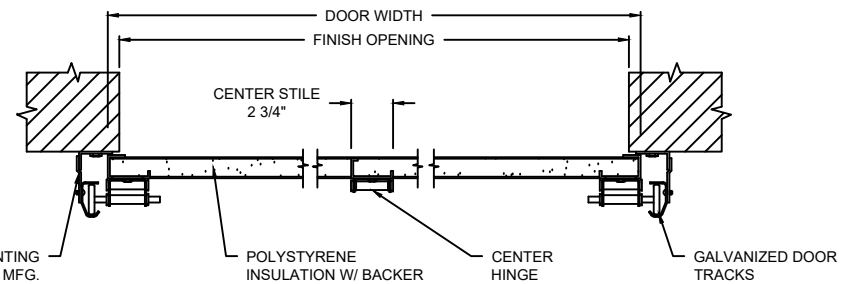
NOTE: 5 SECTION, 3 PANEL, 3 WINDOW DOOR SHOWN.
SECTION, PANEL, AND WINDOW QTY WILL VARY



SECTION B-B



ELEVATION



SECTION A-A

BOTTOM FIXTURE
GALVANIZED RETAINER W/
VINYL BOTTOM SEAL

OPTIONS

OPENING WIDTH	
OPENING HEIGHT	
DOOR TRACK SIZE	<input type="checkbox"/> 2" <input type="checkbox"/> 3"
END STILES	<input type="checkbox"/> SINGLE <input type="checkbox"/> DOUBLE
STILES SPACING	<input type="checkbox"/> 40" <input type="checkbox"/> 48"
WINDOW OPTIONS	<input type="checkbox"/> 24" X 6" VISION LITE <input type="checkbox"/> FULL-VIEW LITES
SEAL OPTIONS	<input type="checkbox"/> JAMB SEAL <input type="checkbox"/> STANDARD BOTTOM SEAL <input type="checkbox"/> TOP SEAL
LOCK OPTIONS	<input type="checkbox"/> DOUBLE LOCK BAR <input type="checkbox"/> SHORT LOCK BAR <input type="checkbox"/> STANDARD SLIDE LOCK
INSULATION BACKER OPTIONS	<input type="checkbox"/> EMBOSSED BACKER <input type="checkbox"/> VINYL BACKER

COMPONENT	MATERIAL	OPERATION	NOTES:
SECTIONS	20 GA. ROLL-FORMED GALVANIZED	MANUAL PUSH UP	- WARRANTY: 1-YEAR LIMITED - INSULATION WILL BE COMPOSED OF POLYSTYRENE PROVIDING INSULATION FACTORS OF 7.64 R-VALUE. OVERHEAD DOOR™ BRAND USES A CALCULATED DOOR SECTION R-VALUE FOR OUR INSULATED DOORS.
CENTER/END STILES	16 GA. STEEL		
HARDWARE	GALVANIZED STEEL		
WEATHERSTRIP	FLEXIBLE VINYL		

SECTIONAL WAREHOUSE

402 SECTIONAL WAREHOUSE DOORS (INSULATED)

DWG. NO.	DATE:	The Genuine. The Original. OVERHEAD DOOR
SHEET	BY:	