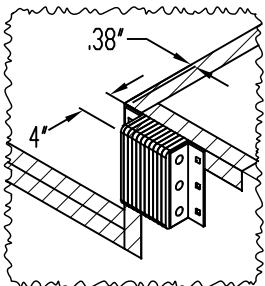
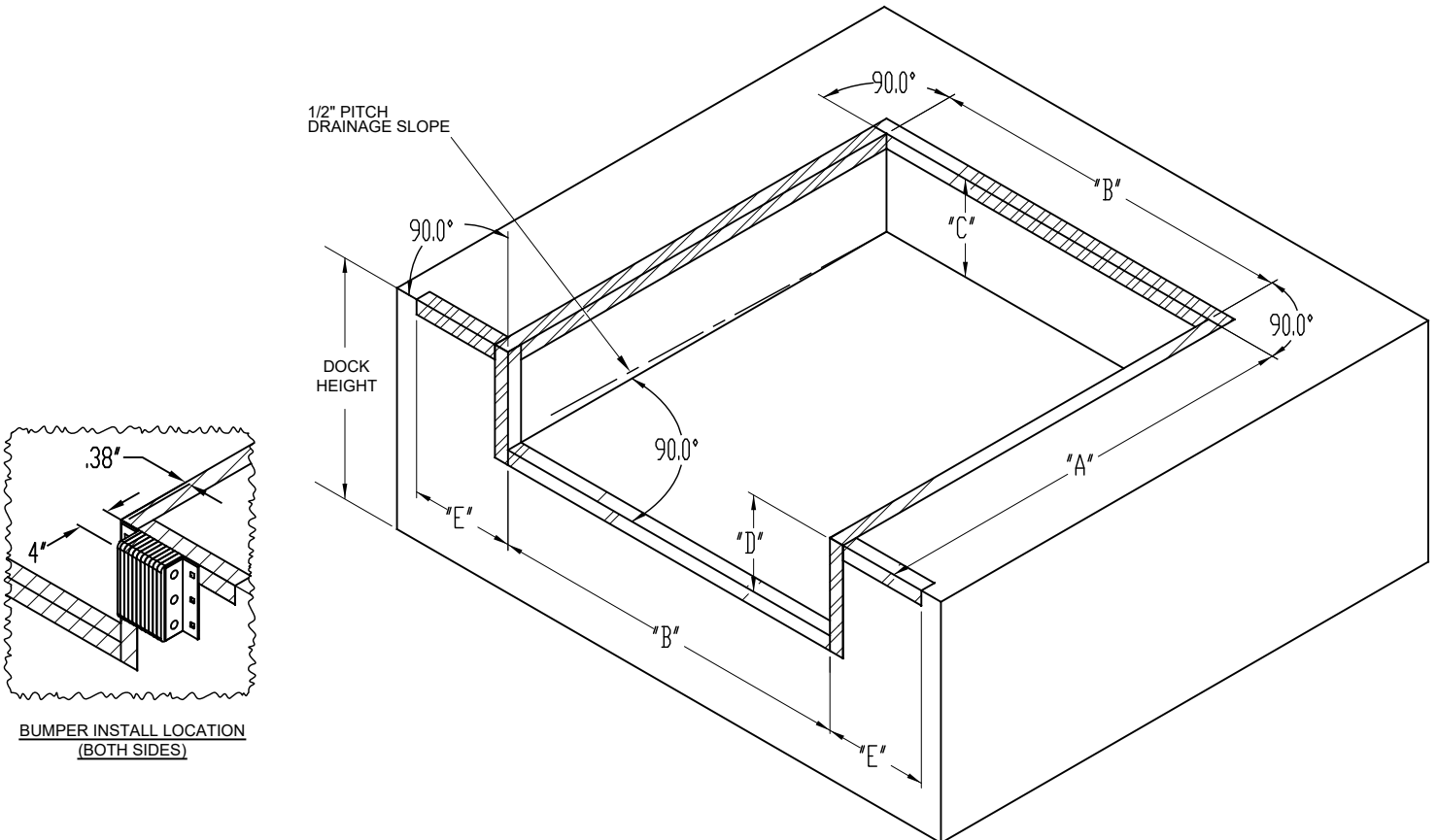
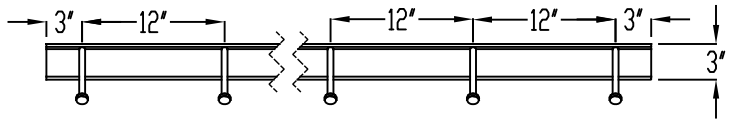


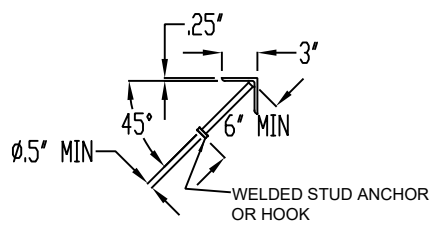
SPECIFICATIONS	
DOCK NUMBER	
DOOR WIDTH	
DOOR HEIGHT	
NOTES	



BUMPER INSTALL LOCATION
(BOTH SIDES)



EMBEDDED ANGLE (BY OTHER)



PIT DIMENSIONS				
DIMENSION DESCRIPTION	DIMENSION NAME	TOLERANCE	NOMINAL LEVELER SIZE	
			6'X8'	7'X8'
PIT LENGTH	"A"	-1/4" +0"	87"	87"
PIT WIDTH	"B"	±1/8"	74"	85"
PIT DEPTH (REAR)	"C"	±1/8"	19.5"	19.5"
PIT DEPTH (FRONT)	"D"	±1/8"	20"	20"
BUMPER CURB ANGLE LENGTH	"E"	±1/2"	18" MIN	18" MIN

PIT DRAWING		
PROJECT		
ARCHITECT		
CONTRACTOR		
DISTRIBUTOR		
PLANT		
DIST. DWG. NO.	DATE:	The Genuine. The Original. OVERHEAD DOOR
SHEET	BY:	