

The Genuine. The Original.



MECHANICAL DOCK LEVELER

SPECIFICATIONS

DIMENSIONS/CAPACITY/APPLICATION

Model H68R	6' wide x 8' length
Model H78R	7' wide x 8' length
Weight Capacity	30,000, 35,000, 40,000, 45,000 lbs CIR
Ideal Application	High-volume, fast-paced docks
Option	24" Pit Adaptation Kit

BUMPER BOXES STANDARD

Molded Rubber Bumpers	√ Standard
Laminated Bumpers & Steel Faced Bumpers	Optional

CONTROL

Hold Down Auto Release	√ Standard
------------------------	------------

LIP

16" Lip	√ Standard
18" & 20" Lip	Optional
Lip Keepers & Lip Bevel	√ Standard
Lip Taper	√ Standard (Model H78R Only)

OPERATION

End Loading & Below Dock Capable	√ Standard
----------------------------------	------------

SAFETY

Tethered Maintenance Brace	√ Standard
Safety Tread on Deck & Lip	√ Standard
Safety Legs	√ Standard
Toe Guards: Working Range (12" Above/Below Dock)	√ Standard
Toe Guards: Full Operating Range	Optional

WEATHER SEALS

Weather Seal: Brush or Neoprene	Optional
Chain Hole Seal	Optional



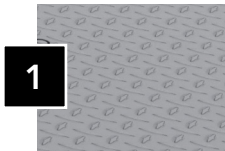
1-Year Limited Warranty.

Warranty on dock equipment extends to **2-year limited when paired and purchased with the door.**

SAFE Features.

Purpose-built with an open base frame that enhances visibility and access during install and service—reducing risk, improving ergonomics, and supporting a safer work environment from day one.

- Targeted shimming reduces setup effort and enhances safety



1 **Patent-pending textured powder coat** delivers unmatched slip resistance and preserves finish in high-traffic environments

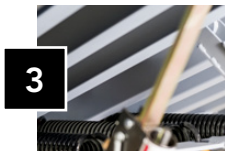


2 **Open lug hinge design** sheds debris and requires minimal lubrication, keeping lip and deck movement smooth and maintenance simple

SMOOTH Transitions.

Durable, dependable, and performance-tested to ensure consistent dock-to-trailer transfers that safeguard people, product, and profitability.

- Meets ANSI MH30.1-2022 standards for strength and durability—proven to support a 10-year structural life



3 **34% weld coverage** between beam and deck offer industry-leading reinforcement for long-term reliability



4 **Standard 3-wheel fork truck support** expands application versatility—ready for diverse loading demands

SMART Designs.

Precision-built with intuitive features—like four steel fork loops to reduce damage and shifting during shipping—that streamline setup, reduce service demands, and keep operations running with minimal intervention.

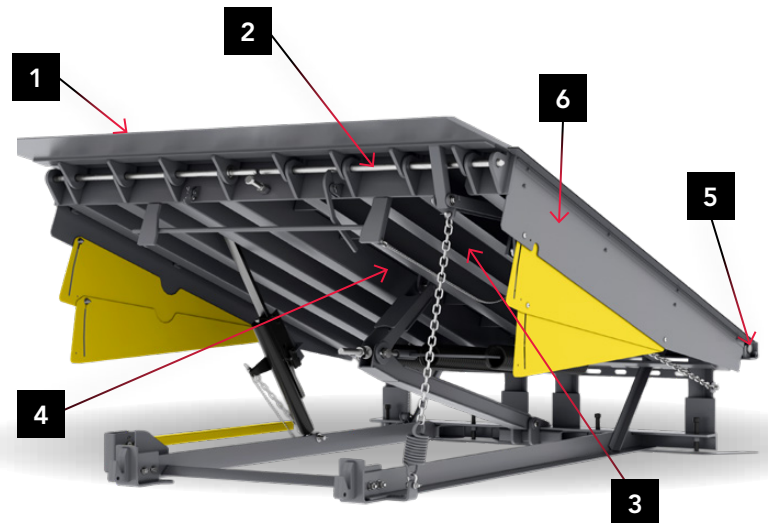
- Top side adjusters quickly align the deck with the building floor for a faster install
- Full-width rear deck hinge enhances structural integrity



5 **Unique fillet welds** create a stronger bond to pit steel and speed up installation—reducing labor time without compromising structural integrity



6 **Working range toe guards** are easily replaced without welding—simplifying service and minimizing downtime



©2026 Overhead Door Corporation. Overhead Door is a trademark and the Red Ribbon logo is a registered trademark of Overhead Door Corporation. All other trademarks are the property of their rightful owners. Consistent with our policy of continuing product improvement, we reserve the right to change product specifications without notice or obligation.