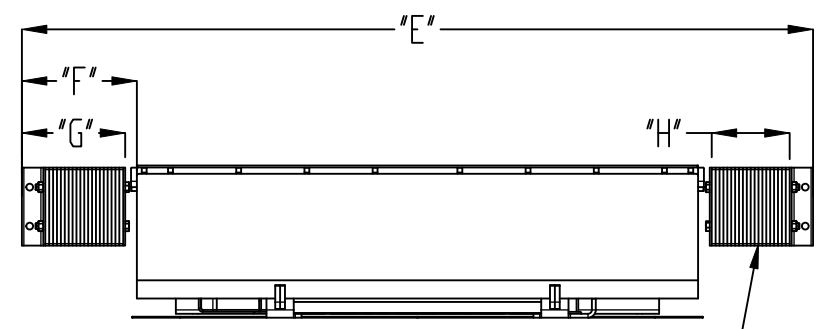
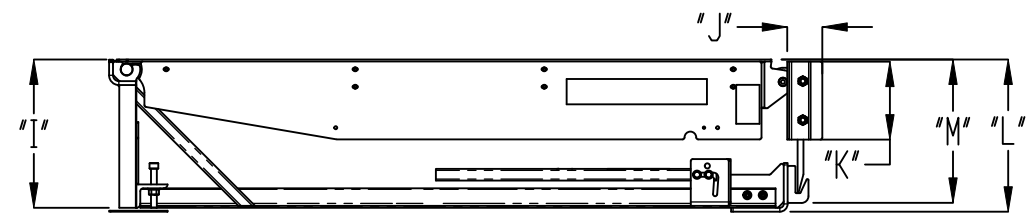
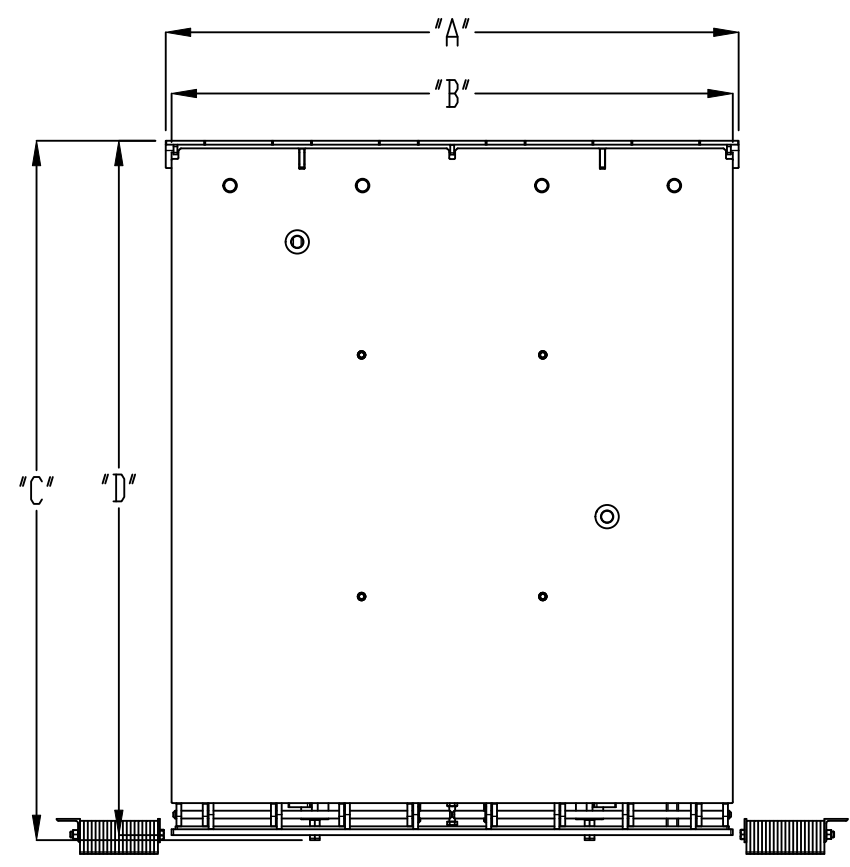
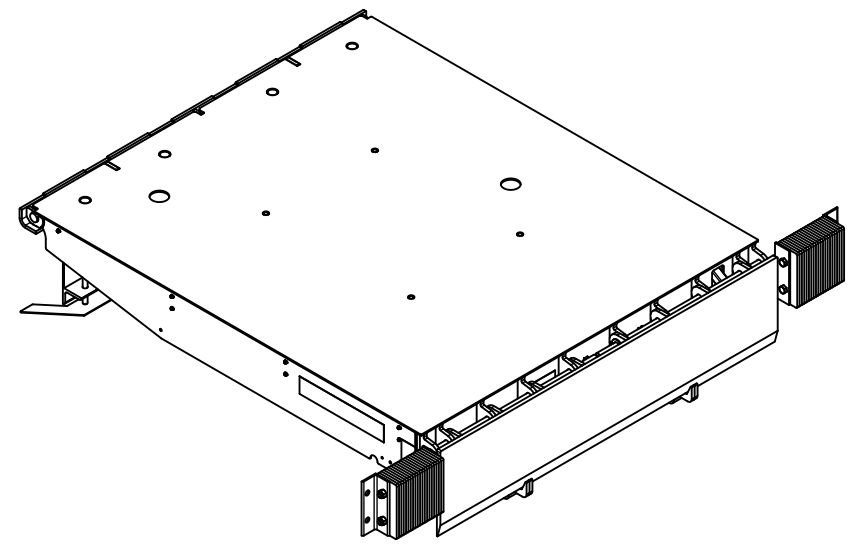


SPECIFICATIONS	
DOCK NUMBER	
DOOR WIDTH	
DOOR HEIGHT	
NOTES	



STANDARD BUMPERS

LIP SIZE	"M"
16"	18.5"
18"	20.5"
20"	22.5"

DOCK LEVELER DIMENSIONS												
NOMINAL LEVELER SIZE	"A"	"B"	"C"	"D"	"E"	"F"	"G"	"H"	"I"	"J"	"K"	"L"
6' X 8'	73.0"	72.0"	89.7"	89.1"	101.5"	14.8"	13.3"	10.0"	19.0"	4.5"	10.0"	19.3"
7' X 8'	84.0"	83.0"	89.7"	89.1"	112.5"	14.8"	13.3"	10.0"	19.0"	4.5"	10.0"	19.3"

DOCK LEVELER DIMENSIONS		
PROJECT		
ARCHITECT		
CONTRACTOR		
DISTRIBUTOR		
PLANT		
DIST. DWG. NO.	DATE:	
SHEET	BY:	