

FOAM DOCK SHELTER - TM70R



IMPACTABLE L-SHAPED COLUMNS AND ADJUSTABLE CURTAIN ACCOMMODATE MANY TRAILER SIZES

Impactable L-shaped columns hug the trailer to help seal out the weather. Along with the adjustable curtain, this shelter accommodates a wide variety of trailers with different widths and heights. It also provides access to the full width and height of the trailer.

Adjustable Curtain

- Available with up to a 52" drop
- Full width steel tube that prevents curtain sagging
- With a rope and pulley assembly, the curtain adjusts to different trailer heights to help aid thermal efficiency.
- In lieu of curtain fabric, low temperature PVC strips can be ordered for cold weather applications

High Quality Construction

- The fabric is double stitched with high strength polyester thread that has been UV treated for long term durability
- The columns have premium grade foam with full compression and recovery properties in temperatures as low as -40°F
- The fire resistant foam is continuously bonded to the backing with a non-flammable adhesive with elastic properties for long life
- Plated vent openings drain moisture and promote air circulation for compression in the vertical columns

Fabric Advantages

- Made of fire resistant fabric and available in multiple weights including a premium 40 oz fabric that has 6 times more abrasion resistance
- All fabrics are treated with UV protection to prevent fading

Additional Trailer Impact and Abrasion Protection

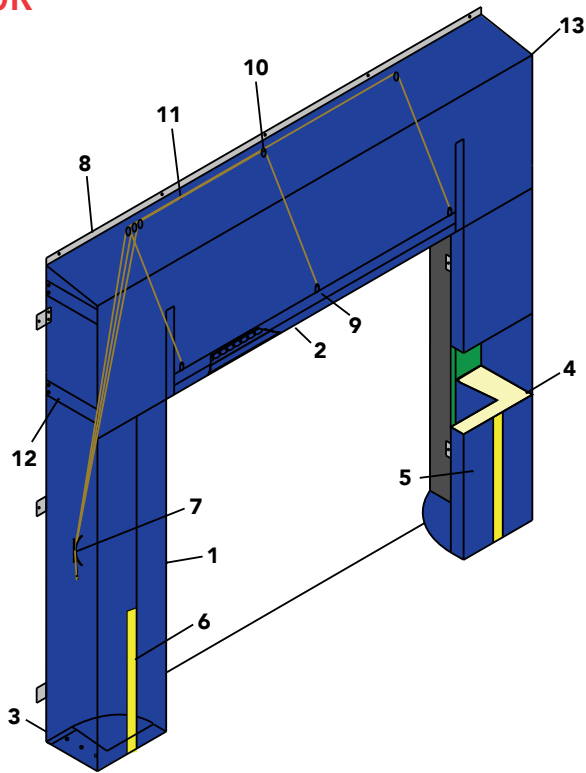
- Optional column wear pleats provide additional tearing and abrasion protection
- Heavy duty 66 oz. wear pleats on the top and bottom corners also available

1-Year Limited Warranty



Foam Dock Shelter

TM70R



- | | |
|---------------------------|--------------------------------|
| 1. Column | 8. Curtain retaining bar |
| 2. Adjustable curtain | 9. "D" rings |
| 3. Air vents | 10. Pulleys |
| 4. Polyurethane foam core | 11. Rope |
| 5. Cover fabric | 12. Curtain restraining straps |
| 6. Yellow guide stripe | 13. Steel tube |
| 7. Rope cleat | |

COMMON APPLICATION

Dock Height	48" with level drive
Trailer Width	8'0" to shelter max
Trailer Height	12'0" to 13'6"
Door Opening	Up to 10'w x 10'h

DIMENSIONS	STANDARD	OPTIONAL
Column Height 10'9"	✓	
Column Height 10'10" to 12'		✓
Column Width Back 8" and Front 20"	✓	
Column Width Front up to 30"		✓
Shelter Width 11'4"	✓	
CURTAIN		
Full Width Steel Tube	✓	
30" Adjustable Curtain	✓	
Add drop up to 52"		✓
18" Fixed Curtain		✓
Add drop up to 52"		✓
Split Curtain - Adjustable 30" to 48"		✓
Split Curtain - Fixed 18" to 48"		✓
Split Curtain - Velcro (adjustable or fixed)		✓
30" PVC Curtain Strips		✓
PROJECTION		
16" Projection	✓	
Projection (17" - 24")		✓
Projection Box 4"/6"/8"/10"/12"		✓
Taper Projection (16" - 24" top or bottom)		✓
FABRIC WEIGHT & COLOR		
22 oz (Black, Blue, Gray, Green, Brown)		✓
40 oz Regular (Black, Blue, Gray, Green, Red, Brown)		✓
40 oz Premium (Black)		✓
ADDITIONAL ABRASION PROTECTION		
Double layer of fabric on impact area of columns (same weight/color available as above)		✓
Scuff Guards (40 oz Regular, Black)		✓
Wear Pleats 4"/8"/16" Exposure (same weight/color available as above)		✓
Heavy Duty 66 oz Top and Bottom Corner Pleats 4" exposure (Black, Orange, Blue)		✓
FRAME		
Treated Lumber	✓	
Galvanized Steel		✓
DRAFT CONTROL		
2 Bottom Draft Flaps	✓	
GUIDE STRIPES		
24" High	✓	
Full Height		✓
MOUNTING		
Galvanized Mounting Hardware	✓	



INDUSTRY LEADING
COMMERCIAL & INDUSTRIAL SOLUTIONS

2501 S. State Hwy. 121 Bus., Suite 200, Lewisville, TX 75067
1-800-929-DOOR • sales@overhaddoor.com
overhaddoor.com

