

**The Genuine. The Original.**



***Installation Instructions  
for Fixed Shelter Treated  
Lumber Frame  
MODEL TX40R***



**READ COMPLETE INSTRUCTIONS BEFORE INSTALLING DOCK SEAL OR SHELTER**

# IMPORTANT SAFETY INSTRUCTIONS

## DEFINITION OF KEY WORDS USED IN THIS MANUAL:

### **⚠ DANGER**

INDICATES A HAZARDOUS SITUATION THAT, IF NOT AVOIDED, WILL RESULT IN DEATH OR SERIOUS INJURY.

### **⚠ WARNING**

INDICATES A HAZARDOUS SITUATION THAT, IF NOT AVOIDED, COULD RESULT IN DEATH OR SERIOUS INJURY.

### **⚠ CAUTION**

INDICATES A HAZARDOUS SITUATION THAT, IF NOT AVOIDED, COULD RESULT IN MINOR OR MODERATE INJURY.

### **NOTICE**

INDICATES INFORMATION CONSIDERED IMPORTANT, THAT IT IS NOT RELATED TO INJURY, BUT MAY RESULT IN PROPERTY DAMAGE.

**IMPORTANT:** Required key step for proper door operation.

**NOTE:** Information only.

# INSTALLATION LISTS

THE FOLLOWING LISTS COVER BASIC INSTALLATION, INCLUDING SOME OPTIONS

COMPONENT LIST (PER UNIT)		
NO.	DESCRIPTION	QTY.
1	VERTICAL PANELS	2
2	HEADER PANEL	1
3	VERTICAL FRAMES	2
4	HEAD FRAME	1
5	STABILIZING BRACKETS (STANDARD IF NO PROTECTIVE GUARDS)	2
6	PROTECTIVE GUARDS (OPTION)	2
7	Bottom Pads (Option)	2

HARDWARE SUPPLIED LIST		
NO.	DESCRIPTION	QTY.
8	3/8" SLEEVE ANCHORS	9
9	1/4" X 1-1/4" CONCRETE SCREWS (STABILIZING BRACKET)	4
10	4-HOLE MOUNTING BRACKETS	2
11	1/4" X 1-1/2" WOOD SCREWS	30
12	3/8" WASHERS	30
13	ROOFING NAILS	12
14	WIND STRAPS (24" BUNGEE)	4
15	4-HOLE MOUNTING BRACKETS (BOTTOM PAD OPTION)	4
16	#14 X 1-1/2" FLAT QUAD SCREWS (BOTTOM PAD OPTION)	16
17	INSTALLATION INSTRUCTIONS	1

RECOMMENDED TOOLS LIST (TYPICAL MASONRY WALL)	
1	TAPE MEASURE
1	PLUMB LINE LEVEL
1	PENCIL OR MARKER
1	SQUARE
1	POWER DRILL
1	3/8" HEX HEAD DRIVER BIT
1	HAMMER DRILL
1	3/8" MASONRY DRILL BIT
1	HAMMER
1	#2 ROBERTSON SCREWDRIVER
1	1/2" WRENCH
2	FLAT 2 X 4 SUPPORTS
3	CAULKING (SILICON OR BUTYL RUBBER)

# INSTALLATION INSTRUCTIONS

## ⚠ WARNING

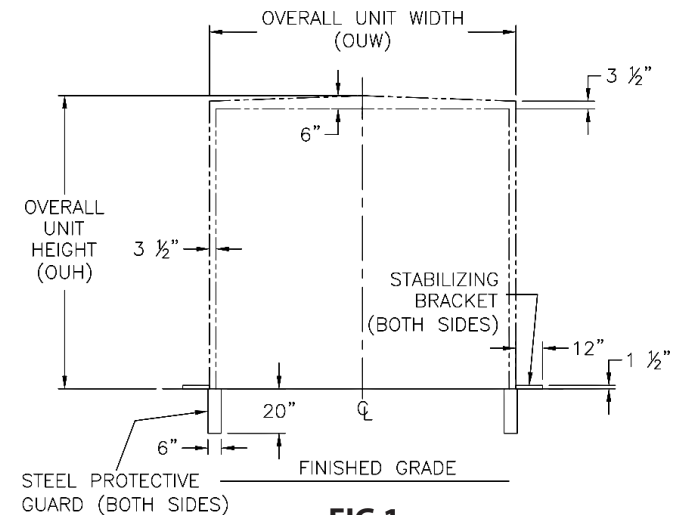
**READ ALL INSTRUCTIONS BEFORE INSTALLING. OVERHEAD DOOR WILL NOT BE HELD RESPONSIBLE FOR IMPROPER INSTALLATION OF ANCHORING DEVICES OR FOR INSTALLATION INTO AGED OR UNSOUND CONCRETE, CONCRETE BLOCK, OR OTHER WALL OR FLOOR MATERIAL WHICH MAY RESULT IN PREMATURE PRODUCT WEAR, PRODUCT FAILURE, PROPERTY DAMAGE, OR PERSONAL INJURY.**

### 1. CHECK ORDER

- a. Measure door opening height and width.
  - Make sure dimensions match the Purchase Order.
  - Make sure there is enough space to install shelter (Figure 1 -Standard Unit).
  - Check for existing:
    - Dock seals
    - Bollards or obstacles
    - Lights and conduit
    - Drains.

**NOTE:** Make sure there is enough space between the door opening and the frames to install the mounting brackets on the inside of the shelter.

- Standard units are designed for a 48" dock height, level approach.
- b. Check Components and Hardware Supplied List. Make sure all components and hardware are present.
- c. Check Recommended Tools List. Make sure all recommended tools are available.
- d. Determine method of mounting shelter to wall.
  - Super Seal supplies 3/8" sleeve anchors with the shelter. The customer must supply any other mounting hardware, including that for Steel Protective Guards.
  - **Concrete Block, Precast Concrete, or Brick wall:** Use supplied sleeve anchors. If anchors will not hold, use 3/8" threaded rod for through-bolt (not supplied).
  - **Metal Siding:** Use 3/8" threaded rod for through-bolt fastening with steel or wood backup plate (not supplied).
  - **WELDING THE SHELTER TO THE WALL IS NOT RECOMMENDED.**

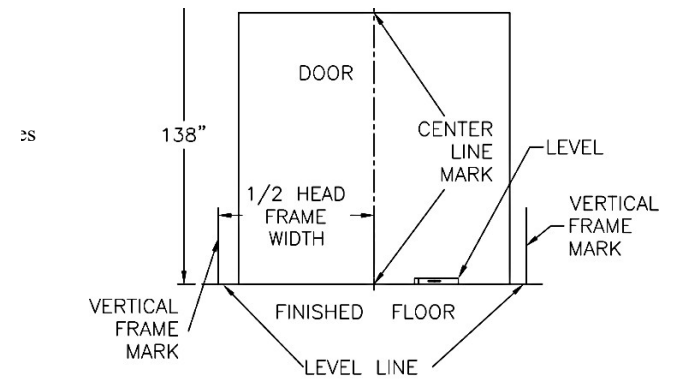


**FIG 1**

# INSTALLATION INSTRUCTIONS CONTINUED...

## 2. PREPARE DOCK DOOR OPENING

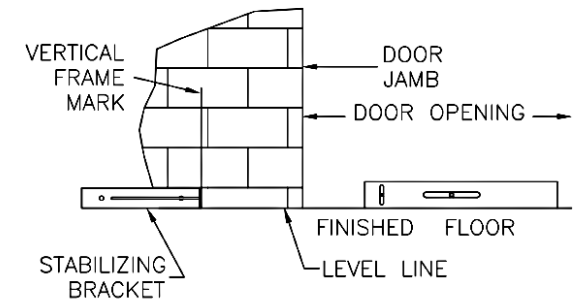
- a. Measure and mark center of dock door opening (Figure 2).
  - Mark centerline on dock floor.
  - Mark centerline on lintel above door.
  - \* Extend line to 138" above dock floor.
  - Make sure marks are plumb to each other.
- b. Draw a level line even with the dock floor along both sides of dock face.
- c. Measure Head Frame width and divide by 2.
- d. Mark Vertical Frame positions.
  - Measure 1/2 the Head Frame width from dock floor centerline to one side of level line.
  - Mark.
  - Repeat for other side.



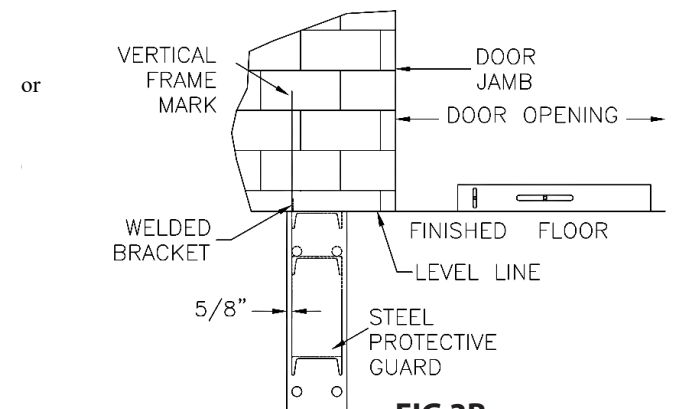
**FIG 2**

## 3. MOUNT STABILIZING BRACKETS OR STEEL PROTECTIVE GUARDS

- a. Position Bracket or Guard.
  - If Bracket:
    - \* Place Bracket on its side, flush to wall along top of level line, extending away from door opening (Figure 3a).
    - \* Position other Bracket leg along outside of Vertical Frame mark.
  - If Guard:
    - \* Determine left and right Protective Guards. The welded bracket goes to the side farthest away from door opening (Figure 3b).
    - \* Place top flat surface of Protective Guard along level line.
    - \* Place outside edge of Protective Guard 5/8" outside Vertical Frame mark.
- b. Bracket or Guard must be perpendicular to building wall, level, and square.
  - Shim if necessary.
- c. Bolt Bracket or Guard to wall.
  - If Bracket:
    - \* Use 1/4" x 1-1/4" concrete screw (supplied) or appropriate mounting hardware.
  - If Guard:
    - \* Recommend using 5/8" x 3-1/2" wedge anchor bolts or appropriate mounting hardware (not supplied).
- d. Repeat for other side.
- e. Make sure left and right Brackets or Guards are level to each other.



**FIG 3A**



**FIG 3B**

# INSTALLATION INSTRUCTIONS CONTINUED...

## 4. ATTACH MOUNTING BRACKETS TO VERTICAL FRAMES

a. Place Vertical Frames on clean, flat 2 x 4 supports.

- Place siding face down, wall edges to inside.

**NOTE:** Do not puncture or scratch siding.

b. Position 4-hole Angle Bracket on Vertical Frame (Figure 4).

- Measure 6" in from Front Edge on top cross-member.

- Position 4-hole Mounting Bracket on bottom of cross-member.

\* The top of the Bracket will extend above the Vertical Frame.

- Attach the Mounting Bracket to the Vertical Frame with 1/4" self-drilling screws.

c. Repeat steps b, c, and d for other Vertical Frame.

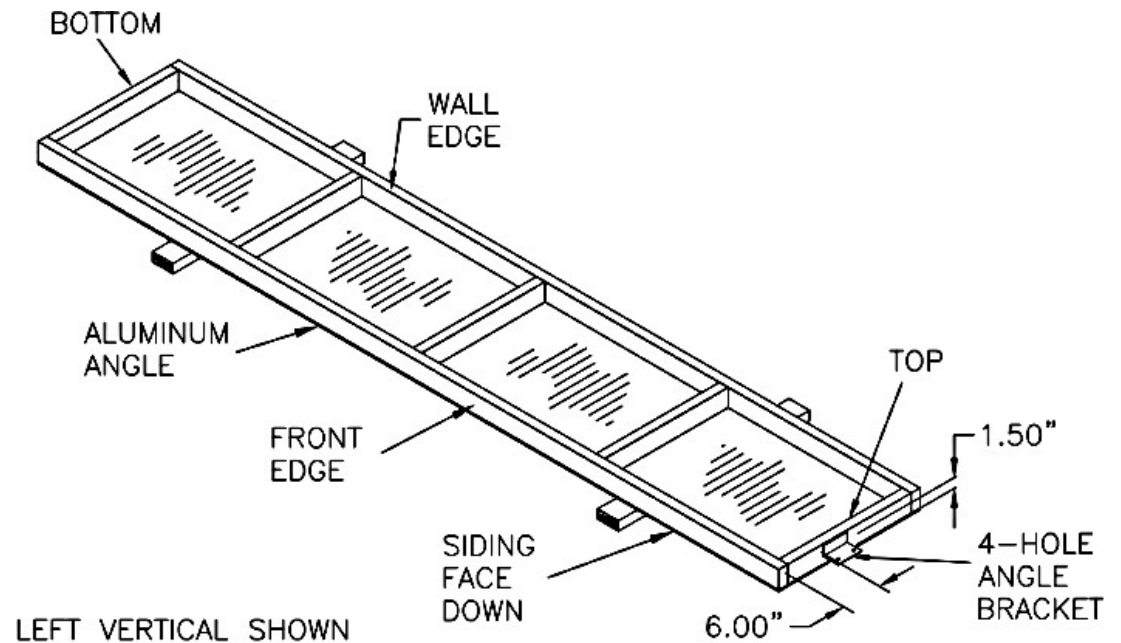
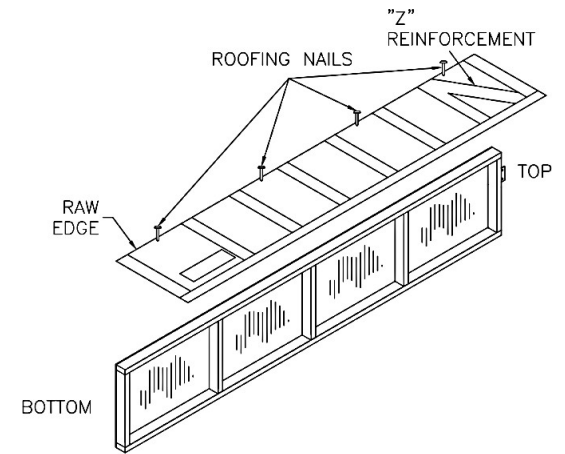


FIG 4

# INSTALLATION INSTRUCTIONS CONTINUED...

## 5. ATTACH VERTICAL PANELS TO VERTICAL FRAMES

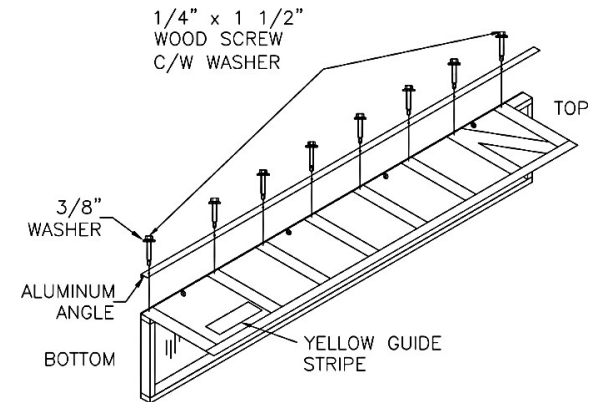
- a. Remove Aluminum Angle from front edge.
  - Rest Vertical Frame on wall edge and Mounting Brackets.
- b. Determine left and right Vertical Panels.
  - Raw edge attaches to Vertical Frame.
  - Yellow stripe appears at bottom and "Z" reinforcement appears at the top.
- c. Position and secure Vertical Panel.
  - Place bottom of Vertical Panel flush with bottom of Vertical Frame (Figure 5a).
  - \* Raw edge flush with frame edge.
  - Secure at bottom with #10" self-drilling screw and 1/4" washer.
  - \* Do not put screw through stay.
  - Spread rest of Vertical Panel along Vertical Frame.
  - \* Keep flush with frame edge, ensuring a tight fit.
  - \* Vertical Panel will be shorter than the Vertical Frame.
  - Secure Vertical Panel between stays with three (3) other evenly spaced Roofing Nails.



**FIG 5A**

## 6. RE-ATTACH ALUMINUM ANGLE TO FRONT EDGE OF VERTICAL PANEL

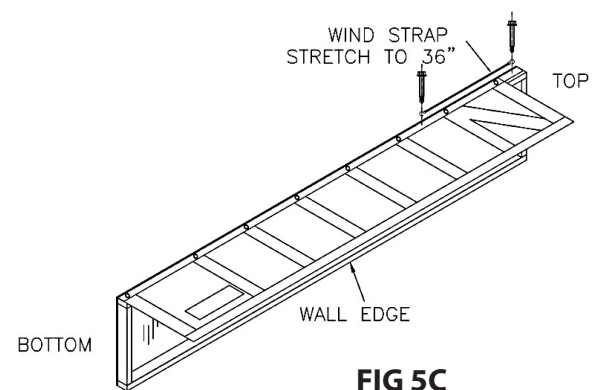
- a. Match holes in Aluminum Angle with holes in Vertical Panel stays (Figure 5b).
- b. Attach to Vertical Frame using 1/4" self-drilling screws and 3/8" washers.



**FIG 5B**

## 7. ATTACH WIND STRAP TO ALUMINUM ANGLE.

- a. Place Wind Strap "S" hook at hole at top of Vertical Frame (Figure 5c).
- b. Attach "S" hook 1" down from top and 3/4" in from outside edge.
  - \* Use 1/4" Wood screw and 3/8" washer.
- c. Pull Wind Strap down 36" along Aluminum Angle or until taut.
- d. Attach bottom "S" hook 3/4" in from outside edge.
  - \* Use 1/4" Wood screw and 3/8" washer.
- e. Repeat Steps 5, 6, and 7 for other Vertical Frame.



**FIG 5C**



# INSTALLATION INSTRUCTIONS CONTINUED...

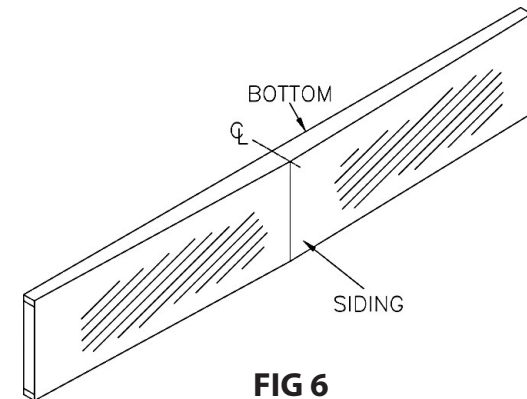
## 8. PREPARE HEAD FRAME

- a. Determine front from back on Head Frame.
  - The front has Aluminum Angle trim.
- b. Remove Aluminum Angle from front edge.
- c. Place Head Frame front down on clean, flat 2 x 4 supports.

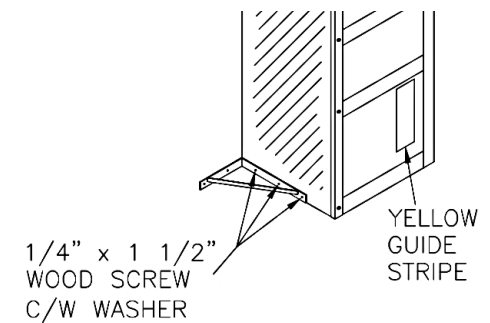
**NOTE:** Do not puncture or scratch siding.

## 9. ATTACH VERTICAL FRAMES TO WALL

- a. Position Vertical Frame.
  - If using Stabilizing Bracket (Figure 7a):
    - \* Frame to be typically mounted flush with dock floor. At vertical frame hole locations drill holes into wall to allow for 3/8" sleeve anchor bolts.
    - \* If desired, temporarily mount a bracket (not supplied) at Level Line and Vertical Frame mark to support Vertical Frame while attaching to wall.
    - \* Lift Vertical Frame up onto wall.
    - \* Place wall edge flush to wall.
    - \* Place Siding flush to Vertical Frame mark.
  - If using Steel Protective Guard (Figure 7b):
    - \* Lift Vertical Frame on top of Protective Guard.
    - \* Place wall edge flush to wall.
    - \* Place Siding flush to welded bracket on Protective Guard.
- b. Make sure Vertical Frame is plumb, level, and square.
- c. Fasten Vertical Frame to wall.
  - Insert sleeve anchor in hole locations and tighten.
  - Insert sleeve anchor or other appropriate mounting hardware into bottom Mounting Bracket hole.
- d. Attach Vertical Frame to Stabilizing Bracket or Protective Guard.
  - Insert 1/4" Wood screws into holes in Stabilizing Bracket or holes in welded bracket on Protective Guards.
  - Secure.
- e. Repeat for other Vertical Frame.

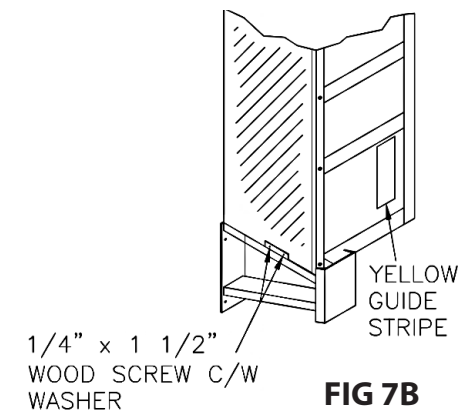


**FIG 6**



**FIG 7A**

LEFT VERTICAL  
SHOWN



**FIG 7B**



# INSTALLATION INSTRUCTIONS CONTINUED...

## 10. ATTACH HEAD FRAME TO VERTICAL FRAME

a. Lift Head Frame onto Vertical Frames.

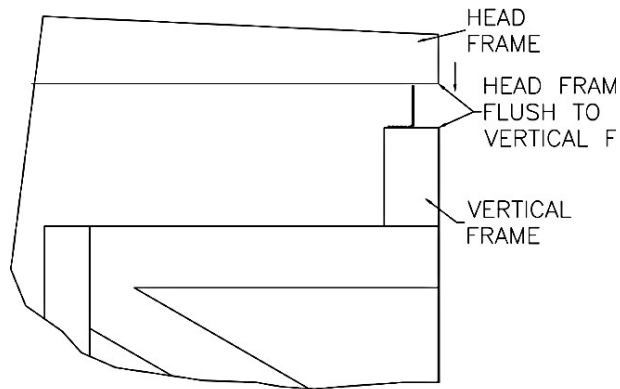
**NOTE:** Use appropriate, safe lifting method.

b. Place Head Frame on Vertical Frames.

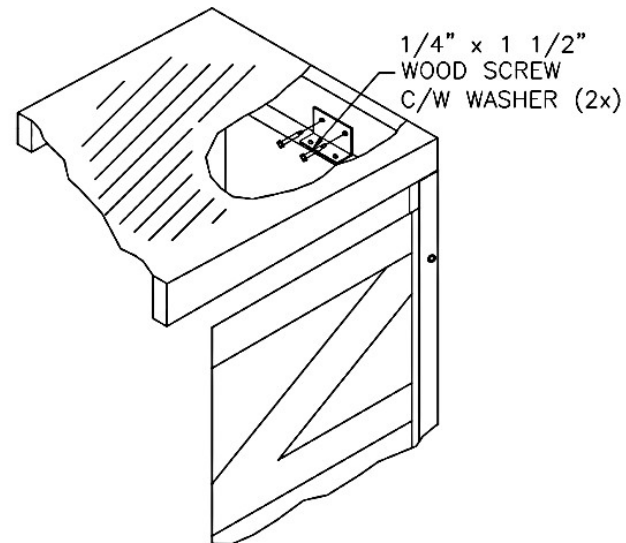
- Set Head Frame on outside of left and right Angle Brackets (Figure 8a).
- Position Head Frame flush to wall and flush to front of Vertical Frames.

c. Attach Head Frame to Vertical Frames (Figure 8b).

- Insert 1/4" Wood screws through Angle Brackets and secure.
  - \* Drill at top of Angle Bracket holes.
- Repeat for other side.



**FIG 8A**



**FIG 8B**

# INSTALLATION INSTRUCTIONS CONTINUED...

## 11. ATTACH HEAD FRAME AND VERTICAL FRAME TO WALL

a. Make sure entire shelter is plumb, level, and square (Figure 9a).

- Shim where necessary.

**NOTE:** This shelter must be plumb, level, and square to function properly.

b. Attach Head Frame to wall.

- Drill hole through center Mounting Bracket.

- Insert sleeve anchor or other appropriate mounting hardware into hole.

- Tighten.

- Repeat for left and right Mounting Brackets.

c. Attach Vertical Frames to wall.

- Drill holes through remaining Mounting Brackets (Figure 9b).

- Insert sleeve anchors or other appropriate mounting hardware into holes.

- Tighten.

- Repeat for other Vertical Frame.

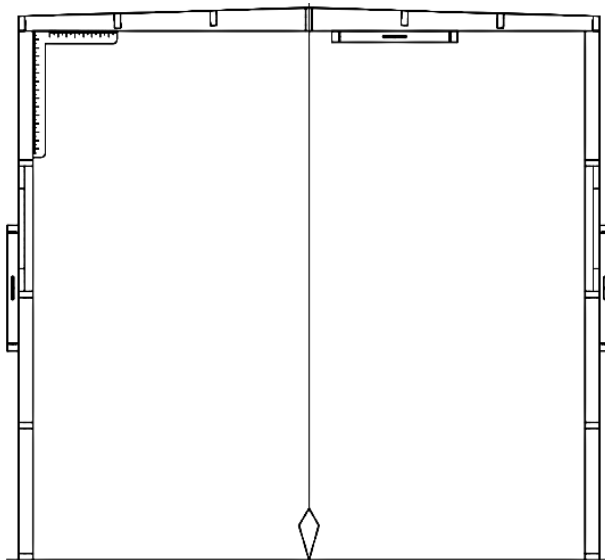


FIG 9A

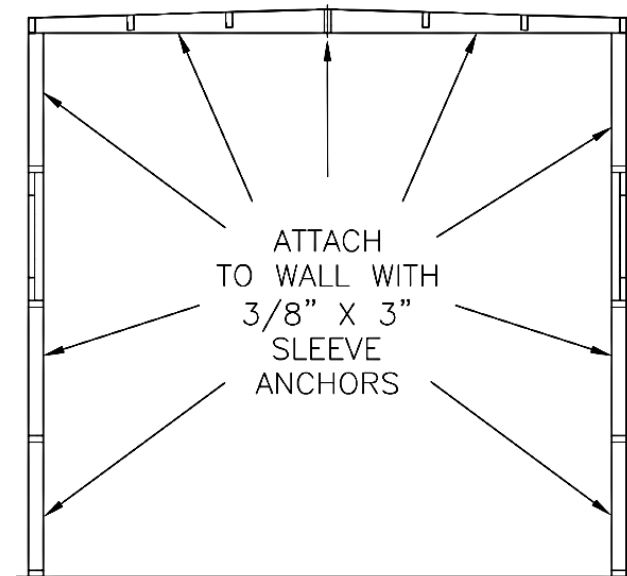


FIG 9B

# INSTALLATION INSTRUCTIONS CONTINUED...

- Attach 2 Wind Straps (supplied) to the top inside corners of the verticals by hooking the "S hook" through the grommets, Pull wind strap until taut and secure the end to the header frame using  $\frac{1}{4}$ " x  $1\frac{1}{2}$ " wood screws with  $\frac{3}{8}$ " washers (Figure 10a).

## 12. ATTACH HEADER CURTAIN TO HEAD FRAME

### a. Position and secure Header Curtain.

- Logo is on front of Header Curtain.
- Match top center of Header Curtain with top center of Head Frame (Figure 10a).
- \* Place raw edge flush to frame edge.
- Secure with Roofing Nails.
- Spread rest of Header Curtain along Head Frame.
- \* Keep flush with edge, ensuring a tight fit.
- \* Secure Header Curtain between stays with four (4) evenly spaced Roofing Nails

### b. Re-attach Aluminum Angle to front edge of Head Frame (Figure 10b).

- Match holes in Aluminum Angle with Header Curtain stays.
- Insert  $\frac{1}{4}$ " self-drilling screws and  $\frac{3}{8}$ " washers into holes.
- Insert  $\frac{1}{4}$ " Wood screws and  $\frac{3}{8}$ " washers into holes.
- Secure.

### c. Attach Header Curtain to bottom Head Frame member (Figure 10c).

- Insert  $\frac{1}{4}$ " Wood screws and  $\frac{3}{8}$ " washers through Header Curtain stays.

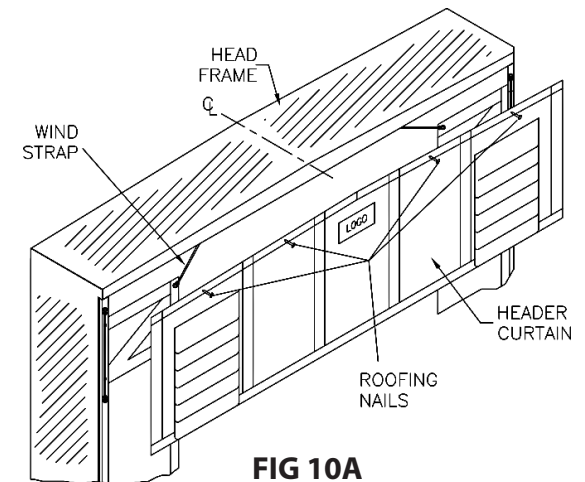


FIG 10A

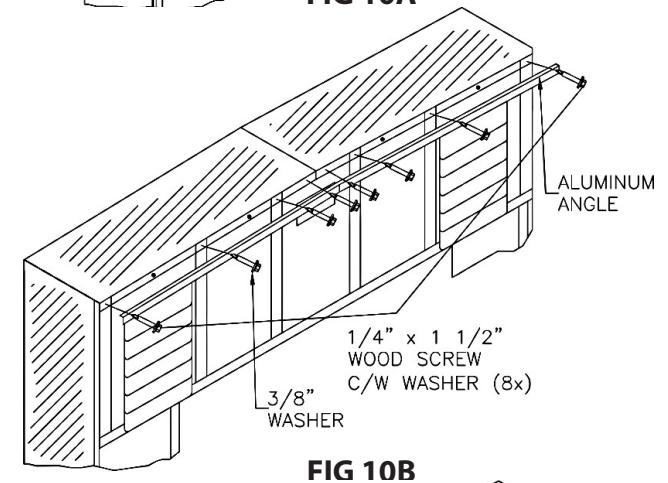


FIG 10B

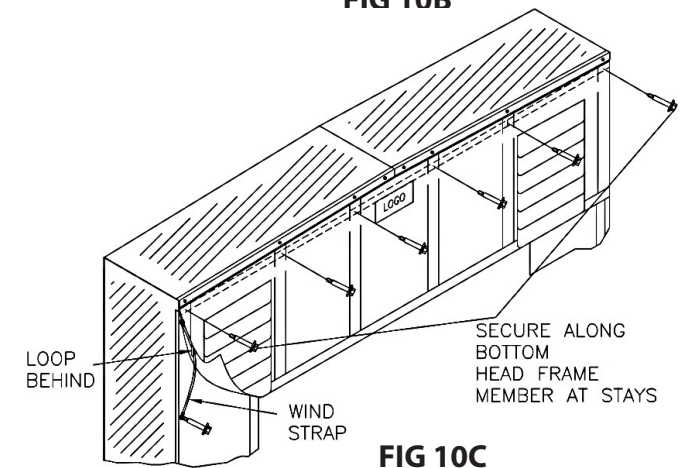


FIG 10C

# INSTALLATION INSTRUCTIONS CONTINUED...

## 14. ATTACH BOTTOM PADS, IF ORDERED

### a. Mark Bottom Pad.

- Place both Bottom Pads so that the No Step patch is facing up.
- Measure 1-1/2" above bottom of each pad (Figure 11a).
- Mark a horizontal line across the wide end of each Bottom Pad.

### b. Attach Mounting Brackets to Bottom Pad.

- Position two 4-Hole Mounting Brackets on Bottom Pad.
  - \* Place long side of Mounting Brackets against Bottom Pad.
  - \* Place corner flush to line.
  - \* Place outside edge of each Mounting Bracket 4" in from each side of Bottom Pad.
- Attach Mounting Brackets to Bottom Pad with #14 flat quad screws.
- Repeat for other Bottom Pad.

### c. Attach Bottom Pad to Vertical Frame.

- Place Bottom Pad along bottom of Vertical Frame (Figure 11b).
- Insert 1/4" self-drilling screws through Mounting Brackets and attach to Vertical Frame.
- Repeat for other side.

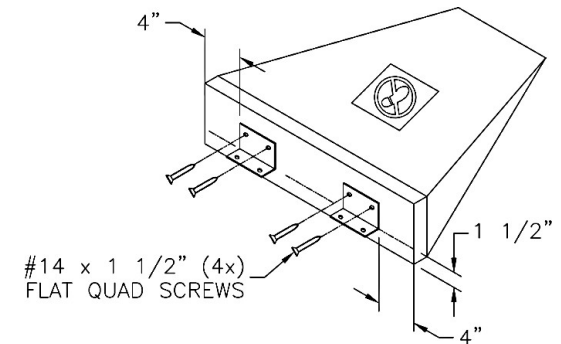


FIG 20

## 15. FINISH INSTALLATION

### a. Remove protective covering on siding, if present.

- Start at wall and work toward front.
- Do not scratch siding.

### b. Caulk between Head Frame and Wall.

- A silicon or butyl rubber caulk is recommended.

**\* NOTE:** If mounting on siding or on pre-cast concrete, fill in gaps with Styrofoam.

- Caulk along:

- \* Outside of Head Frame along Wall.
- \* Head Frame Aluminum Angle.
- Fill in any remaining gaps around unit as needed.

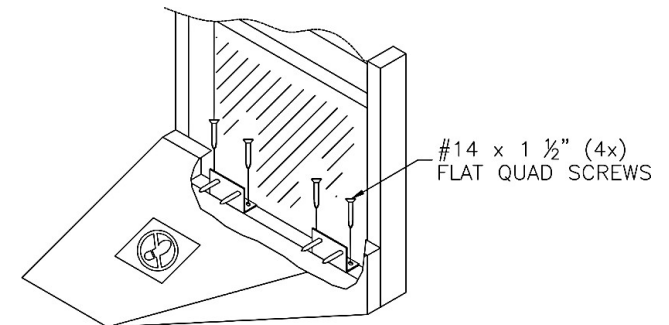


FIG 21