

**The Genuine. The Original.**



# ***Installation Instructions*** ***for Fixed Seal*** **MODEL LX10R**



**READ COMPLETE INSTRUCTIONS BEFORE INSTALLING DOCK SEAL OR SHELTER**

# IMPORTANT SAFETY INSTRUCTIONS

## DEFINITION OF KEY WORDS USED IN THIS MANUAL:

### **⚠ DANGER**

INDICATES A HAZARDOUS SITUATION THAT, IF NOT AVOIDED, WILL RESULT IN DEATH OR SERIOUS INJURY.

### **⚠ WARNING**

INDICATES A HAZARDOUS SITUATION THAT, IF NOT AVOIDED, COULD RESULT IN DEATH OR SERIOUS INJURY.

### **⚠ CAUTION**

INDICATES A HAZARDOUS SITUATION THAT, IF NOT AVOIDED, COULD RESULT IN MINOR OR MODERATE INJURY.

### **NOTICE**

INDICATES INFORMATION CONSIDERED IMPORTANT, THAT IT IS NOT RELATED TO INJURY, BUT MAY RESULT IN PROPERTY DAMAGE.

**IMPORTANT:** Required key step for proper door operation.

**NOTE:** Information only.

## INSTALLATION INSTRUCTIONS

### **⚠ WARNING**

**READ ALL INSTRUCTIONS BEFORE INSTALLING. OVERHEAD DOOR WILL NOT BE HELD RESPONSIBLE FOR IMPROPER INSTALLATION OF ANCHORING DEVICES OR FOR INSTALLATION INTO AGED OR UNSOUND CONCRETE, CONCRETE BLOCK, OR OTHER WALL OR FLOOR MATERIAL WHICH MAY RESULT IN PREMATURE PRODUCT WEAR, PRODUCT FAILURE, PROPERTY DAMAGE, OR PERSONAL INJURY.**

#### 1. Check Order

- Measure door opening height and width. Make sure dimensions match the Purchase Order.
- Check Parts List. Make sure all parts have been supplied.

#### 2. Suggested Mounting Methods:

- CONCRETE BLOCK OR BRICK WALL:** Use 3/8" x 1-7/8" expansion anchors. Use through bolt fastening if anchors will not hold – 3/8" threaded rod is recommended (supplied by others).
- PRECAST CONCRETE:** Same as above.
- METAL SIDING BUILDING:** Through bolt fastening as above (supplied by others). Use a back up plate (steel or wood) to support bolts. Another alternative is to use wood lags with back plate from inside building to back of seal.

# INSTALLATION INSTRUCTIONS CONTINUED...

## 3. Determine Centerline of Door Opening and Head Pad

- a. Locate centerline of door opening and mark on dock floor.
- b. Take 1/2 the head pad width and mark this distance on both sides of the door centerline.

**NOTE:** This will determine the outside position of each vertical pad.

## 4. Attach Mounting Brackets to Vertical Pads

- a. Before starting: Please make note that the flat top signifies the top of the vertical pad and the bottom is signified by a taper cut with accompanying brass plated grommets (See fig.)
- b. Fasten galvanized steel flat brackets, using No. 14 wood screws, to outside perimeter of each vertical pad.
- c. Fasten galvanized steel angle brackets to the inside perimeter of each vertical pad using No. 14 wood screws (See Flat & Angle Bracket Mounting Detail).

**NOTE:** Final location of the bracket to be determined by the installer to suit spacing of the mortar joints or other wall configurations.

## 5. Position Vertical Pads

- a. The outside dimension of the vertical pads must be the same as the width of the head pad.
- b. The bottom of the wood backing of the vertical pads should be even with the dock floor or at the top of "above dock bumpers" on low docks.
- c. Vertical pads must be plumb from top to bottom.

**NOTE:** Location of the vertical pads should be checked and confirmed with Customer or Sales Agent in order to ensure proper location.

## 6. Mount Vertical Pads to Wall

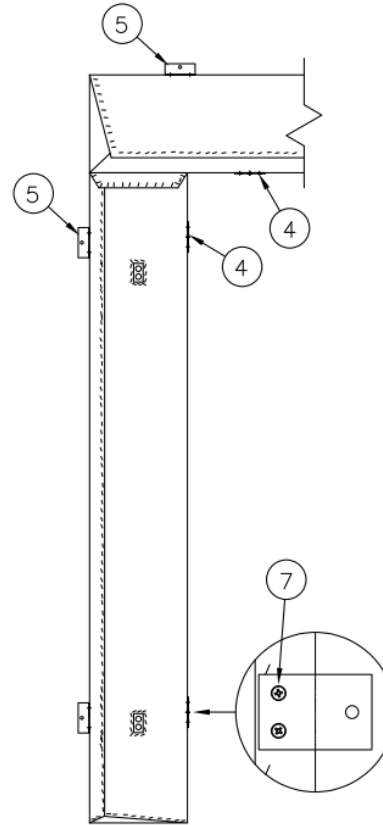
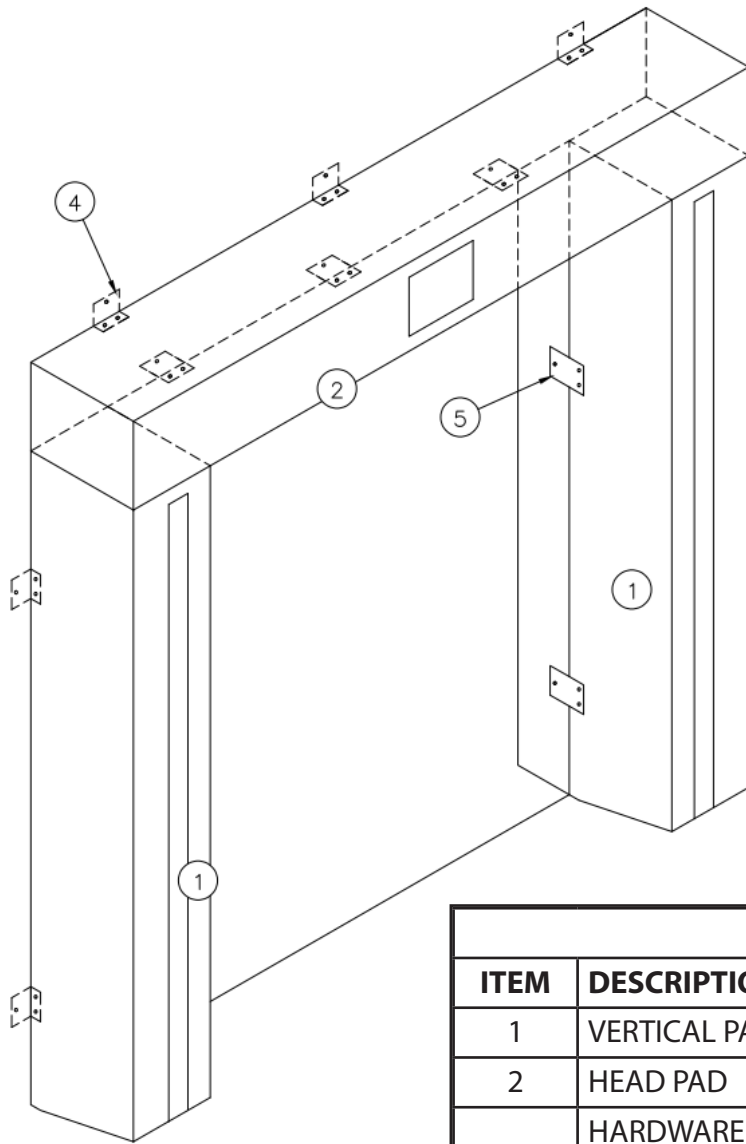
- a. Once the vertical pad is in position, drive a 3/8" sleeve anchor bolt (See fig.) through the upper and lower brackets.
- b. Once complete, repeat for remaining vertical pad.

## 7. Mount Head Pad to Wall

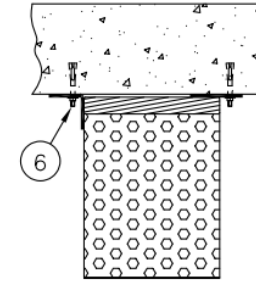
- a. Place Head Pad on top of vertical pads, ensuring the ends are flush with the vertical pads, and drive 3/8" sleeve anchor bolts through both flat brackets and through both angle brackets.

## 8. Caulk between Top of Header Pad and Wall.

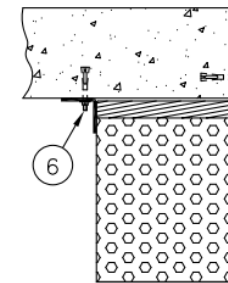
# INSTALLATION INSTRUCTIONS CONTINUED...



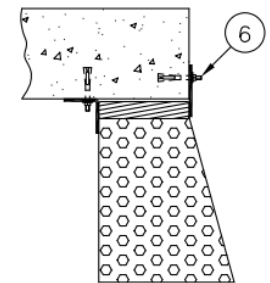
BACK VIEW



OFFSET MOUNTING



CUBED



WEDGED

FLAT & ANGLE BRACKET  
INSTALLATION

| PARTS LIST |                                 |      |
|------------|---------------------------------|------|
| ITEM       | DESCRIPTION                     | QTY. |
| 1          | VERTICAL PAD                    | 2    |
| 2          | HEAD PAD                        | 1    |
|            | HARDWARE BOX                    |      |
| 4          | ANGLE MOUNTING BRACKET - 3 HOLE | 7    |
| 5          | FLAT MOUNTING BRACKET           | 7    |
| 6          | 3/8" SLEEVE ANCHOR BOLTS        | 14   |
| 7          | NO. 14 WOOD SCREWS              | 28   |

# INSTALLATION INSTRUCTIONS CONTINUED...

**NOTE:** If projection boxes are provided, attach pads to projection boxes with angle brackets (fig. 1), Then use the flat and angle brackets on the back face of the projection box (fig. 2).

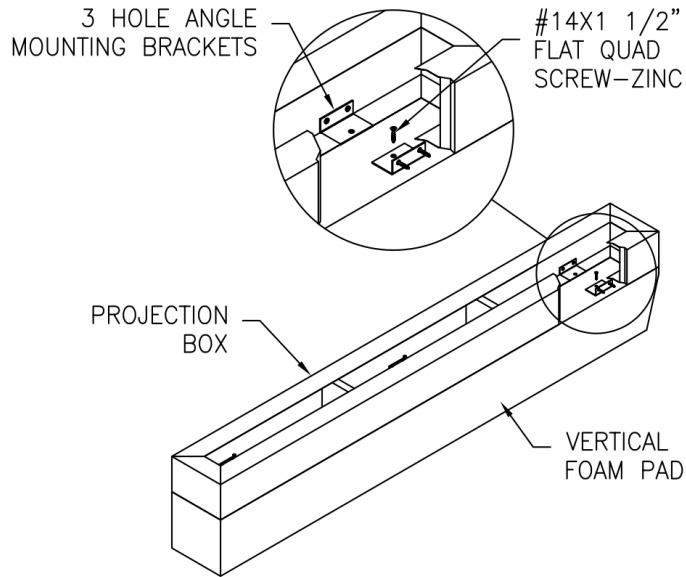


FIG. 1

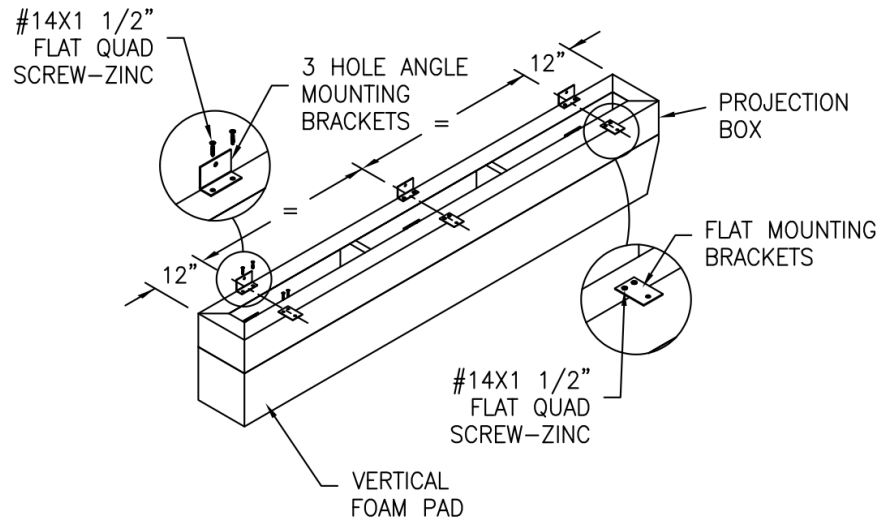


FIG. 2

**NOTE:** Final location of the bracket to be determined by the installer (fig. 2) Mounting dimensions are a reference only, to suit spacing of the mortar joints or other wall configurations.

| PROJECTION BOX (OPTION) |                                 |      |
|-------------------------|---------------------------------|------|
| ITEM                    | DESCRIPTION                     | QTY. |
| 1                       | VERTICAL PROJECTION BOX         | 2    |
| 2                       | HEAD PROJECTION BOX             | 1    |
|                         | HARDWARE BOX                    |      |
| 4                       | ANGLE MOUNTING BRACKET - 3 HOLE | 12   |
|                         | (IF PAD HEIGHT IS 120" OR MORE) | 18   |
| 5                       | NO. 14 WOOD SCREWS              | 24   |
|                         | (IF PAD HEIGHT IS 120" OR MORE) | 36   |