

FIXED DOCK SEAL - LX10R



PROVIDES SEAL BETWEEN THE INTERIOR AND EXTERIOR OF THE OPENING

This seal helps keep out weather and saves on heating/cooling costs. The trailer compresses the foam top pad and side columns of this seal.

High Quality Construction

- The fabric is double stitched with high strength polyester thread that has been UV treated for long term durability
- The columns and top pad have premium grade foam with full compression and recovery properties in temperatures as low as -40°F
- The fire resistant foam is continuously bonded to the backing with a non-flammable adhesive with elastic properties for long life
- Plated vent openings drain moisture and promote air circulation for compression in the vertical columns and top pad

Fabric Advantages

- Made of fire resistant fabric and available in multiple weights including a premium 40 oz fabric that has 6 times more abrasion resistance
- All fabrics are treated with UV protection to help prevent fading

Additional Trailer Impact and Abrasion Protection

- Optional column wear pleats provide additional tearing and abrasion protection
- Heavy duty 66 oz. wear pleats on the top and bottom corners also available

Optional 4 Sided Weather Protection

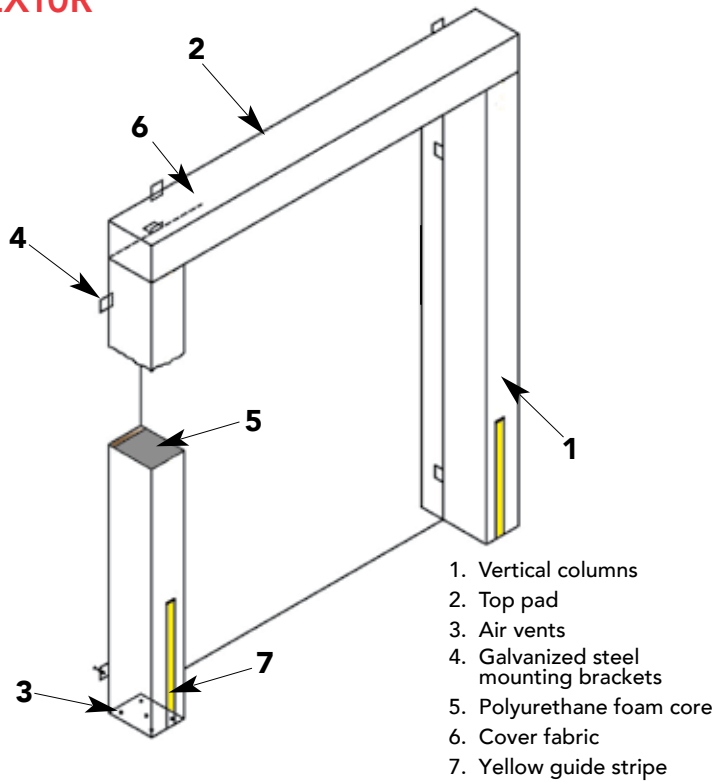
- At docks where there is no leveler, a bottom seal pad can provide a seal on all four sides of the opening along with the side columns and top pad

1-Year Limited Warranty



Fixed Dock Seal

LX10R



BACK COLUMN WIDTH	FRONT COLUMN WIDTH
10"	10"
12"	12"
8"	11"
8"	14"
12"	15"
12"	18"

COMMON APPLICATION	
Dock Height	48" with level drive
Trailer Width	8'0" to 8'6"
Trailer Height	12'0" to 13'0"
Door Opening	Up to 9'w x 10'h

DIMENSIONS	STANDARD	OPTIONAL
Column Height 8'	✓	
Column Height 7'6" to 9'		✓
Top Pad 12" High	✓	
Taller Top Pad 15" or 18"		✓
Top Pad Width 6'4" to 11'		✓
CURTAIN		
Velcro Hold Curtain Fabric or PVC (Drop: 12"/18"/24")		✓
PROJECTION		
Projection 10"	✓	
Other Projection 8" - 20"		✓
Projection Box 4"/6"/8"/10"/12"		✓
Taper Projection 8" - 20" top or bottom		✓
FABRIC WEIGHT & COLOR		
22 oz (Black, Blue, Gray, Green, Brown)		✓
40 oz Regular (Black, Blue, Gray, Green, Red, Brown)		✓
40 oz Premium (Black)		✓
DOUBLE LAYER FABRIC		
* Double layer of fabric on impact area of columns		✓
FRAME		
Treated Lumber	✓	
Galvanized Steel		✓
DRAFT CONTROL		
Two bottom draft flaps	✓	
BOTTOM SEAL PAD		
4' or 8' Long		✓
GUIDE STRIPES		
24" High	✓	
Full Height		✓
MOUNTING		
Galvanized Mounting Hardware	✓	
SCUFF GUARDS		
Scuff Guards (40 oz Premium, Black)		✓
48" tall additional layer of fabric inside columns		✓
SECURITY SEAL		
4' or 8' High		✓
WEAR PLEATS		
Wear Pleats 4"/8"/16" Exposure (same weight/color available as above)		✓
Heavy Duty 66 oz Top and Bottom Corner Pleats, 4" exposure (Black, Blue, Orange)		✓

* Available in all 22 oz and 40 oz fabrics and colors



2501 S. State Hwy. 121 Bus., Suite 200, Lewisville, TX 75067
 1-800-929-DOOR • sales@overhaddoor.com
 overhaddoor.com

