

ADJUSTABLE CURTAIN SEAL - LC20R



ADJUSTABLE CURTAIN SEAL ACCOMMODATES MULTIPLE TRAILER HEIGHTS

Our seal with an adjustable top curtain is designed to accommodate varying trailer heights while providing superior weather protection. Save on heating/cooling costs with this innovative solution that closes gaps and helps protect against harsh weather.

Adjustable Curtain Heights

- Available with up to a 60" drop
- Full width steel tube that prevents curtain sagging
- With a rope and pulley assembly, the curtain adjusts to different trailer heights to help aid thermal efficiency. In lieu of curtain fabric, low temperature PVC strips can be ordered for cold weather applications

High Quality Construction

- The fabric is double stitched with high strength polyester thread that has been UV treated for long term durability
- The columns have premium grade foam with full compression and recovery properties in temperatures as low as -40°F
- The fire resistant foam is continuously bonded to the backing with a non-flammable adhesive with elastic properties for long life
- Plated vent openings drain moisture and promote air circulation for compression in the vertical columns

Fabric Advantages

- Made of fire resistant fabric and available in multiple weights including a premium 40 oz fabric that has 6 times more abrasion resistance. All fabrics are treated with UV protection to help prevent fading

Additional Trailer Impact and Abrasion Protection

- Optional column wear pleats provide additional tearing and abrasion protection. Heavy duty 66 oz. wear pleats on the top and bottom corners also available

Optional 4 Sided Weather Protection

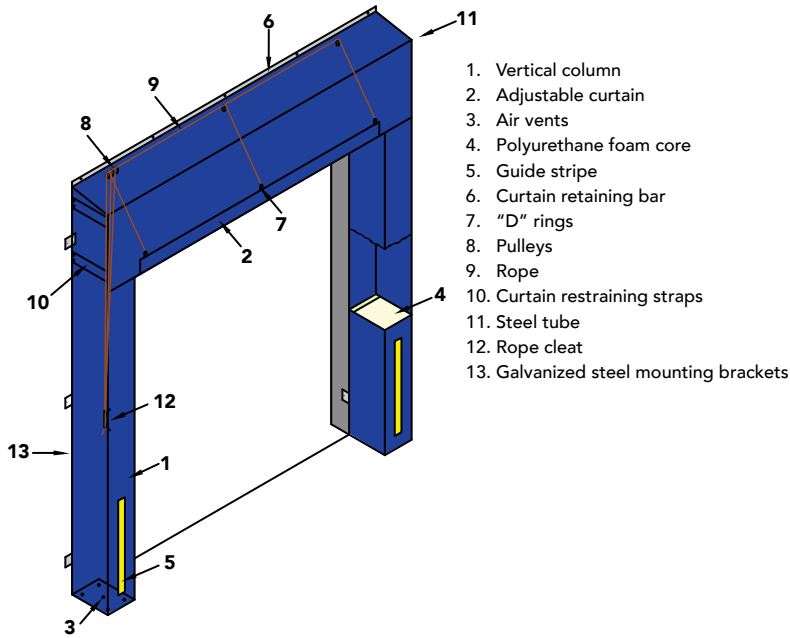
- At docks where there is no leveler, a bottom seal pad can provide a seal on all four sides of the opening along with the side columns and top pad

1-Year Limited Warranty



Adjustable Curtain Dock Seal

LC20R



1. Vertical column
2. Adjustable curtain
3. Air vents
4. Polyurethane foam core
5. Guide stripe
6. Curtain retaining bar
7. "D" rings
8. Pulleys
9. Rope
10. Curtain restraining straps
11. Steel tube
12. Rope cleat
13. Galvanized steel mounting brackets

BACK COLUMN WIDTH	FRONT COLUMN WIDTH
10"	10"
12"	12"
8"	11"
8"	14"
12"	15"
12"	18"
8"	20"

COMMON APPLICATION	
Dock Height	48" with level drive
Trailer Width	8'0" to 8'6"
Trailer Height	12'0" to 13'6"
Door Opening	Up to 10'w x 10'h

DIMENSIONS	STANDARD	OPTIONAL
Column Height 10'	✓	
Column Height 9' 6" - 12'		✓
CURTAIN		
Full Width Steel Tube	✓	
24" Adjustable Curtain	✓	
Other drops up to 60"		✓
24" Fixed Curtain		✓
Other drops 12" to 60"		✓
Split Curtain - Adjustable 24" to 48"		✓
Split Curtain - Fixed 12" to 48"		✓
Split Curtain - Velcro (adjustable or fixed)		✓
24" PVC Curtain Strips		✓
PROJECTION		
10" Projection	✓	
Other Projection 8" - 20"		✓
Projection Box 4"/6"/8"/10"/12"		✓
Taper Projection 8" - 20" top or bottom		✓
FABRIC WEIGHT & COLOR		
22 oz (Black, Blue, Gray, Green, Brown)		✓
40 oz Regular (Black, Blue, Gray, Green, Red, Brown)		✓
40 oz Premium (Black)		✓
DOUBLE LAYER FABRIC		
Double layer of fabric on impact area of columns (same weight/colors as above)		✓
FRAME		
Treated Lumber	✓	
Galvanized Steel		✓
BOTTOM SEAL PAD		
4' or 8' Long		✓
DRAFT CONTROL		
Two bottom draft flaps	✓	
GUIDE STRIPES		
24" High	✓	
Full Height		✓
MOUNTING		
Galvanized Mounting Hardware	✓	
SCUFF GUARDS		
Scuff Guards (40 oz Regular, Black) - 48" tall additional layer of fabric inside column		✓
SECURITY SEAL		
4' or 8' High		✓
WEAR PLEATS		
Wear pleats 4"/8"/16" exposure (same weight/color available as above)		✓
Heavy Duty 66 oz Top and Bottom Corner Pleats, 4" exposure (Black, Blue, Orange)		✓



2501 S. State Hwy. 121 Bus., Suite 200, Lewisville, TX 75067
1-800-929-DOOR • sales@overheaddoor.com
overheaddoor.com

