

# ADJUSTABLE CURTAIN SEAL - LC20R



## ADJUSTABLE CURTAIN SEAL ACCOMMODATES MULTIPLE TRAILER HEIGHTS

Our seal with an adjustable top curtain is designed to accommodate varying trailer heights while providing superior weather protection. Save on heating/cooling costs with this innovative solution that closes gaps and helps protect against harsh weather.

### Adjustable Curtain Heights

- Available with up to a 60" drop
- Full width steel tube that prevents curtain sagging
- With a rope and pulley assembly, the curtain adjusts to different trailer heights to help aid thermal efficiency. In lieu of curtain fabric, low temperature PVC strips can be ordered for cold weather applications

### High Quality Construction

- The fabric is double stitched with high strength polyester thread that has been UV treated for long term durability
- The columns have premium grade foam with full compression and recovery properties in temperatures as low as -40°F
- The fire resistant foam is continuously bonded to the backing with a non-flammable adhesive with elastic properties for long life
- Plated vent openings drain moisture and promote air circulation for compression in the vertical columns

### Fabric Advantages

- Made of fire resistant fabric and available in multiple weights including a premium 40 oz fabric that has 6 times more abrasion resistance. All fabrics are treated with UV protection to help prevent fading

### Additional Trailer Impact and Abrasion Protection

- Optional column wear pleats provide additional tearing and abrasion protection. Heavy duty 66 oz. wear pleats on the top and bottom corners also available

### Optional 4 Sided Weather Protection

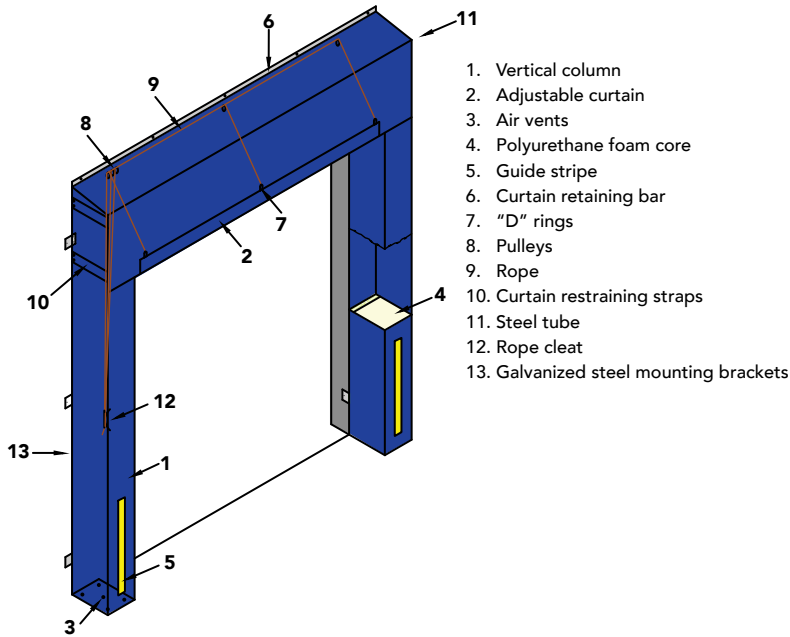
- At docks where there is no leveler, a bottom seal pad can provide a seal on all four sides of the opening along the side columns and top pad

### 1-Year Limited Warranty



# Adjustable Curtain Dock Seal

## LC20R



BACK COLUMN WIDTH	FRONT COLUMN WIDTH
10"	10"
12"	12"
8"	11"
8"	14"
12"	15"
12"	18"
8"	20"

DIMENSIONS	STANDARD	OPTIONAL
Column Height 10'	✓	
Column Height 9' 6" - 12'		✓
<b>CURTAIN</b>		
Full Width Steel Tube	✓	
24" Adjustable Curtain	✓	
Other drops up to 60"		✓
24" Fixed Curtain		✓
Other drops 12" to 60"		✓
Split Curtain - Adjustable 24" to 48"		✓
Split Curtain - Fixed 12" to 48"		✓
Split Curtain - Velcro (adjustable or fixed)		✓
24" PVC Curtain Strips		✓
<b>PROJECTION</b>		
10" Projection	✓	
Other Projection 8" - 20"		✓
Projection Box 4"/6"/8"/10"/12"		✓
Taper Projection 8" - 20" top or bottom		✓
<b>FABRIC WEIGHT &amp; COLOR</b>		
22 oz (Black, Blue, Gray, Green, Brown)		✓
40 oz Regular (Black, Blue, Gray, Green, Red, Brown)		✓
40 oz Premium (Black)		✓
<b>DOUBLE LAYER FABRIC</b>		
Double layer of fabric on impact area of columns (same weight/colors as above)		✓
<b>FRAME</b>		
Treated Lumber	✓	
Galvanized Steel		✓
<b>BOTTOM SEAL PAD</b>		
4' or 8' Long		✓
<b>DRAFT CONTROL</b>		
Two bottom draft flaps	✓	
<b>GUIDE STRIPES</b>		
24" High	✓	
Full Height		✓
<b>MOUNTING</b>		
Galvanized Mounting Hardware	✓	
<b>SCUFF GUARDS</b>		
Scuff Guards (40 oz Regular, Black) - 48" tall additional layer of fabric inside column		✓
<b>SECURITY SEAL</b>		
4' or 8' High		✓
<b>WEAR PLEATS</b>		
Wear pleats 4"/8"/16" exposure (same weight/color available as above)		✓
Heavy Duty 66 oz Top and Bottom Corner Pleats, 4" exposure (Black, Blue, Orange)		✓



2501 S. State Hwy. 121 Bus., Suite 200, Lewisville, TX 75067  
 1-800-929-DOOR • sales@overhaddoor.com  
 overhaddoor.com

