

# RLD Trolley

## LIGHT-DUTY TROLLEY



The RLD Trolley for sectional doors is designed for standard-lift doors that have up to a 12-cycle/hour and less than a 30-cycle/day requirement. Designed for reliability with leading innovative features, the light-duty trolley sets a new standard in the industry.

### RLD Trolley Advantages

- Industry's strongest 140 VDC motor
- CodeDodger® dual frequency automatically adjusts between 315 and 390 MHz to help avoid remote control interference
- DoorDetect® Monitoring and Diagnostic Technology - Operator force profile detects irregularities in operation of the door to identify unsafe door operation. The force profile is updated every cycle to account for changes in weather and temperature
- Power on demand gives the operator the ability to adjust output power during key movements of the door's travel to ensure a smooth and consistent movement.
- Smart illumination lighting positions the 2-bulb lighting system towards the inside of the garage instead of at the door for light where its needed
- Heavy-duty double c-channel rails allow for operation of heavy doors with minimal deflection of the door system
- Sure-Lock™ Control allows for operator lock out when door operation isn't required. Manually toggled feature on the wired wall console
- Optional battery backup can be added at anytime

### Construction

- **Motor**  
Quiet, powerful 140 VDC with usage-based thermal shutdown.
- **Drive**  
Primary — Integrated worm gear in motor  
Secondary — Internal chain and sprocket
- **Emergency Disconnect**  
Draw bar arm disconnection for emergency manual operation
- **Pre-wired to accept:**
  - Single button control station
  - Monitored photoeyes
- **Amperage Rating**  
120 VAC at 4 A
- **Power Cord**  
6 ft, three prong power cord

### UL 325 Listed

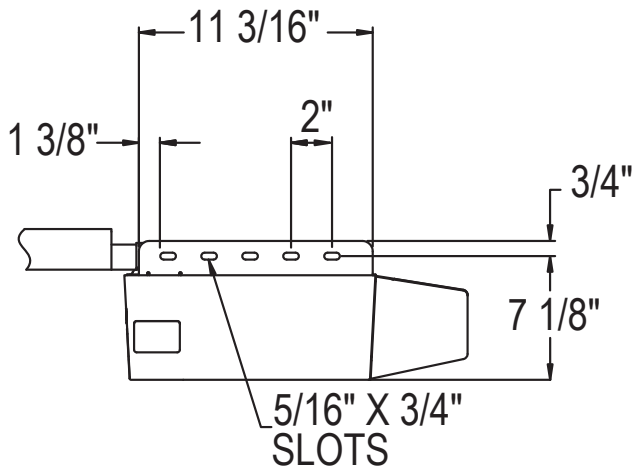
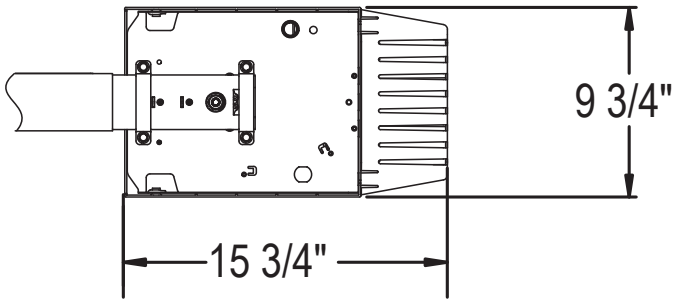
- Allows for monitored entrapment protection and momentary operation when used with select monitored entrapment devices



INDUSTRY LEADING  
COMMERCIAL & INDUSTRIAL SOLUTIONS

## Standard features at a glance

- Easy push to set limits
- UL 325 Listed for commercial and residential
- Automatic open and close door force settings
- Pull cord release for emergency manual operation
- Max door height of 14 ft
- Wired wall console included
- 2-year limited warranty
- Commercial photocells
- 7.5 in/sec door speed in both directions in most applications
- Can store up to 31 transmitters



## Optional Accessories

- **Battery Backup (P/N: 41590R)**  
Can be easily installed without unmounting the operator.
- **OHD Anywhere® (P/N: 42185S.S)**  
Operate and monitor the door from almost anywhere via a smart device.
- **Wireless Wall Console (P/N: 39903R)**  
The wireless wall console programs like a transmitter with none of the wires of the standard wired wall console. Can be installed anywhere in view of the operator with an included jogger button for a delayed door operation in 10, 20, or 30 seconds.
- **Wireless Keypad (P/N: 37225R)**  
Easy-to-use keypad mounts outside the door to allow for access to the door without a remote control. Back-lit keypad allows button presses to be easy to see, and can control up to 3 different operators.
- **UL 325 Approved Reversing Devices**  
The installation of a monitored external entrapment device is required for momentary contact close operation on all commercial door operators. The following devices, when purchased through Overhead Door Corporation, are UL Approved for use to meet this requirement:

- Safe-T-Beam® Photoeye Kit with adjustable bracket (P/N: 38176R.S)<sup>1</sup>
- Impact-protected Commercial Photoeye Kit (P/N: OPAKPE2.S)
- Retro-reflective NEMA 4X Photoeye Kit (P/N: OPRAKRPEN4X.S)
- MillerEdge ME/MT/CPT (DC or T3) 2-wire edge sensor. Must be used with Interface Module (P/N: OPAKMEIX.S)
- Light Curtain 3 ft. length (P/N: OPAKMLC3.S), or 6 ft. length (P/N: OPAKMLC6.S). Requires power pack for operation (P/N: 36238A.S)

<sup>1</sup> - Default device when operator is ordered.



INDUSTRY LEADING  
COMMERCIAL & INDUSTRIAL SOLUTIONS



2501 S. State Hwy. 121 Bus., Suite 200, Lewisville, TX 75067  
1-800-929-DOOR • sales@overheaddoor.com  
www.OverheadDoor.com