

RLD Jackshaft

LIGHT-DUTY JACKSHAFT FOR SECTIONAL DOORS



The RLD Jackshaft for sectional doors is designed for standard, high, and vertical-lift doors that have up to a 15-cycle/hour and less than a 30-cycle/day requirement. Designed for reliability with leading innovative features, the light-duty jackshaft sets a new standard in the industry.

RLD Jackshaft Advantages

- CodeDodger® 315/390 MHz receiver can store up to 255 standard and/or open/close/stop transmitters
- Soft start and stop reduces stress on the door and operator for improved life
- Safe-T-Pulse® - Internal cable slack detection eliminates external cable monitoring devices and reverses door travel when cable tension isn't detected for safety
- Operator force profile detects irregularities in operation of the door to identify unsafe door operation. The force profile is updated every cycle to account for changes in weather and temperature
- Precision sealed roller bearings on output shaft for improved power transfer
- Interlock circuit with pre-installed jumper
- Output shaft coupler utilizes six set screws with threadlocker to reduce shaft slippage and screw back outs
- Output shaft coupler can be used on 1" hollow or solid door shafts with 1/4" keyway
- Optional LED worklight may be toggled via the stop button on Open/Close/Stop control station when the door is inactive
- Small operator profile of 12" length by 6.9" width allows for use in tight applications. Only requires 2.5" of headroom clearance and 7" of side room clearance to be used

Construction

- **Motor**
Quiet, powerful 24 VDC with usage-based thermal shutdown
- **Drive**
Primary — Integrated worm gear in motor
Secondary — Internal chain and sprocket
- **Emergency Disconnect**
Drive shaft disconnection for emergency manual operation
- **Pre-wired to accept:**
 - Single or 3-button control stations
 - External interlock switch
 - Monitored photoeyes
- **Amperage Rating**
120 VAC at 4 A
- **Power Cord**
6 ft, three prong power cord

UL 325 Listed

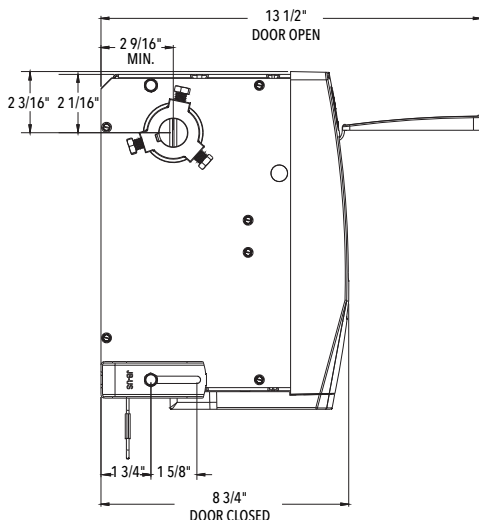
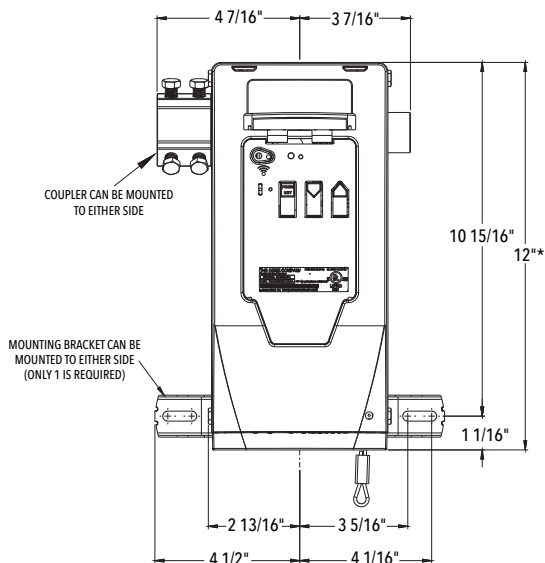
- Allows for monitored entrapment protection and momentary operation when used with select monitored entrapment devices



INDUSTRY LEADING
COMMERCIAL & INDUSTRIAL SOLUTIONS

Standard features at a glance

- Easy push to set limits
- UL 325 Listed
- Automatic open and close door force settings
- Open/Close/Stop control station
- Programmable mid-stop
- Time-to-close can be set at pre-defined values between 0 seconds and 5 minutes
- Pull cord release for emergency manual operation.
- 2-year limited warranty
- Commercial photocells
- 7.5 in/sec door speed in both directions in most applications
- Operational on doors up to 14 ft. tall with up to 84" of high-lift, 18 ft. wide, 180 sq ft., and 850 lbs

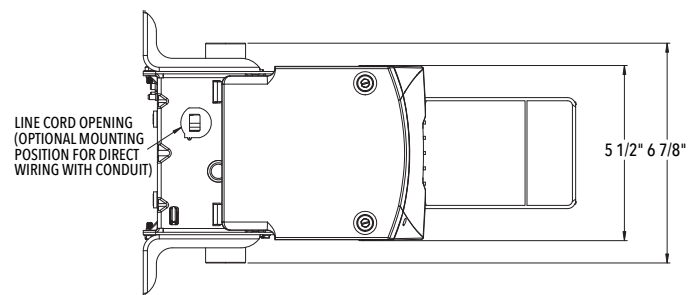


Optional Accessories

- **Optional Battery Backup (P/N: 41152T)**
Can be easily installed later. Not required to lift heavy doors.
- **Optional OHD Anywhere (P/N: 41153S)**
Operate and monitor the door from almost anywhere via a smart device. LED light fixture must be installed for remote operation.
- **Optional Electric Door Lock (P/N: 41149S)**
Automatically retracts lock before motor operation and activates the lock when reaching the close limit. Hole pattern made to fit many manual slide lock patterns without drilling track. Screw terminals for clean cable dressing.
- **Optional LED Light Fixture (P/N: 41151S)**
Round light reduces need to align during install. Cord can be hidden inside of the light fixture rim for cleaner installation. Must be installed for OHD Anywhere™ operation.
- **Optional 1:1 Sprocket Extension Kit (P/N: 40803R)**
Allows for indirect coupling to the operator if there are obstructions present that inhibit direct coupling.
- **Optional Power Extension Kit (P/N: 41194S)**
Provides full power to the operator with 30 ft. of Class II low voltage cable when there isn't an outlet available within 5 ft. of opener.
- **UL 325 Approved Reversing Devices**
The installation of a monitored external entrapment device is required for momentary contact close operation on all commercial door operators. The following devices, when purchased through Overhead Door Corporation, are UL Approved for use to meet this requirement:

- Safe-T-Beam® Photoeye Kit with adjustable bracket (P/N: 38176R.S)¹
- Impact-protected Commercial Photoeye Kit (P/N: OPAKPE2.S)
- Retro-reflective NEMA 4X Photoeye Kit (P/N: OPRAKRPEN4X.S)
- MillerEdge ME/MT/CPT (DC or T3) 2-wire edge sensor. Must be used with Interface Module (P/N: OPAKMEIX.S)
- Light Curtain 3 ft. length (P/N: OPAKMLC3.S), or 6 ft. length (P/N: OPAKMLC6.S). Requires power pack for operation (P/N: 36238A.S)

1 - Default device when operator is ordered.



*14 11/16" with BBU



INDUSTRY LEADING
COMMERCIAL & INDUSTRIAL SOLUTIONS



2501 S. State Hwy. 121 Bus., Suite 200, Lewisville, TX 75067
1-800-929-DOOR • sales@overheaddoor.com
www.OverheadDoor.com