

FIREKING® OPERATOR

HEAVY-DUTY GEAR HEAD HOIST FIREKING® OPERATOR



The FireKing® operator is designed for FireKing® rolling fire doors that have up to a 60-cycle/hour and greater than a 100-cycle/day requirement.

FireKing® Operator Advantages

- Voltamatic® - Order phase specific operator for the job and have the ability to select the right voltage on the job site.
 - Single Phase: 115/208/230 VAC
 - Three Phase: 208/230/460 VAC
 - Three Phase: 575 VAC only models also available
- Modular design with optional expansion boards for advanced timer to close, edge sensing, and auxiliary output functionality.
- LCD display with intuitive setup menu. Provides real-time status and trouble-shooting assistance.
- Internal receiver with the ability to individually add/delete up to 225 CodeDodger® transmitters directly from the LCD display.
- LimitLock® provides for push to set limits that remain synchronized with door even during long term loss of power.
- Open/close/stop and setup keys included on control board. Keeps all controls near the LCD display convenient for set up.

Standard Features

- Includes 9-tooth sprocket to attach limit chain to door.
- Continuous-duty AC motor with overload protection.
- LimitLock® electro-mechanical limits.
- Voltamatic® voltage simplification.
- Maximum run timer automatically adjusts to up and down run time.
- Heavy-duty worm gear running in oil bath.
- Delay on reverse.
- 16-character LCD display.
- UL 325 Listed.
- Advanced radio receiver displays and stores activation by transmitter ID number on the LCD screen.
- 3-button control station.
- 2-year/20,000-cycle limited warranty.
- Programmable mid-stop.
- Emergency hoist for manual operation. Ships right hand from factory and is easily changed in the field.
- 24 VDC disc brake with progressive braking.
- Cycle count available via LCD screen.



**INDUSTRY EXPERTS,
DELIVERING TOTAL SOLUTIONS**

FireKing® Operator HEAVY-DUTY GEAR HEAD HOIST FIREKING® OPERATOR

MAX DOOR SIZE (SQ*FT) - ROLLING

Door Series		Steel Non-Insulated						Steel Insulated			Counter Doors		Grilles		FireKing® 2" Slat ⁴		FireKing® 3" Slat ⁴		FireKing® 3" Slat Insulated ⁴		Shutters	Sheet		
		16 GA.	18 GA.	20 GA.	22 GA.	24 GA.	26 GA.	18 GA.	20 GA.	22 GA.	Aluminum	STL/ SST	Aluminum	STL/ SST	20 GA.	22 GA.	16 GA.	18 GA.	20 GA.	22 GA.	20 GA.	22 GA.	Aluminum	26 GA.
HP/ Voltage	Max Door Wt. (lbs.)	250	277	277	333	360	360	194	194	222	126	126	360	280	210	270	128	144	166	220	120	128	N/A	320
1/2 HP	1310	318	420	420	548	636	N/A	244	244	303	N/A	N/A	580	380	320	355	176	188	246	272	160	180	N/A	400
1 HP	1650	962	1035	1152	1152	N/A	N/A	728	728	986	N/A	N/A	982	982	576	576	342	390	576	576	300	324	N/A	400
3 HP	3696																							

- Notes: 1. Maximum door weight, and not the square footage, is the critical factor in selecting the proper operator.
 2. Maximum door height: 24', for over 24' required contact factory.
 3. For "Commercial Steel Insulated" category, various "backer" options are available. The chart above is based in all cases on the thickest backer available.
 4. "PU-FIP" stands for "polyurethane, foamed-in-place". If no notation is present, insulation is "polystyrene laid-in-place".
 5. GCL-GH is UL Listed

Construction

- Motor**
Continuous-duty AC motor with overload protection
- Drive**
Heavy-duty worm gear running in oil bath.
- Brake**
24 VDC disc brake standard.
- Emergency Disconnect**
Emergency hoist for manual operation.

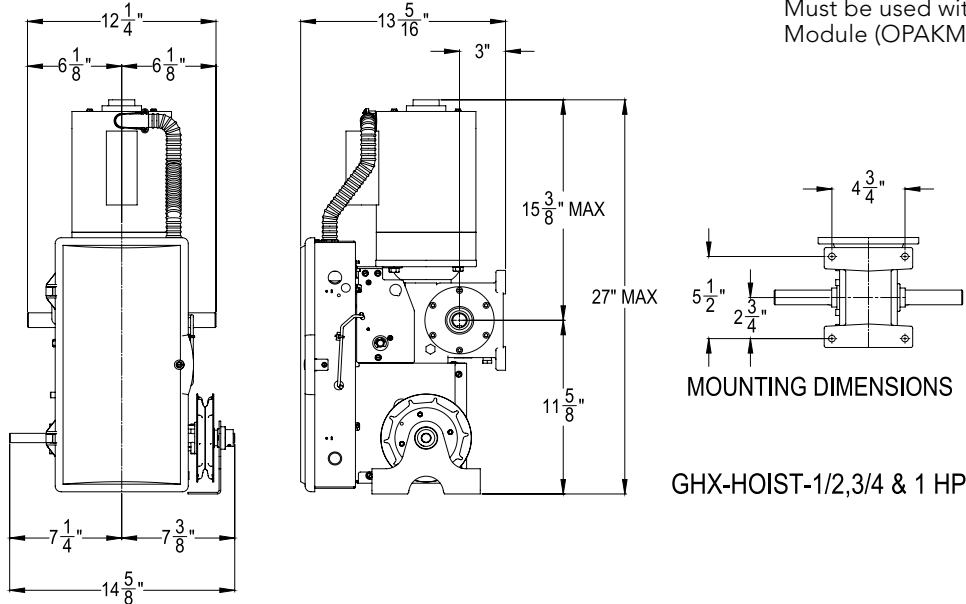
Accessories and Options

- Timer Close Module**
Timed close set via the LCD display from 2 seconds up to 5 minutes. Includes pre-close warning contacts, timer hold input, auxiliary open input, normally closed safety input, and monitored edge input.
- Auxiliary Output Module**
Provides relay contacts at the open, close, and mid-stop limits. Contacts for 5-minute lamp, and "ADA" contacts set via LCD display to warn during opening, closing or both.
- UL325 Listed Reversing Devices**
The installation of a monitored external entrapment device is required for momentary contact close operation on all commercial door operators. The following devices, when purchased through Overhead Door, are UL Approved for use to meet this requirement:

- MillerEdge ME/MT/CPT (DC or T3) 2-wire edge sensor. Must be used with TCM (OPABTCGX.S) or Interface Module (OPAKMEIGX.S).

AMPERAGE RATING - 60Hz

HP	115 1PH	208V 1PH	230V 1PH	208V 3PH	230V 3PH	460V 3PH	575V 3PH
1/2	10	5	5	3	3	3	2
1	14	7	7	4	4	3	2
3	N/A	N/A	N/A	11	10	6	5



**INDUSTRY EXPERTS,
DELIVERING TOTAL SOLUTIONS**

2501 S. State Hwy. 121 Bus., Suite 200, Lewisville, TX 75067
 1-800-929-DOOR • sales@overhaddoor.com
 www.OverheadDoor.com

