

LED LIGHT STEADY ON

PART NUMBER: 113480.000X.S



RED (X=4), GREEN (X=5), OR YELLOW (X=6) STEADY LED LIGHT

(Replace X in part number for wanted color part number)

Features

- IP65 Enclosure
- 1/4" Male Spade Terminals
- Panel or Conduit Mounting

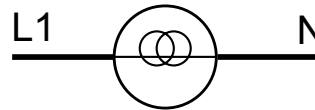
Specifications

- Light Rating: 115 VAC

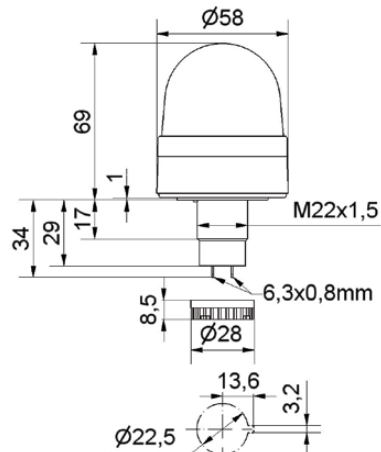
Agency approvals

- cUL Listed

Wiring Information



Technical Drawings



2501 S. State Hwy. 121 Bus., Suite 200, Lewisville, TX 75067
1-800-929-DOOR • sales@overheaddoor.com
overheaddoor.com

©2025 Overhead Door Corporation. Overhead Door is a trademark and the Red Ribbon logo and OHD Anywhere are registered trademarks of Overhead Door Corporation. All other trademarks are property of their rightful owners. Consistent with our policy of continuing product improvement, we reserve the right to change product specifications without notice or obligation. C900-1539 11/25



**INDUSTRY EXPERTS,
DELIVERING TOTAL SOLUTIONS**