

TRANSMITTER ONE BUTTON

PART NUMBER: 41539R



ONE BUTTON DUAL-FREQUENCY CYCLING TRANSMITTER

Features

- Rolling Code
- 315 & 390 Mhz

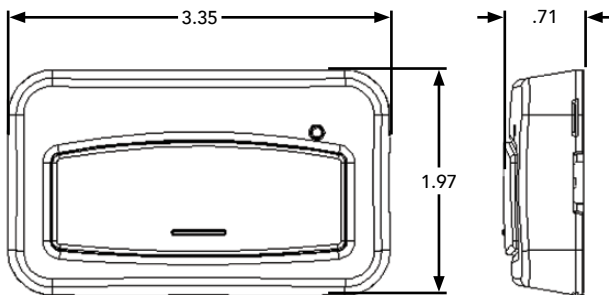
Specifications

- CR 2032

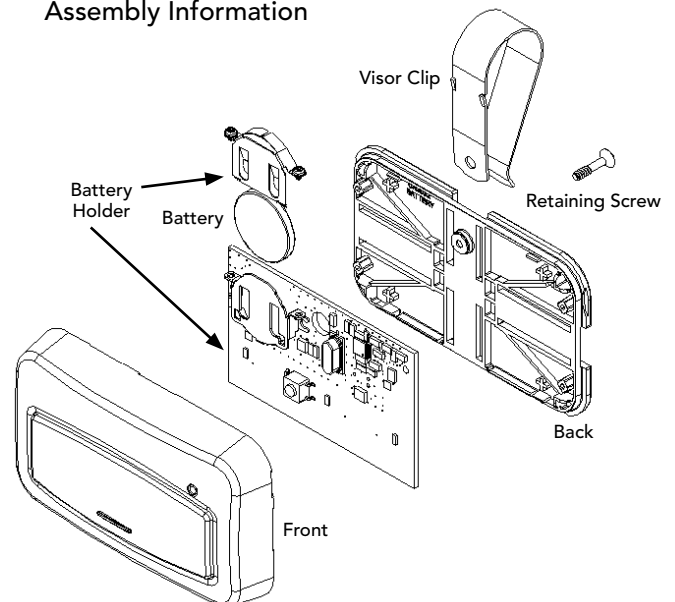
Agency approvals

- FCC Certified

Technical Drawings



Assembly Information



2501 S. State Hwy. 121 Bus., Suite 200, Lewisville, TX 75067
1-800-929-DOOR • sales@overhaddoor.com
overhaddoor.com

©2025 Overhead Door Corporation. Overhead Door is a trademark and the Red Ribbon logo and OHD Anywhere are registered trademarks of Overhead Door Corporation. All other trademarks are property of their rightful owners. Consistent with our policy of continuing product improvement, we reserve the right to change product specifications without notice or obligation. C900-1538 11/25



**INDUSTRY EXPERTS,
DELIVERING TOTAL SOLUTIONS**