

# TRANSMITTER OPEN-CLOSE-STOP

PART NUMBER: 41539V



## OPEN-CLOSE-STOP BUTTON DUAL-FREQUENCY CYCLING TRANSMITTER

### Features

- Rolling Code
- 315 & 390 Mhz

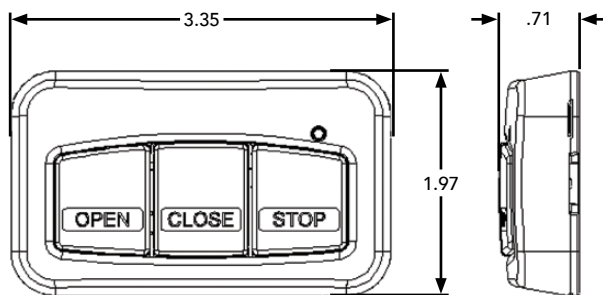
### Specifications

- CR 2032

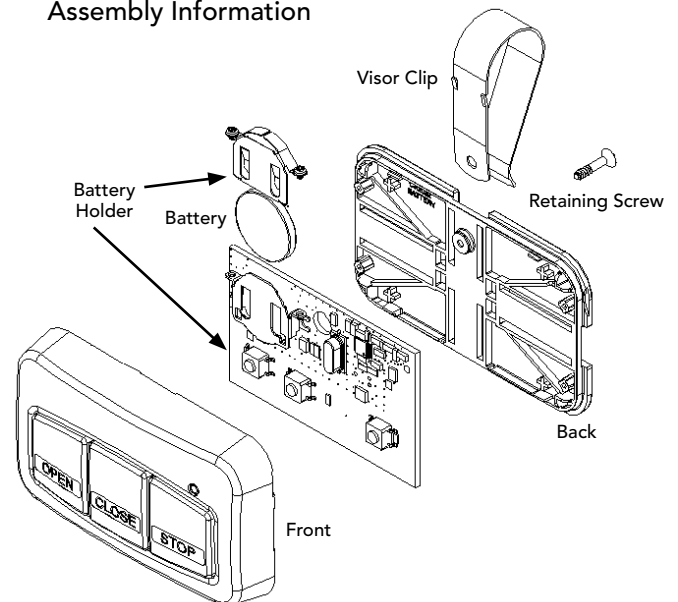
### Agency approvals

- FCC Certified

### Technical Drawings



### Assembly Information



2501 S. State Hwy. 121 Bus., Suite 200, Lewisville, TX 75067  
1-800-929-DOOR • sales@overhaddoor.com  
overhaddoor.com

©2025 Overhead Door Corporation. Overhead Door is a trademark and the Red Ribbon logo and OHD Anywhere are registered trademarks of Overhead Door Corporation. All other trademarks are property of their rightful owners. Consistent with our policy of continuing product improvement, we reserve the right to change product specifications without notice or obligation. C900-1534 11/25



**INDUSTRY EXPERTS,  
DELIVERING TOTAL SOLUTIONS**