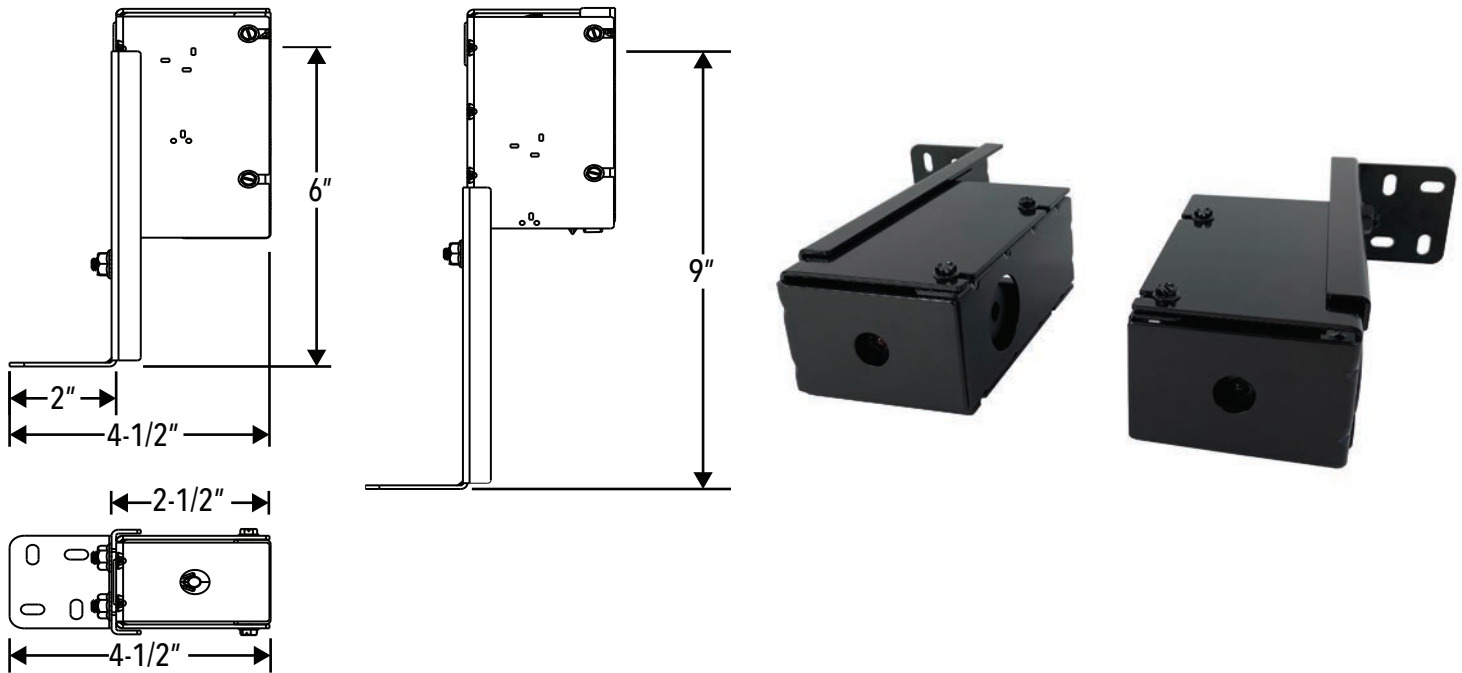


# PHOTOCELLS - METAL PROTECTED

PART NUMBER: OPAKPE2.S



## IMPACT PROTECTED MONITORED PHOTOCELLS

### Features

- Adjustable from 6" to 9"
- Two wire installation
- Conduit connection

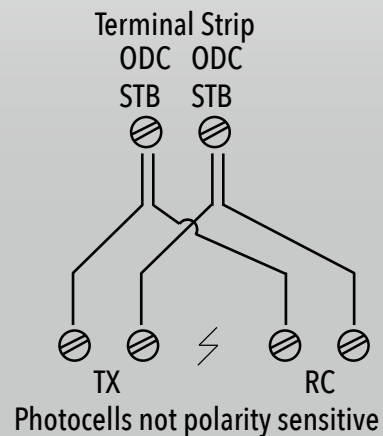
### Specifications

- Metal frame for impact protection

### Agency approvals

- UL Listed

### Wiring information



2501 S. State Hwy. 121 Bus., Suite 200, Lewisville, TX 75067  
1-800-929-DOOR • sales@overhaddoor.com  
overhaddoor.com

©2022 Overhead Door Corporation. Overhead Door is a trademark and the Red Ribbon logo is a registered trademark of Overhead Door Corporation. All other trademarks are property of their rightful owners. Consistent with our policy of continuing product improvement, we reserve the right to change product specifications without notice or obligation. C900-1347 03/22



INDUSTRY LEADING  
COMMERCIAL & INDUSTRIAL SOLUTIONS