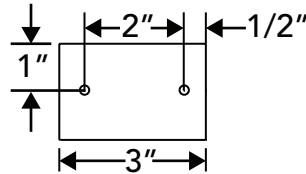
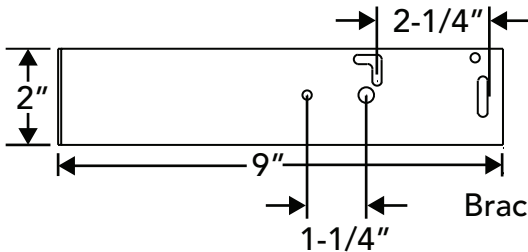
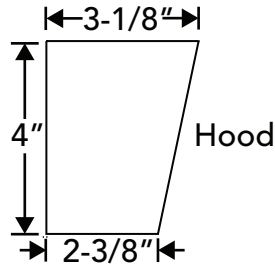
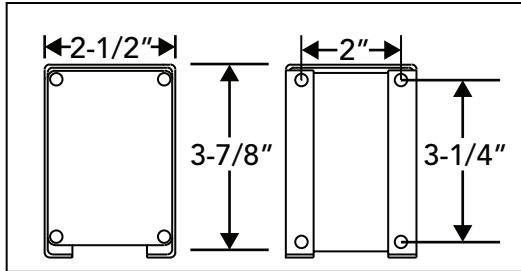


PHOTOCELLS - THRU-BEAM WITH HOOD

PART NUMBER:110356.0001.S

Photocell Module



Bracket Hardware

COMMERICAL THRU-BEAM PHOTOCELLS WITH HOODS

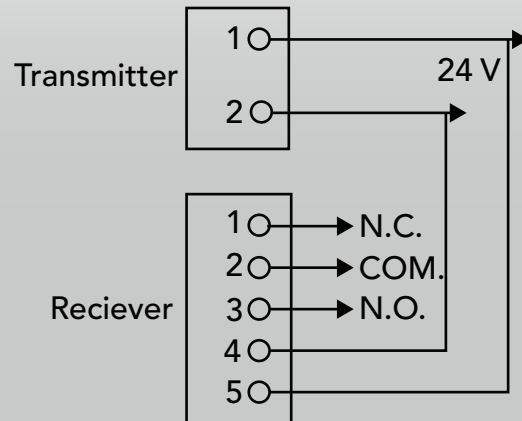
Features

- NEMA 4
- Protective hoods
- Mounting brackets
- 75' range

Specifications

- Power requirements: 12-24 VAC/VDC
- Relay output: 5 A @ 25 VAC

Wiring information



2501 S. State Hwy. 121 Bus., Suite 200, Lewisville, TX 75067
 1-800-929-DOOR • sales@overhaddoor.com
 overhaddoor.com

©2022 Overhead Door Corporation. Overhead Door is a trademark and the Red Ribbon logo is a registered trademark of Overhead Door Corporation. All other trademarks are property of their rightful owners. Consistent with our policy of continuing product improvement, we reserve the right to change product specifications without notice or obligation. C900-1337 02/22



INDUSTRY LEADING
 COMMERCIAL & INDUSTRIAL SOLUTIONS