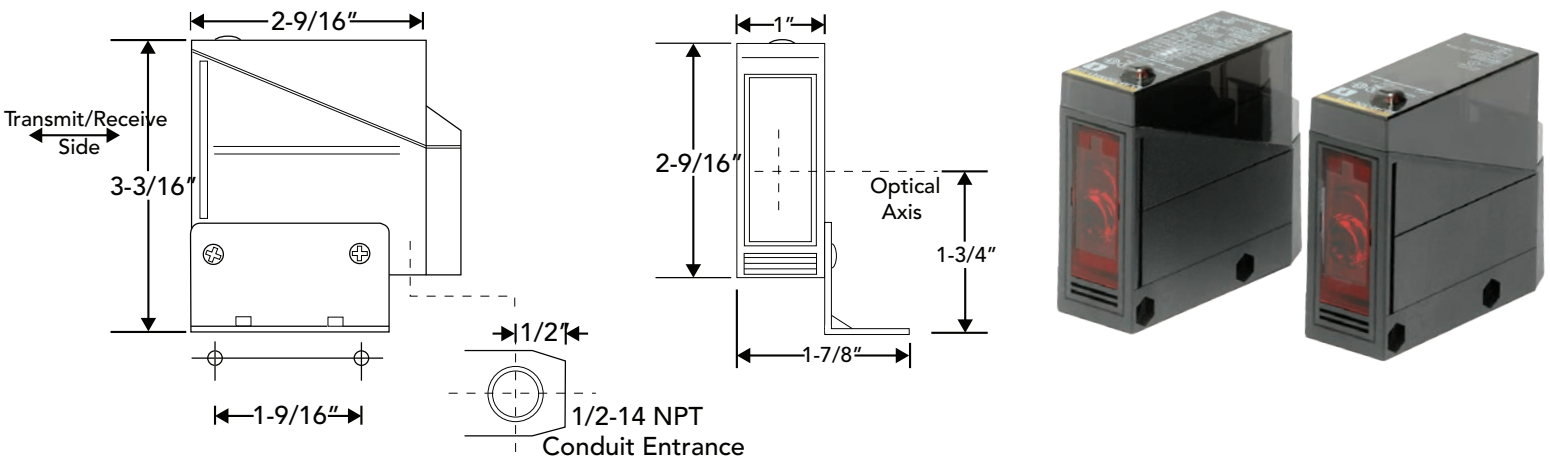


PHOTOCELLS - THRU-BEAM

PART NUMBER:107322.0005.S



GENERAL PURPOSE THRU-BEAM PHOTOCELLS

Features

- Built-in timer
- Relay output
- Mounting hardware included

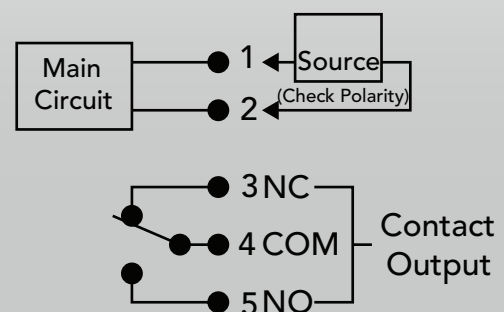
Specifications

- Power requirements: 24-240 VAC or 12-240 VDC
- Relay contacts: 3 A @ 240 VAC

Agency approvals

- IP 66 enclosure
- UL Listed
- CSA Certified

Wiring information



2501 S. State Hwy. 121 Bus., Suite 200, Lewisville, TX 75067
 1-800-929-DOOR • sales@overhaddoor.com
 overhaddoor.com

©2022 Overhead Door Corporation. Overhead Door is a trademark and the Red Ribbon logo is a registered trademark of Overhead Door Corporation. All other trademarks are property of their rightful owners. Consistent with our policy of continuing product improvement, we reserve the right to change product specifications without notice or obligation. C900-1290 02/22



INDUSTRY LEADING
 COMMERCIAL & INDUSTRIAL SOLUTIONS