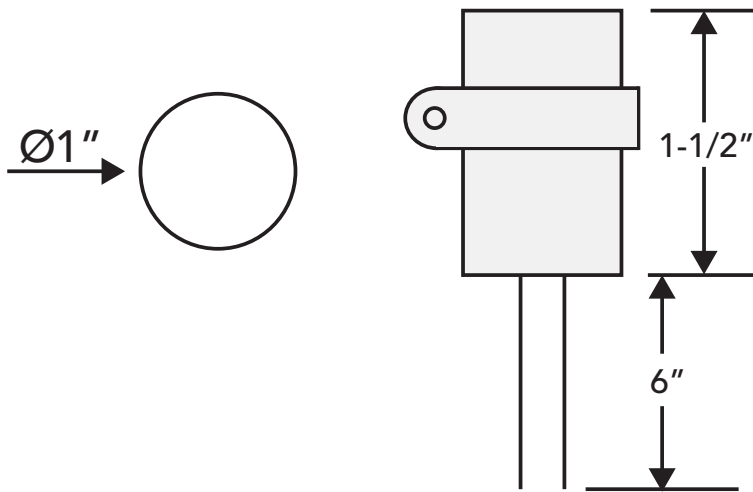


FLASHER MODULE

PART NUMBER:107311.0001.S



URNS STEADY LAMP INTO FLASHING LAMP

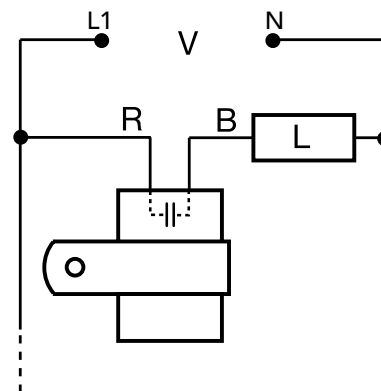
Features

- Default flash rate: 75 FPM
- Custom flashing rates: 45-150 FPM
- Removeable mounting bracket

Specifications

- Max rating: 10 A
- Temperature range: -85°F to 140°F

Wiring information



2501 S. State Hwy. 121 Bus., Suite 200, Lewisville, TX 75067
1-800-929-DOOR • sales@overhaddoor.com
overhaddoor.com

©2025 Overhead Door Corporation. Overhead Door is a trademark and the Red Ribbon logo is a registered trademark of Overhead Door Corporation. All other trademarks are property of their rightful owners. Consistent with our policy of continuing product improvement, we reserve the right to change product specifications without notice or obligation. C900-1289 11/25



**INDUSTRY EXPERTS,
DELIVERING TOTAL SOLUTIONS**