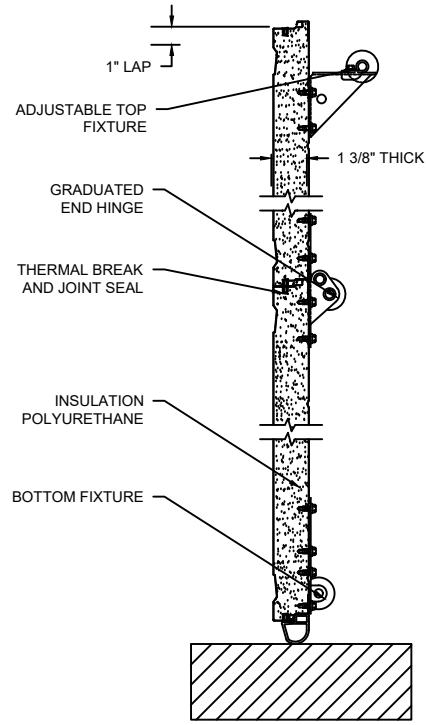
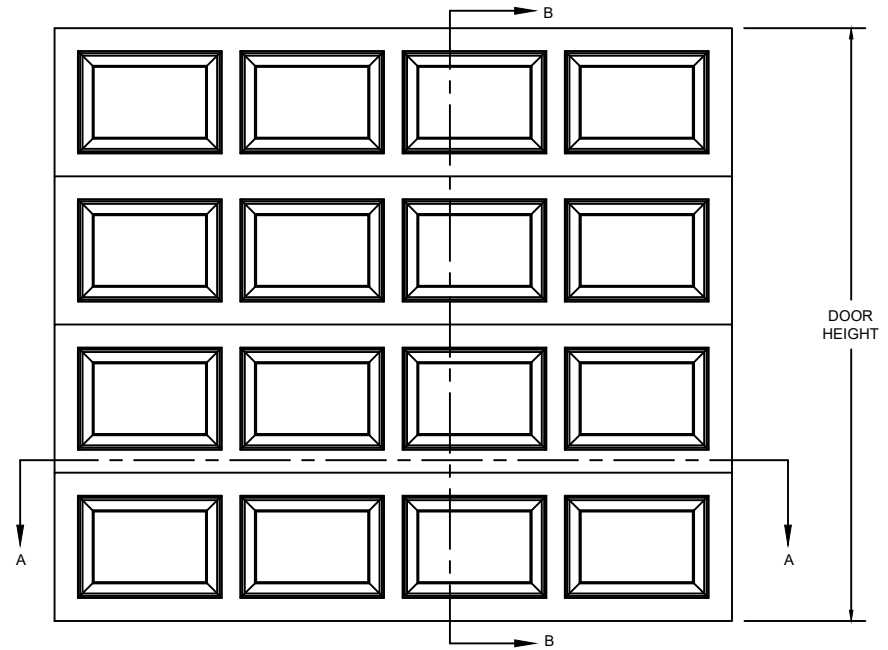


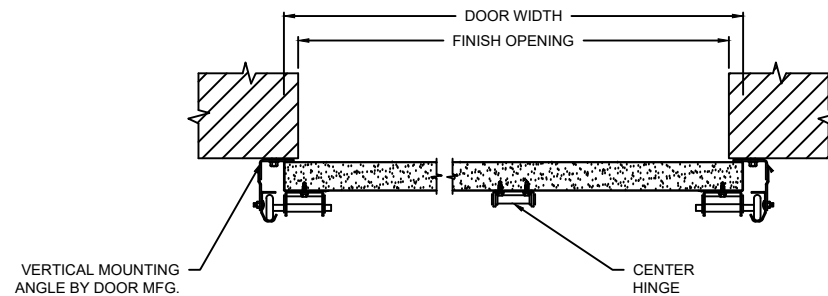
MODEL	STANDARD MAX. VALUES	
	WIDTH	HEIGHT
594	20' 2"	16' 1"



SECTION B-B



ELEVATION



SECTION A-A

OPTIONS

OPENING WIDTH	
OPENING HEIGHT	
ROLLER TRACK SIZE	<input type="checkbox"/> 2" <input type="checkbox"/> 3"
GLAZING OPTIONS	<input type="checkbox"/> INSULATED DSB <input type="checkbox"/> ALUMINUM SASH SECTION

COMPONENT	MATERIAL	OPERATION	NOTES:
SECTIONS	ROLL-FORMED, HOT DIPPED, GALVANIZED	MANUAL	- THE INSULATION WILL HAVE A U-FACTOR OF 0.15 (R-VALUE OF 12.76). U-FACTOR VALUES ARE INDEPENDENTLY TESTED AND VERIFIED PER ANSI/DASMA 105. OVERHEAD DOOR™ BRAND USES A CALCULATED DOOR SECTION R-VALUE FOR OUR INSULATED DOORS. THIS DOOR FEATURES TESTED AIR INFILTRATION AT 25 MPH (40 KMPH) OF .15 CFM/FT² (2.74 M³/HR/M²).
END STILES	20 GA. STEEL		
HARDWARE	GALVANIZED STEEL		
WEATHERSTRIP	EPDM RUBBER		

THERMACORE®

594 SECTIONAL STEEL DOORS (INSULATED)

DWG. NO.	DATE:	The Genuine. The Original.
SHEET	BY:	