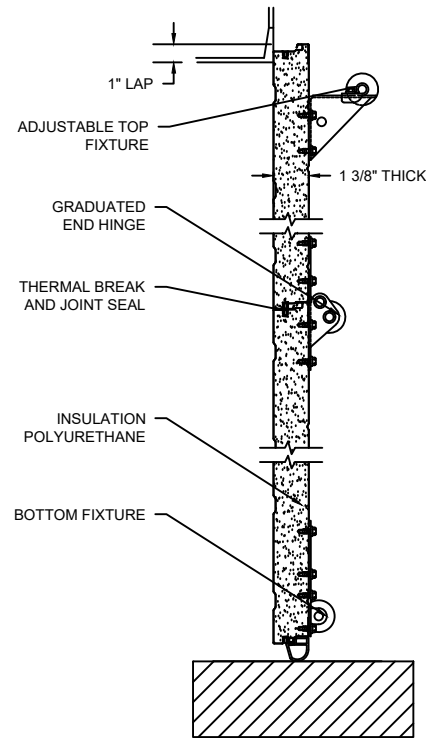
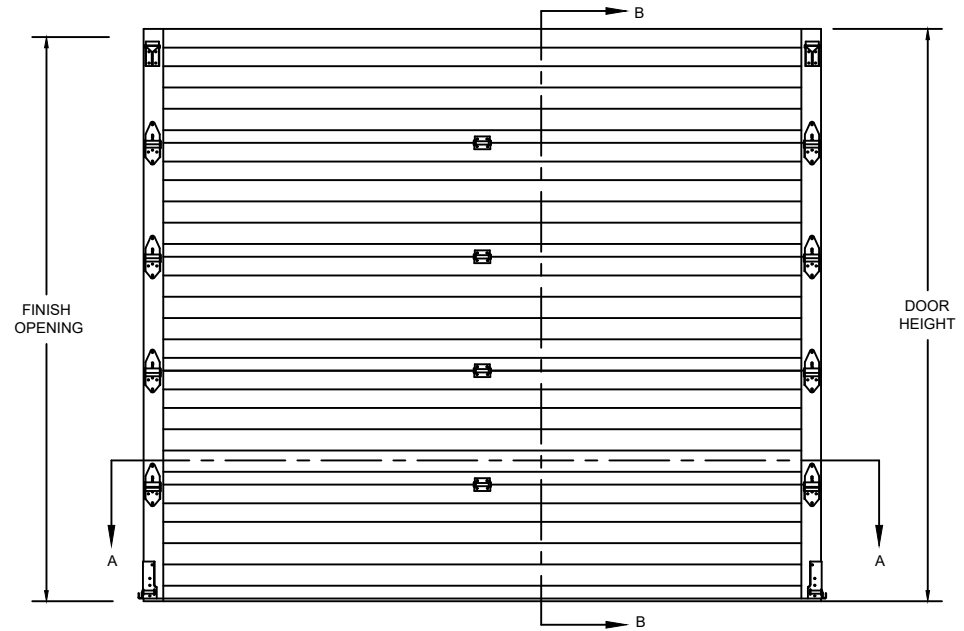


MODEL	STANDARD MAX. VALUES	
	WIDTH	HEIGHT
593	20' 2"	16' 1"

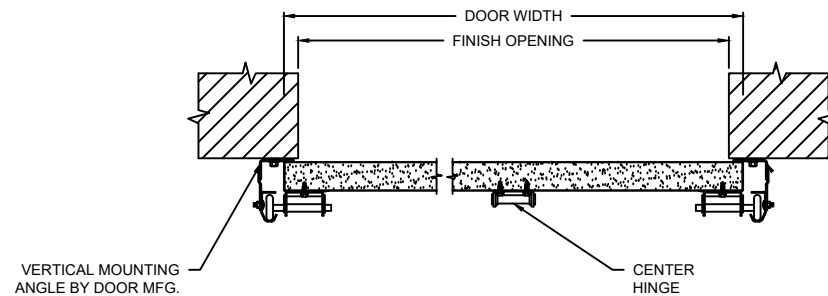
5 SECTION DOOR SHOWN.  
SECTION QTY WILL VARY



SECTION B-B



ELEVATION



SECTION A-A

**OPTIONS**

OPENING WIDTH	
OPENING HEIGHT	
ROLLER TRACK SIZE	<input type="checkbox"/> 2" <input type="checkbox"/> 3"
END STILES	<input type="checkbox"/> SINGLE <input type="checkbox"/> DOUBLE
WINDOW OPTIONS	<input type="checkbox"/> NO WINDOW <input type="checkbox"/> ONE - 24" X 7" <input type="checkbox"/> TWO - 24" X 7" <input type="checkbox"/> THREE - 24" X 7" <input type="checkbox"/> ONE - 25" X 12" <input type="checkbox"/> TWO - 25" X 12" <input type="checkbox"/> THREE - 25" X 12" <input type="checkbox"/> ONE - 44" X 15" (.125" GLASS) <input type="checkbox"/> ONE - 44" X 15" (.5" GLASS) <input type="checkbox"/> TWO - 44" X 15" (.125" GLASS) <input type="checkbox"/> TWO - 44" X 15" (.5" GLASS) <input type="checkbox"/> FULL VIEW 2 PANEL <input type="checkbox"/> FULL VIEW 3 PANEL
SEAL OPTIONS	<input type="checkbox"/> JAMB SEAL <input type="checkbox"/> STANDARD BOTTOM SEAL <input type="checkbox"/> TOP SEAL <input type="checkbox"/> ELECTRIC SAFETY EDGE <input type="checkbox"/> PNEUMATIC SAFETY EDGE <input type="checkbox"/> VINYL STOP MOLD
LOCK OPTIONS	<input type="checkbox"/> SLIDE LOCK <input type="checkbox"/> UNILOCK CENTER 2 ROD

COMPONENT	MATERIAL	OPERATION	NOTES:
SECTIONS	ROLL-FORMED, HOT DIPPED, GALVANIZED	MANUAL	- THE INSULATION WILL HAVE A U-FACTOR OF 0.15 (R-VALUE OF 12.76). U-FACTOR VALUES ARE INDEPENDENTLY TESTED AND VERIFIED PER ANSI/DASMA 105. OVERHEAD DOOR™ BRAND USES A CALCULATED DOOR SECTION R-VALUE FOR OUR INSULATED DOORS. THIS DOOR FEATURES TESTED AIR INFILTRATION AT 25 MPH (40 KMPH) OF .15 CFM/FT² (2.74 M³/HR/M²).
END STILES	16 GA. STEEL		
HARDWARE	GALVANIZED STEEL		
WEATHERSTRIP	EPDM RUBBER		

**THERMACORE®**

593 SECTIONAL STEEL DOORS (INSULATED)

DWG. NO.	DATE:	
SHEET	BY:	