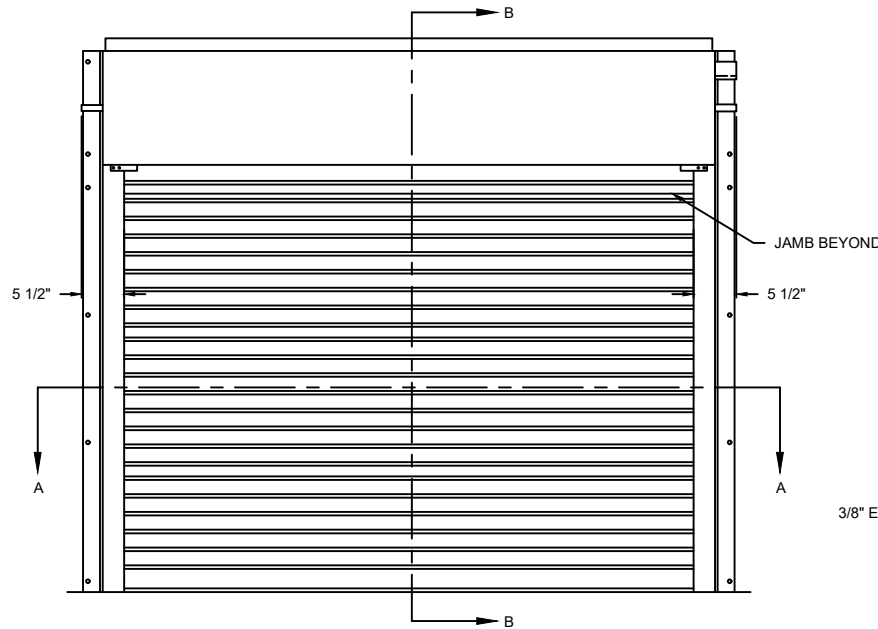


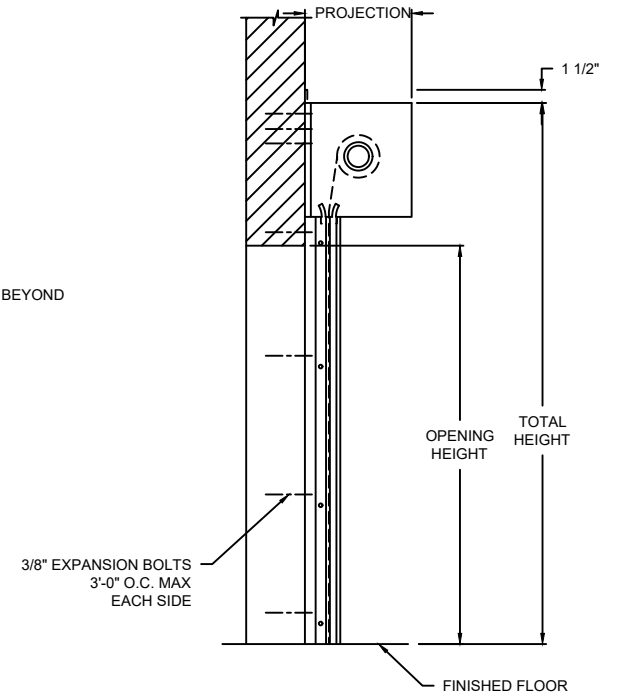
PERFORATED ALUMINUM PANEL DETAIL

OPTIONS

OPENING WIDTH	
OPENING HEIGHT	
HOOD OPTIONS	<input type="checkbox"/> OFF <input type="checkbox"/> ON (OCTAGON) <input type="checkbox"/> ON (ROUND) <input type="checkbox"/> HOOD SUPPORT
GUIDE OPTIONS	<input type="checkbox"/> ANGLED E <input type="checkbox"/> ANGLED Z <input type="checkbox"/> EXTRUDED E <input type="checkbox"/> EXTRUDED Z <input type="checkbox"/> HIGH USAGE E <input type="checkbox"/> HIGH USAGE Z



ELEVATION



SECTION B-B

PROJECTION	
MIN.	MAX.
14" X 16"	26" X 28"



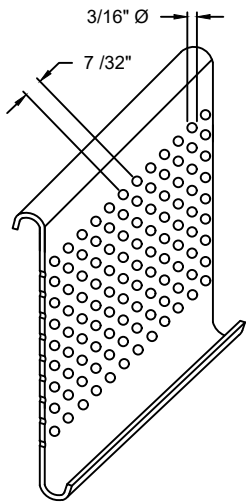
SECTION A-A

SECURITY GRILLES

674 UPWARD COILING SECURITY GRILLES - FACE MOUNT

DWG. NO.	DATE:	The Genuine. The Original. <i>OVERHEAD DOOR</i>
SHEET	BY:	

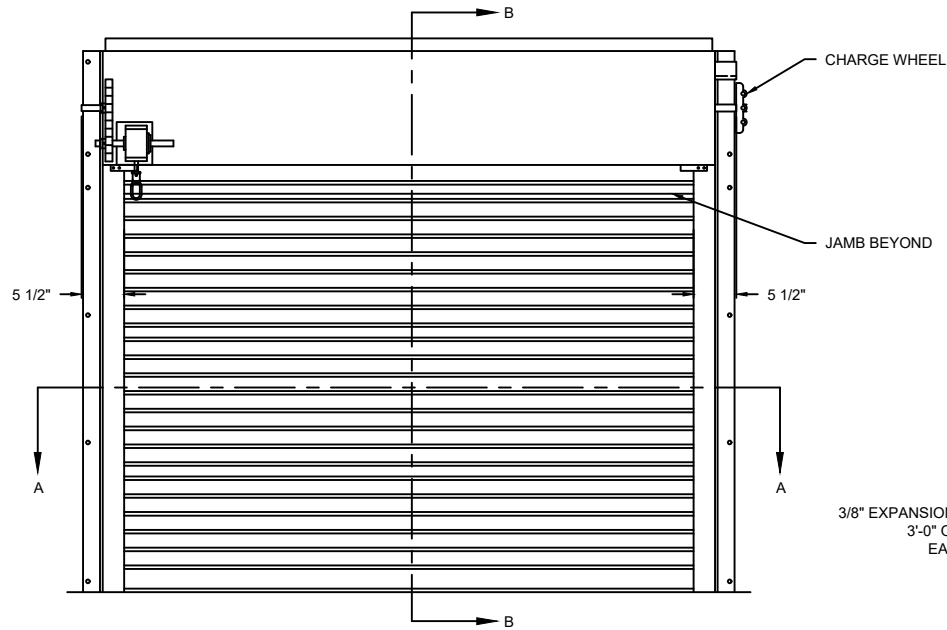
COMPONENT	MATERIAL	OPERATION	NOTES:
CURTAIN	ALUMINUM, CLEAR ANODIZED	MANUAL PUSH UP	- ELECTRIC OPERATOR WITH AUTOMATIC EMERGENCY EGRESS; COMPLIANT WITH IBC 1008.1.4.4 & NFPA 101
GUIDES	EXTRUDED ALUMINUM		
BOTTOM BAR	CLEAR ANODIZED ALUMINUM		



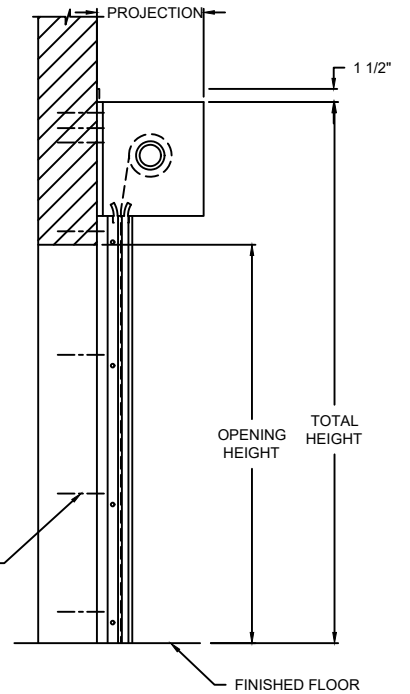
PERFORATED ALUMINUM PANEL DETAIL

OPTIONS

OPENING WIDTH	
OPENING HEIGHT	
HOOD OPTIONS	<input type="checkbox"/> OFF <input type="checkbox"/> ON (OCTAGON) <input type="checkbox"/> ON (ROUND) <input type="checkbox"/> HOOD SUPPORT
GUIDE OPTIONS	<input type="checkbox"/> ANGLED E <input type="checkbox"/> ANGLED Z <input type="checkbox"/> EXTRUDED E <input type="checkbox"/> EXTRUDED Z <input type="checkbox"/> HIGH USAGE E <input type="checkbox"/> HIGH USAGE Z



ELEVATION



SECTION B-B

PROJECTION	
MIN.	MAX.
14" X 16"	26" X 28"



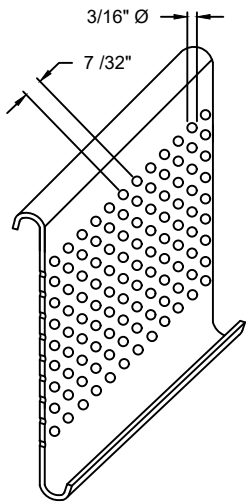
SECTION A-A

SECURITY GRILLES

674 UPWARD COILING SECURITY GRILLES - FACE MOUNT

COMPONENT	MATERIAL	OPERATION	NOTES:
CURTAIN	ALUMINUM, CLEAR ANODIZED	CRANK LH	- ELECTRIC OPERATOR WITH AUTOMATIC EMERGENCY EGRESS; COMPLIANT WITH IBC 1008.1.4.4 & NFPA 101
GUIDES	EXTRUDED ALUMINUM		
BOTTOM BAR	CLEAR ANODIZED ALUMINUM		

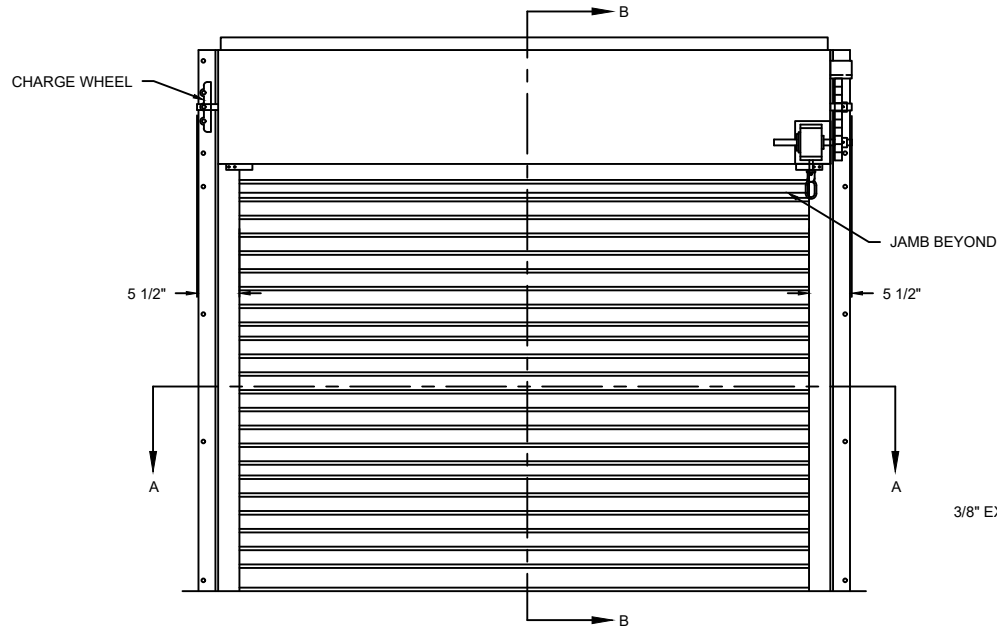
DWG. NO.	DATE:	
SHEET	BY:	



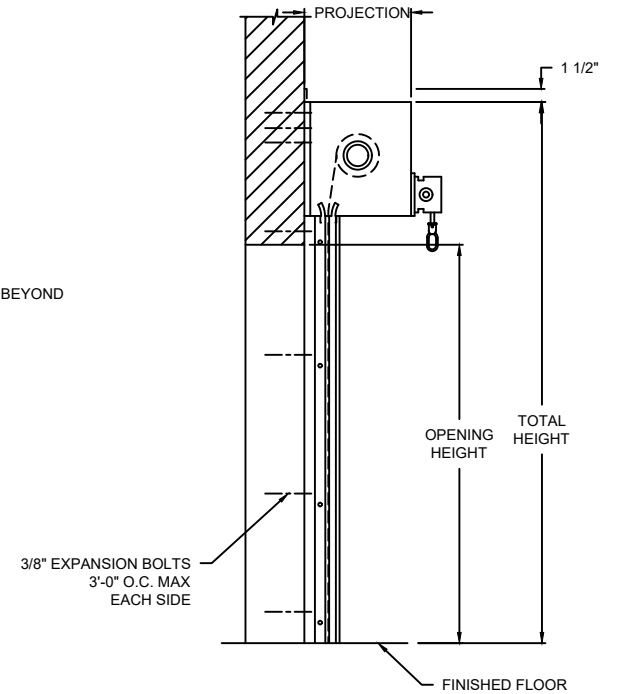
PERFORATED ALUMINUM PANEL DETAIL

OPTIONS

OPENING WIDTH	
OPENING HEIGHT	
HOOD OPTIONS	<input type="checkbox"/> OFF <input type="checkbox"/> ON (OCTAGON) <input type="checkbox"/> ON (ROUND) <input type="checkbox"/> HOOD SUPPORT
GUIDE OPTIONS	<input type="checkbox"/> ANGLED E <input type="checkbox"/> ANGLED Z <input type="checkbox"/> EXTRUDED E <input type="checkbox"/> EXTRUDED Z <input type="checkbox"/> HIGH USAGE E <input type="checkbox"/> HIGH USAGE Z



ELEVATION



SECTION B-B

PROJECTION	
MIN.	MAX.
14" X 16"	26" X 28"



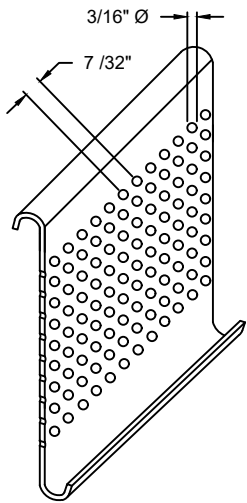
SECTION A-A

SECURITY GRILLES

674 UPWARD COILING SECURITY GRILLES - FACE MOUNT

COMPONENT	MATERIAL	OPERATION	NOTES:
CURTAIN	ALUMINUM, CLEAR ANODIZED	CRANK RH	- ELECTRIC OPERATOR WITH AUTOMATIC EMERGENCY EGRESS; COMPLIANT WITH IBC 1008.1.4.4 & NFPA 101
GUIDES	EXTRUDED ALUMINUM		
BOTTOM BAR	CLEAR ANODIZED ALUMINUM		

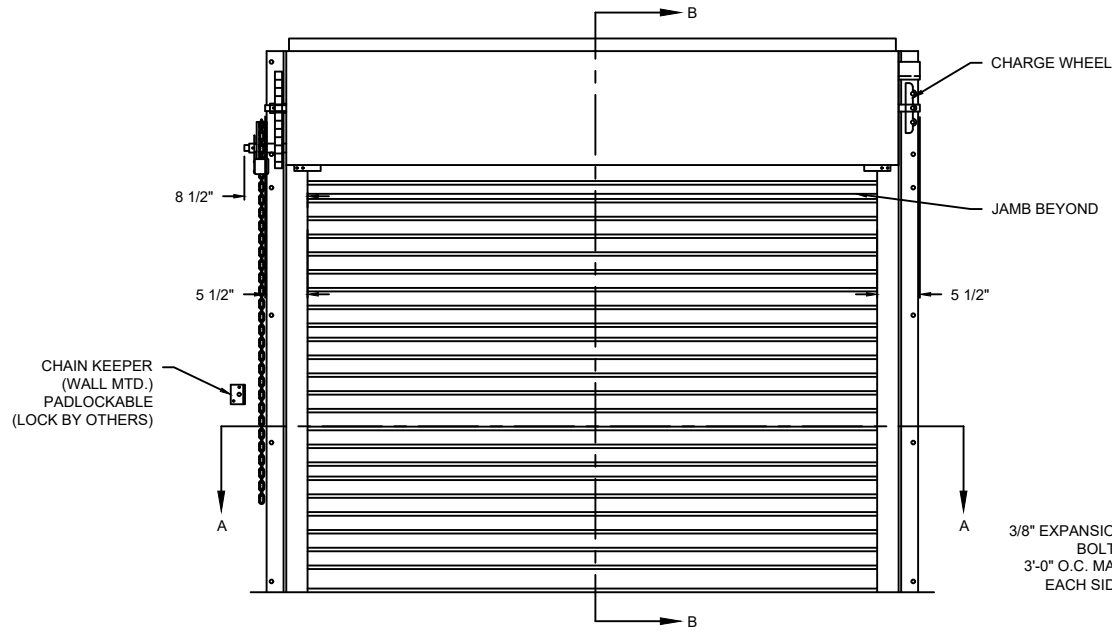
DWG. NO.	DATE:	The Genuine. The Original.
SHEET	BY:	



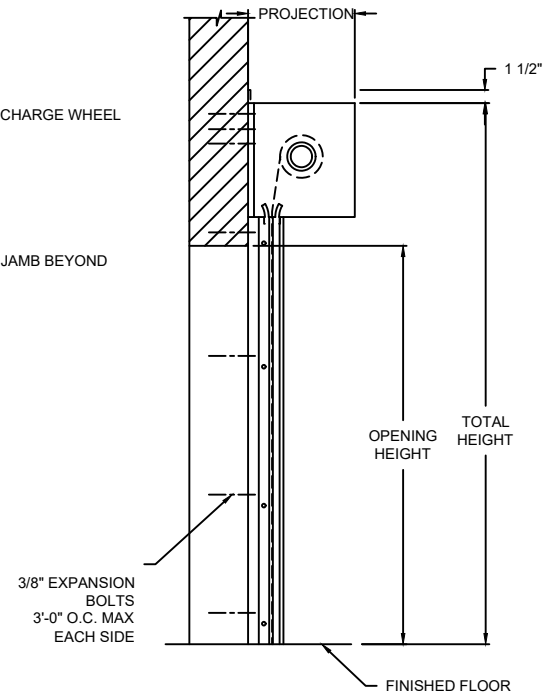
PERFORATED ALUMINUM PANEL DETAIL

OPTIONS

OPENING WIDTH	
OPENING HEIGHT	
HOOD OPTIONS	<input type="checkbox"/> OFF <input type="checkbox"/> ON (OCTAGON) <input type="checkbox"/> ON (ROUND) <input type="checkbox"/> HOOD SUPPORT
GUIDE OPTIONS	<input type="checkbox"/> ANGLED E <input type="checkbox"/> ANGLED Z <input type="checkbox"/> EXTRUDED E <input type="checkbox"/> EXTRUDED Z <input type="checkbox"/> HIGH USAGE E <input type="checkbox"/> HIGH USAGE Z



ELEVATION



SECTION B-B

PROJECTION	
MIN.	MAX.
14" X 16"	26" X 28"



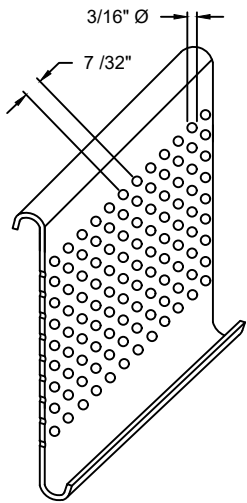
SECTION A-A

SECURITY GRILLES

674 UPWARD COILING SECURITY GRILLES - FACE MOUNT

COMPONENT	MATERIAL	OPERATION	NOTES:
CURTAIN	ALUMINUM, CLEAR ANODIZED	CHAIN HOIST LH	- ELECTRIC OPERATOR WITH AUTOMATIC EMERGENCY EGRESS; COMPLIANT WITH IBC 1008.1.4.4 & NFPA 101
GUIDES	EXTRUDED ALUMINUM		
BOTTOM BAR	CLEAR ANODIZED ALUMINUM		

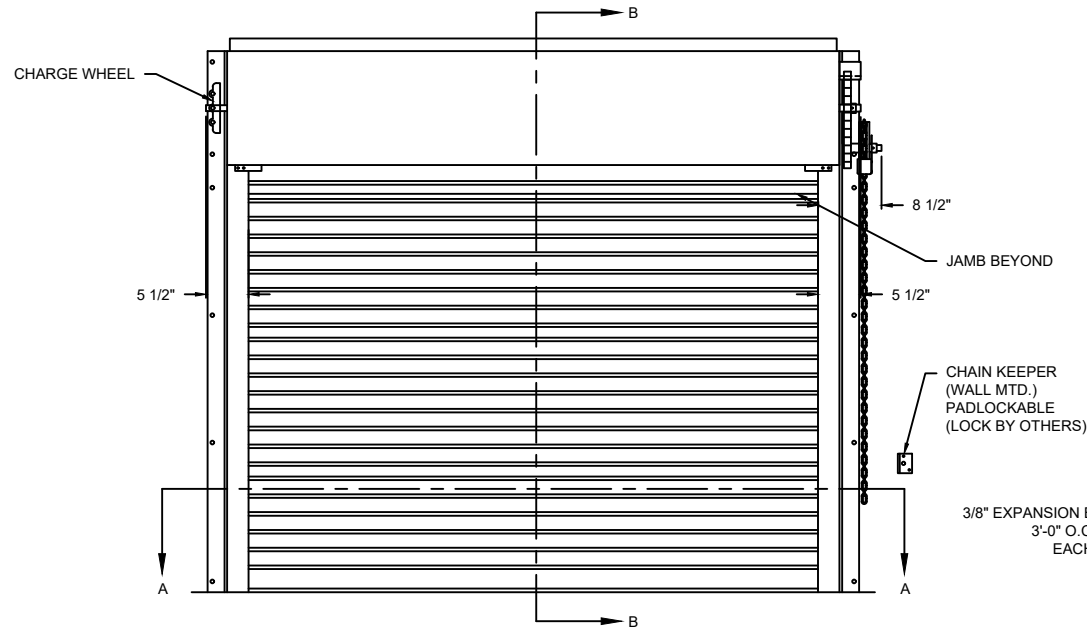
DWG. NO.	DATE:	
SHEET	BY:	



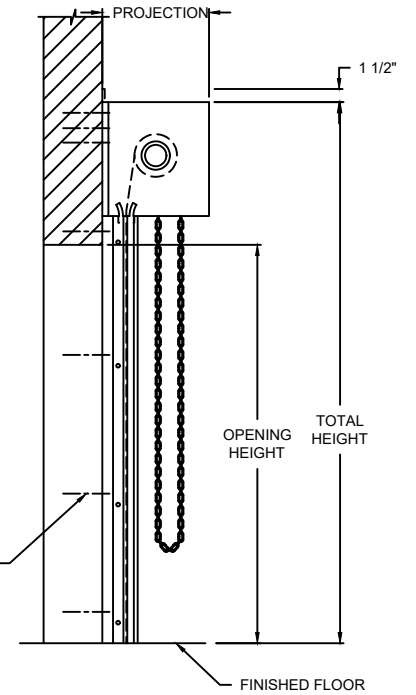
PERFORATED ALUMINUM PANEL DETAIL

OPTIONS

OPENING WIDTH	
OPENING HEIGHT	
HOOD OPTIONS	<input type="checkbox"/> OFF <input type="checkbox"/> ON (OCTAGON) <input type="checkbox"/> ON (ROUND) <input type="checkbox"/> HOOD SUPPORT
GUIDE OPTIONS	<input type="checkbox"/> ANGLED E <input type="checkbox"/> ANGLED Z <input type="checkbox"/> EXTRUDED E <input type="checkbox"/> EXTRUDED Z <input type="checkbox"/> HIGH USAGE E <input type="checkbox"/> HIGH USAGE Z



ELEVATION



SECTION B-B

PROJECTION	
MIN.	MAX.
14" X 16"	26" X 28"



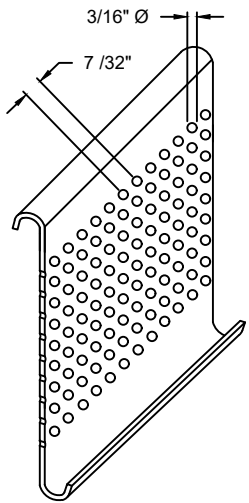
SECTION A-A

SECURITY GRILLES

674 UPWARD COILING SECURITY GRILLES - FACE MOUNT

COMPONENT	MATERIAL	OPERATION	NOTES:
CURTAIN	ALUMINUM, CLEAR ANODIZED	CHAIN HOIST RH	- ELECTRIC OPERATOR WITH AUTOMATIC EMERGENCY EGRESS; COMPLIANT WITH IBC 1008.1.4.4 & NFPA 101
GUIDES	EXTRUDED ALUMINUM		
BOTTOM BAR	CLEAR ANODIZED ALUMINUM		

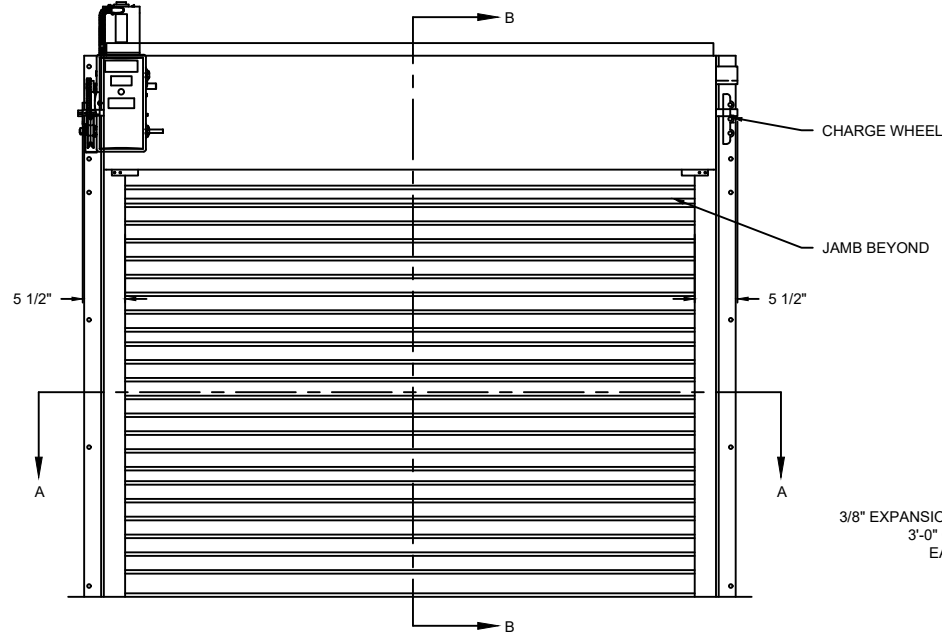
DWG. NO.	DATE:	
SHEET	BY:	



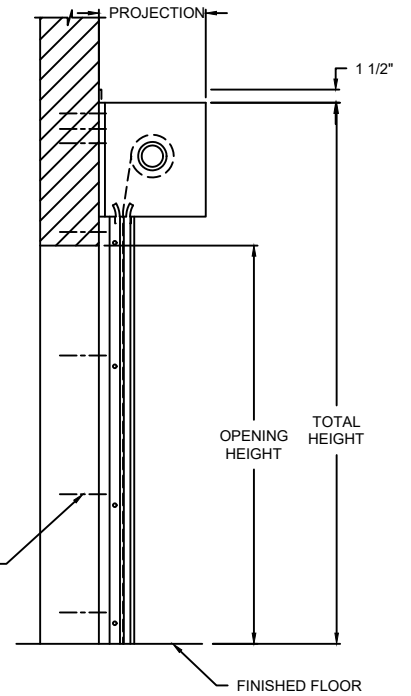
PERFORATED ALUMINUM PANEL DETAIL

OPTIONS

OPENING WIDTH	
OPENING HEIGHT	
HOOD OPTIONS	<input type="checkbox"/> OFF <input type="checkbox"/> ON (OCTAGON) <input type="checkbox"/> ON (ROUND) <input type="checkbox"/> HOOD SUPPORT
GUIDE OPTIONS	<input type="checkbox"/> ANGLED E <input type="checkbox"/> ANGLED Z <input type="checkbox"/> EXTRUDED E <input type="checkbox"/> EXTRUDED Z <input type="checkbox"/> HIGH USAGE E <input type="checkbox"/> HIGH USAGE Z



ELEVATION



SECTION B-B

PROJECTION	
MIN.	MAX.
14" X 16"	26" X 28"



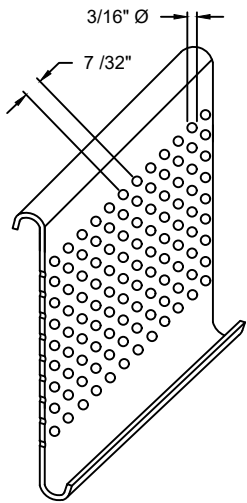
SECTION A-A

SECURITY GRILLES

674 UPWARD COILING SECURITY GRILLES - FACE MOUNT

COMPONENT	MATERIAL	OPERATION	NOTES:
CURTAIN	ALUMINUM, CLEAR ANODIZED	RHX FOH LH	- ELECTRIC OPERATOR WITH AUTOMATIC EMERGENCY EGRESS; COMPLIANT WITH IBC 1008.1.4.4 & NFPA 101
GUIDES	EXTRUDED ALUMINUM		
BOTTOM BAR	CLEAR ANODIZED ALUMINUM		

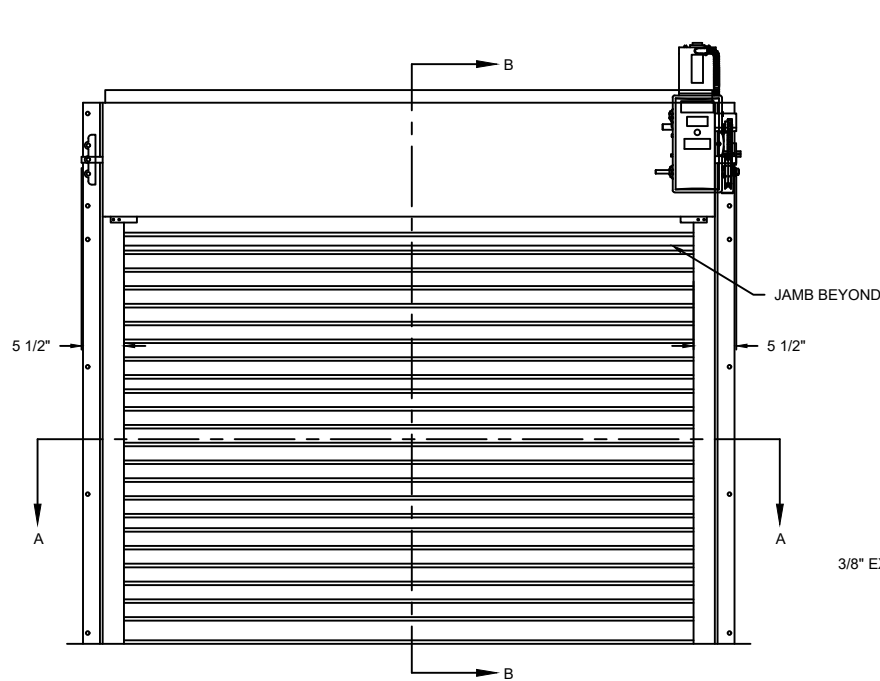
DWG. NO.	DATE:	
SHEET	BY:	



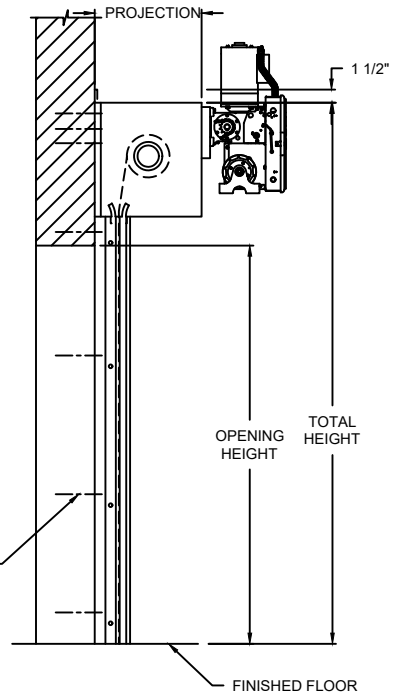
PERFORATED ALUMINUM PANEL DETAIL

OPTIONS

OPENING WIDTH	
OPENING HEIGHT	
HOOD OPTIONS	<input type="checkbox"/> OFF <input type="checkbox"/> ON (OCTAGON) <input type="checkbox"/> ON (ROUND) <input type="checkbox"/> HOOD SUPPORT
GUIDE OPTIONS	<input type="checkbox"/> ANGLED E <input type="checkbox"/> ANGLED Z <input type="checkbox"/> EXTRUDED E <input type="checkbox"/> EXTRUDED Z <input type="checkbox"/> HIGH USAGE E <input type="checkbox"/> HIGH USAGE Z



ELEVATION



SECTION B-B

PROJECTION	
MIN.	MAX.
14" X 16"	26" X 28"



SECTION A-A

SECURITY GRILLES

674 UPWARD COILING SECURITY GRILLES - FACE MOUNT

COMPONENT	MATERIAL	OPERATION	NOTES:
CURTAIN	ALUMINUM, CLEAR ANODIZED	RHX FOH LH	- ELECTRIC OPERATOR WITH AUTOMATIC EMERGENCY EGRESS; COMPLIANT WITH IBC 1008.1.4.4 & NFPA 101
GUIDES	EXTRUDED ALUMINUM		
BOTTOM BAR	CLEAR ANODIZED ALUMINUM		

DWG. NO.	DATE:	
SHEET	BY:	