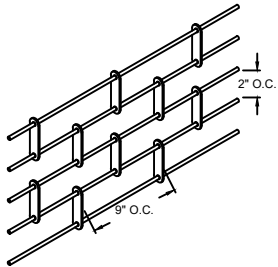
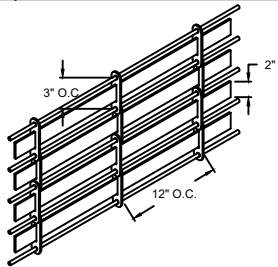


STRAIGHT LATTICE SLAT DETAIL



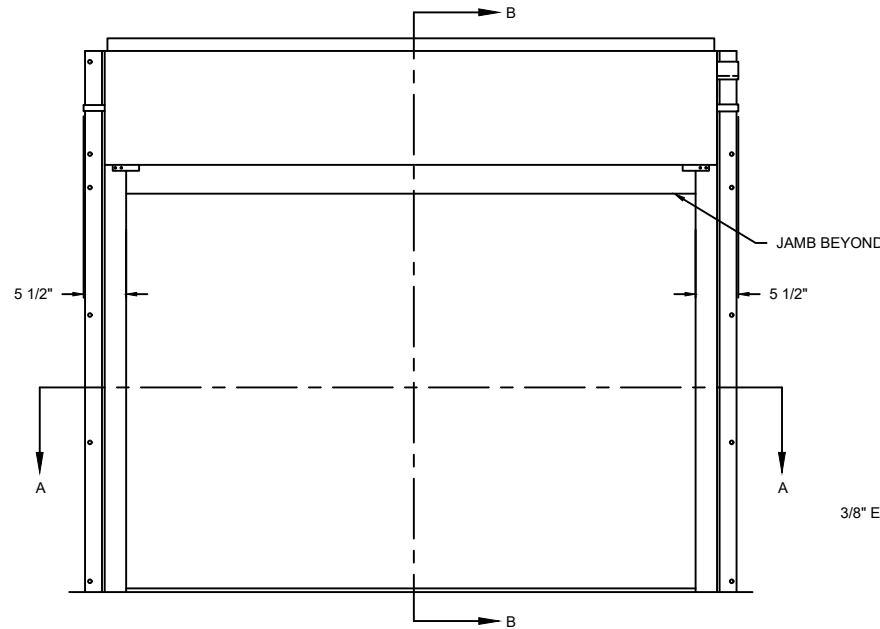
STAGGERED BRICK SLAT DETAIL



STRAIGHT WITH POLYCARBONATE SLAT DETAIL

OPTIONS

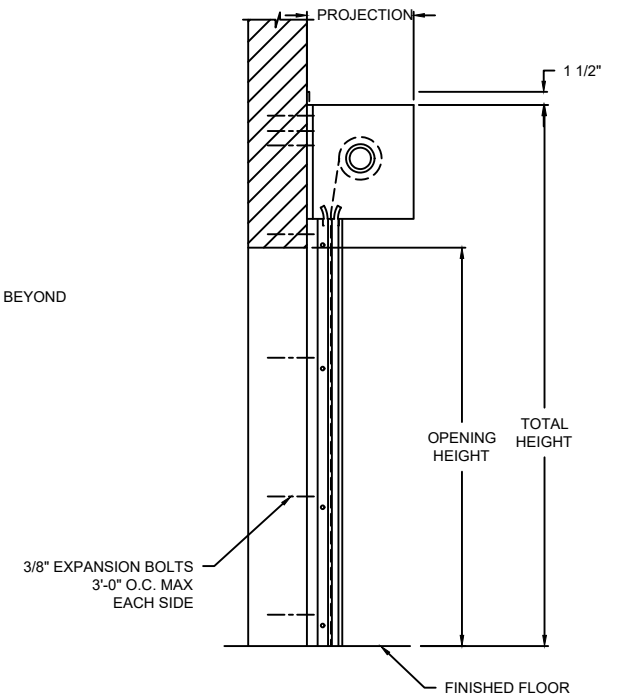
OPENING WIDTH	
OPENING HEIGHT	
SLAT OPTIONS	<input type="checkbox"/> STRAIGHT <input type="checkbox"/> STAGGERED BRICK <input type="checkbox"/> POLYCARBONATE
HOOD OPTIONS	<input type="checkbox"/> OFF <input type="checkbox"/> ON (OCTAGON) <input type="checkbox"/> ON (ROUND) <input type="checkbox"/> HOOD SUPPORT
GUIDE OPTIONS	<input type="checkbox"/> ANGLED E <input type="checkbox"/> ANGLED Z <input type="checkbox"/> EXTRUDED E <input type="checkbox"/> EXTRUDED Z <input type="checkbox"/> HIGH USAGE E <input type="checkbox"/> HIGH USAGE Z



ELEVATION



SECTION A-A



SECTION B-B

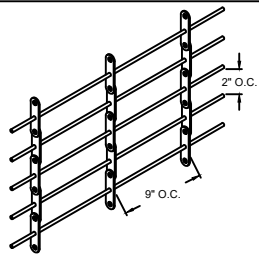
PROJECTION	
MIN.	MAX.
12" X 14"	32" X 34"

SECURITY GRILLES

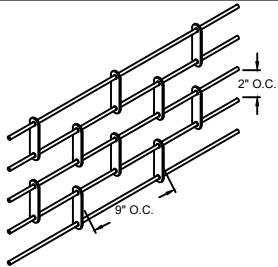
670 UPWARD COILING SECURITY GRILLES - FACE MOUNT

COMPONENT	MATERIAL	OPERATION	NOTES:
CURTAIN	ALUMINUM	MANUAL PUSH UP	- ELECTRIC OPERATOR WITH AUTOMATIC EMERGENCY EGRESS; COMPLIANT WITH IBC 1008.1.4.4 & NFPA 101
GUIDES	EXTRUDED ALUMINUM		
BOTTOM BAR	EXTRUDED ALUMINUM		

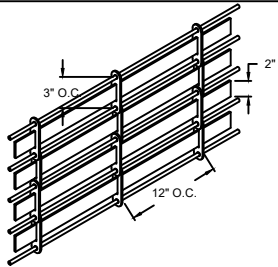
DWG. NO.	DATE:	The Genuine. The Original. OVERHEAD DOOR
SHEET	BY:	



STRAIGHT LATTICE SLAT DETAIL



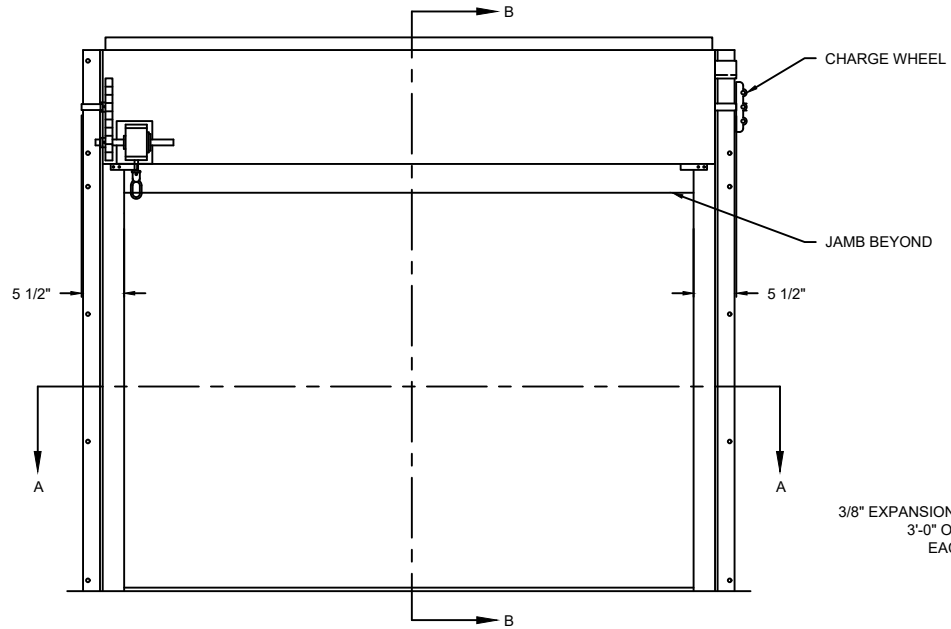
STAGGERED BRICK SLAT DETAIL



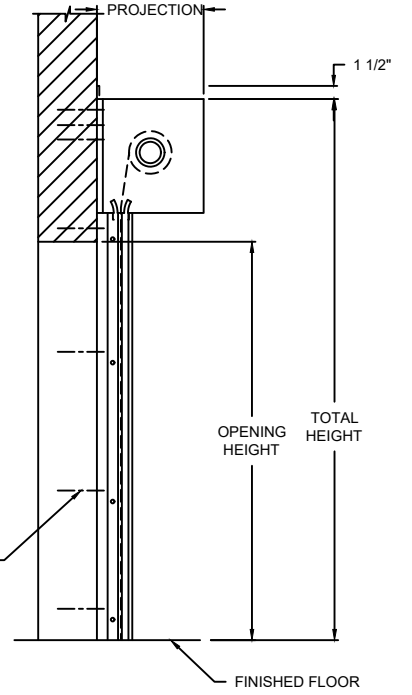
STRAIGHT WITH POLYCARBONATE SLAT DETAIL

OPTIONS

OPENING WIDTH	
OPENING HEIGHT	
SLAT OPTIONS	<input type="checkbox"/> STRAIGHT <input type="checkbox"/> STAGGERED BRICK <input type="checkbox"/> POLYCARBONATE
HOOD OPTIONS	<input type="checkbox"/> OFF <input type="checkbox"/> ON (OCTAGON) <input type="checkbox"/> ON (ROUND) <input type="checkbox"/> HOOD SUPPORT
GUIDE OPTIONS	<input type="checkbox"/> ANGLED E <input type="checkbox"/> ANGLED Z <input type="checkbox"/> EXTRUDED E <input type="checkbox"/> EXTRUDED Z <input type="checkbox"/> HIGH USAGE E <input type="checkbox"/> HIGH USAGE Z



ELEVATION



SECTION B-B

PROJECTION	
MIN.	MAX.
12" X 14"	32" X 34"



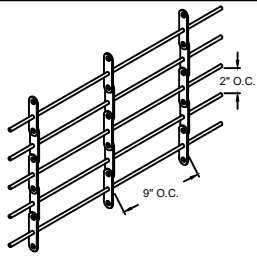
SECTION A-A

COMPONENT	MATERIAL	OPERATION	NOTES:
CURTAIN	ALUMINUM	CRANK LH	- ELECTRIC OPERATOR WITH AUTOMATIC EMERGENCY EGRESS; COMPLIANT WITH IBC 1008.1.4.4 & NFPA 101
GUIDES	EXTRUDED ALUMINUM		
BOTTOM BAR	EXTRUDED ALUMINUM		

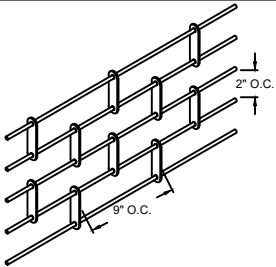
SECURITY GRILLES

670 UPWARD COILING SECURITY GRILLES - FACE MOUNT

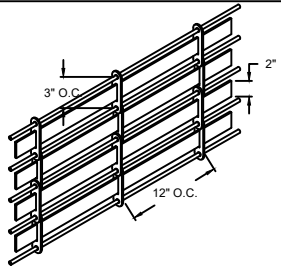
DWG. NO.	DATE:	The Genuine. The Original. OVERHEAD DOOR
SHEET	BY:	



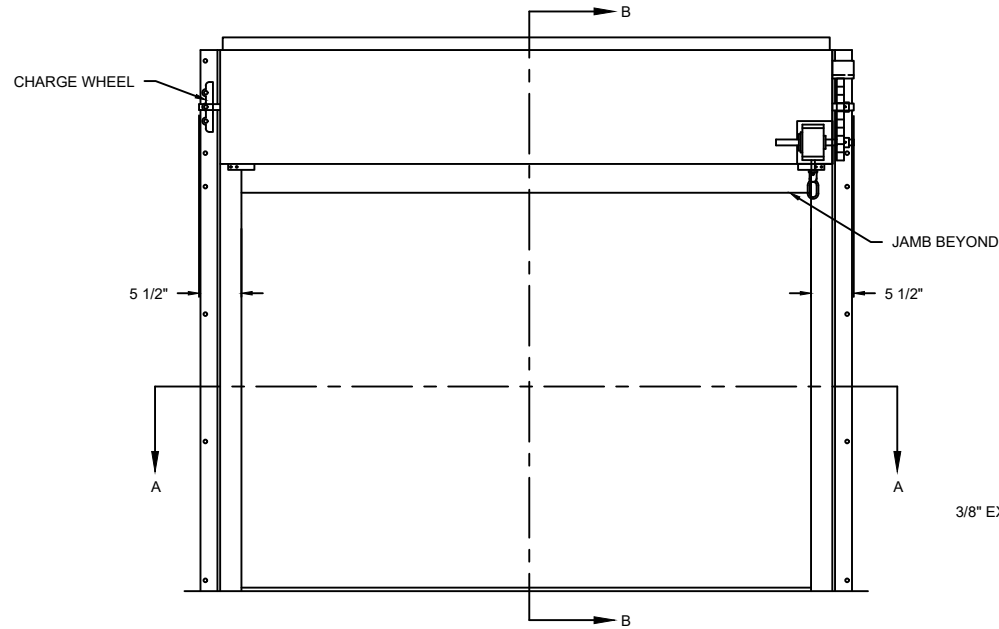
STRAIGHT LATTICE SLAT DETAIL



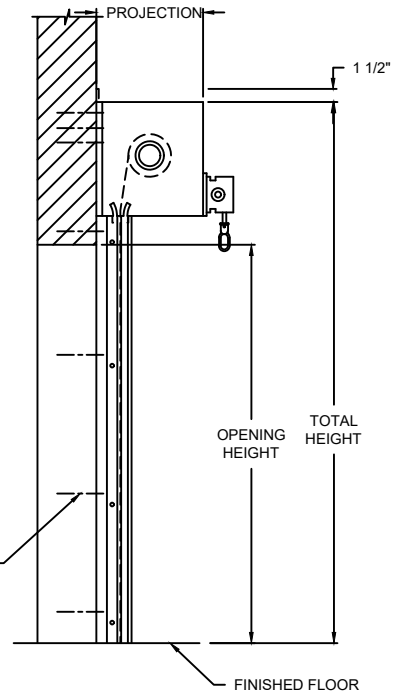
STAGGERED BRICK SLAT DETAIL



STRAIGHT WITH POLYCARBONATE SLAT DETAIL



ELEVATION



SECTION B-B

PROJECTION	
MIN.	MAX.
12" X 14"	32" X 34"



SECTION A-A

OPTIONS

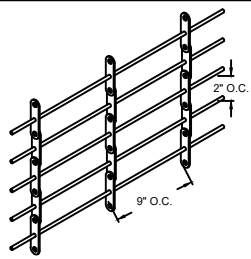
OPENING WIDTH	
OPENING HEIGHT	
SLAT OPTIONS	<input type="checkbox"/> STRAIGHT <input type="checkbox"/> STAGGERED BRICK <input type="checkbox"/> POLYCARBONATE
HOOD OPTIONS	<input type="checkbox"/> OFF <input type="checkbox"/> ON (OCTAGON) <input type="checkbox"/> ON (ROUND) <input type="checkbox"/> HOOD SUPPORT
GUIDE OPTIONS	<input type="checkbox"/> ANGLED E <input type="checkbox"/> ANGLED Z <input type="checkbox"/> EXTRUDED E <input type="checkbox"/> EXTRUDED Z <input type="checkbox"/> HIGH USAGE E <input type="checkbox"/> HIGH USAGE Z

COMPONENT	MATERIAL	OPERATION	NOTES:
CURTAIN	ALUMINUM	CRANK RH	- ELECTRIC OPERATOR WITH AUTOMATIC EMERGENCY EGRESS; COMPLIANT WITH IBC 1008.1.4.4 & NFPA 101
GUIDES	EXTRUDED ALUMINUM		
BOTTOM BAR	EXTRUDED ALUMINUM		

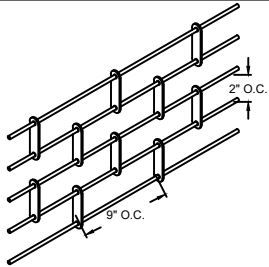
SECURITY GRILLES

670 UPWARD COILING SECURITY GRILLES - FACE MOUNT

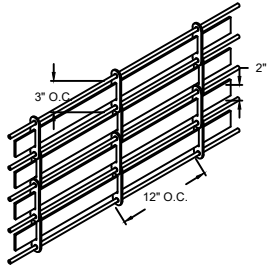
DWG. NO.	DATE:	
SHEET	BY:	



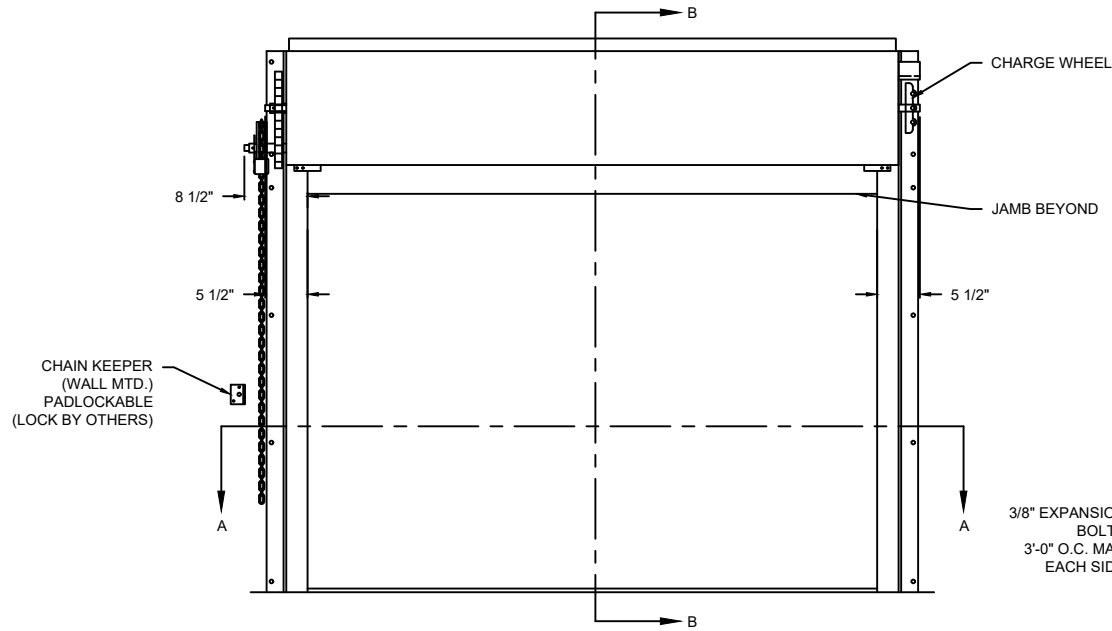
STRAIGHT LATTICE SLAT DETAIL



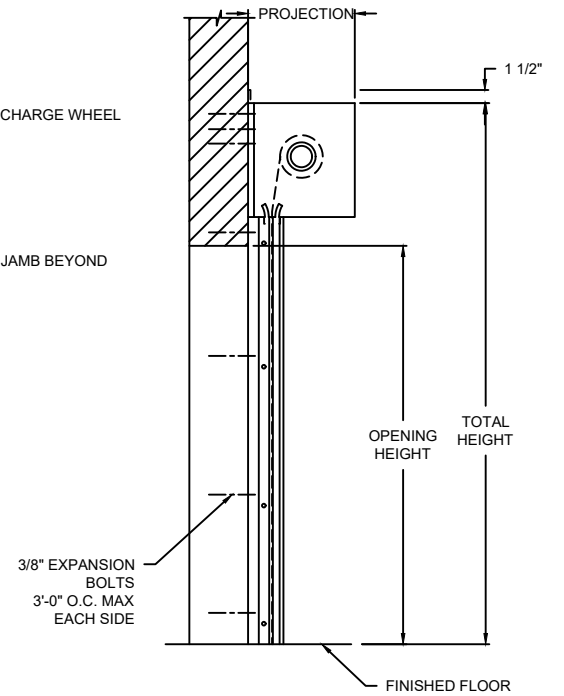
STAGGERED BRICK SLAT DETAIL



STRAIGHT WITH POLYCARBONATE SLAT DETAIL



ELEVATION



SECTION B-B

PROJECTION	
MIN.	MAX.
12" X 14"	32" X 34"



SECTION A-A

OPTIONS

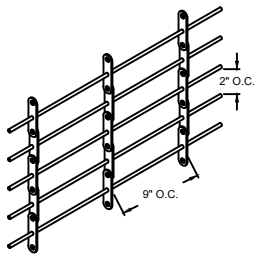
OPENING WIDTH	
OPENING HEIGHT	
SLAT OPTIONS	<input type="checkbox"/> STRAIGHT <input type="checkbox"/> STAGGERED BRICK <input type="checkbox"/> POLYCARBONATE
HOOD OPTIONS	<input type="checkbox"/> OFF <input type="checkbox"/> ON (OCTAGON) <input type="checkbox"/> ON (ROUND) <input type="checkbox"/> HOOD SUPPORT
GUIDE OPTIONS	<input type="checkbox"/> ANGLED E <input type="checkbox"/> ANGLED Z <input type="checkbox"/> EXTRUDED E <input type="checkbox"/> EXTRUDED Z <input type="checkbox"/> HIGH USAGE E <input type="checkbox"/> HIGH USAGE Z

COMPONENT	MATERIAL	OPERATION	NOTES:
CURTAIN	ALUMINUM	CHAIN HOIST LH	- ELECTRIC OPERATOR WITH AUTOMATIC EMERGENCY EGRESS; COMPLIANT WITH IBC 1008.1.4.4 & NFPA 101
GUIDES	EXTRUDED ALUMINUM		
BOTTOM BAR	EXTRUDED ALUMINUM		

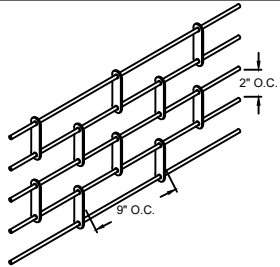
SECURITY GRILLES

670 UPWARD COILING SECURITY GRILLES - FACE MOUNT

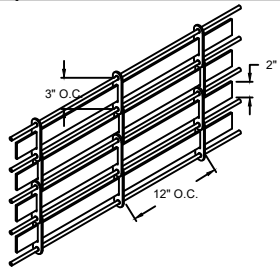
DWG. NO.	DATE:	
SHEET	BY:	



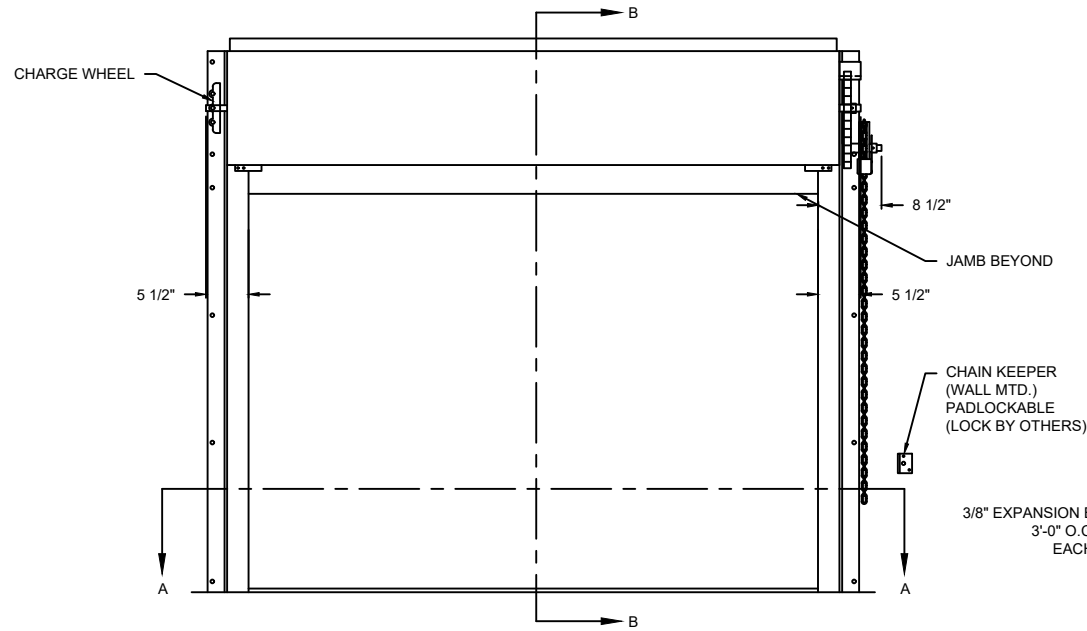
STRAIGHT LATTICE SLAT DETAIL



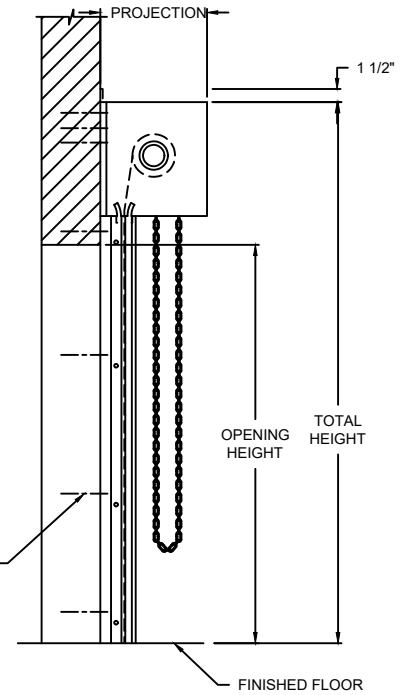
STAGGERED BRICK SLAT DETAIL



STRAIGHT WITH POLYCARBONATE SLAT DETAIL



ELEVATION



SECTION B-B

PROJECTION	
MIN.	MAX.
12" X 14"	32" X 34"



SECTION A-A

OPTIONS

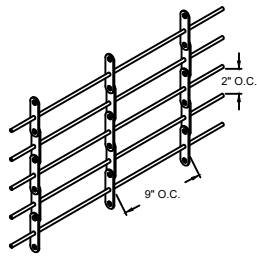
OPENING WIDTH	
OPENING HEIGHT	
SLAT OPTIONS	<input type="checkbox"/> STRAIGHT <input type="checkbox"/> STAGGERED BRICK <input type="checkbox"/> POLYCARBONATE
HOOD OPTIONS	<input type="checkbox"/> OFF <input type="checkbox"/> ON (OCTAGON) <input type="checkbox"/> ON (ROUND) <input type="checkbox"/> HOOD SUPPORT
GUIDE OPTIONS	<input type="checkbox"/> ANGLED E <input type="checkbox"/> ANGLED Z <input type="checkbox"/> EXTRUDED E <input type="checkbox"/> EXTRUDED Z <input type="checkbox"/> HIGH USAGE E <input type="checkbox"/> HIGH USAGE Z

COMPONENT	MATERIAL	OPERATION	NOTES:
CURTAIN	ALUMINUM	CHAIN HOIST RH	- ELECTRIC OPERATOR WITH AUTOMATIC EMERGENCY EGRESS; COMPLIANT WITH IBC 1008.1.4.4 & NFPA 101
GUIDES	EXTRUDED ALUMINUM		
BOTTOM BAR	EXTRUDED ALUMINUM		

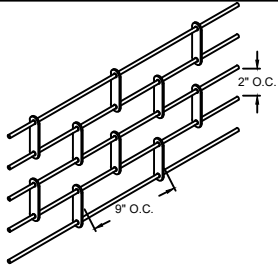
SECURITY GRILLES

670 UPWARD COILING SECURITY GRILLES - FACE MOUNT

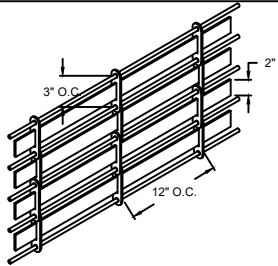
DWG. NO.	DATE:	
SHEET	BY:	



STRAIGHT LATTICE SLAT DETAIL



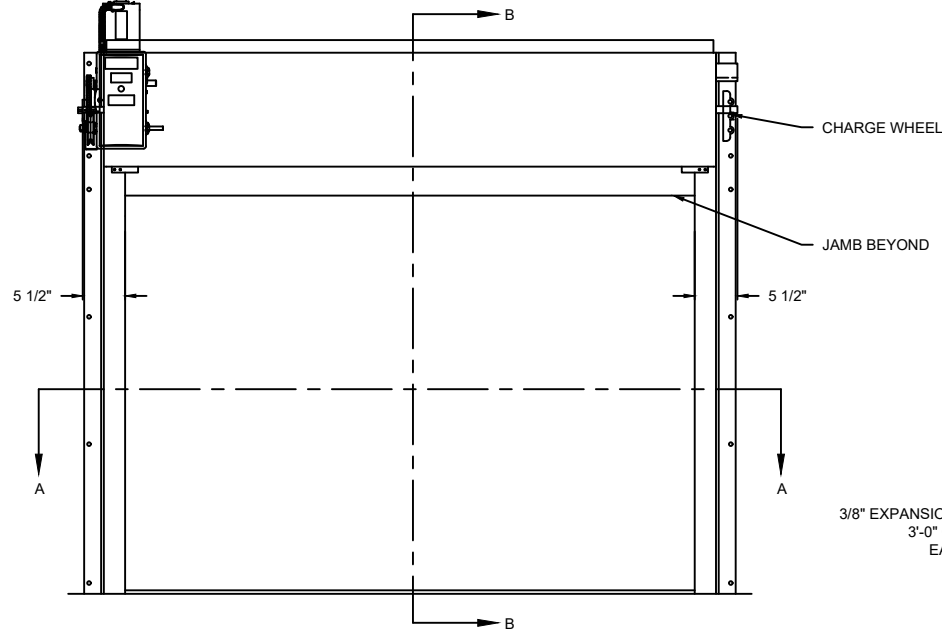
STAGGERED BRICK SLAT DETAIL



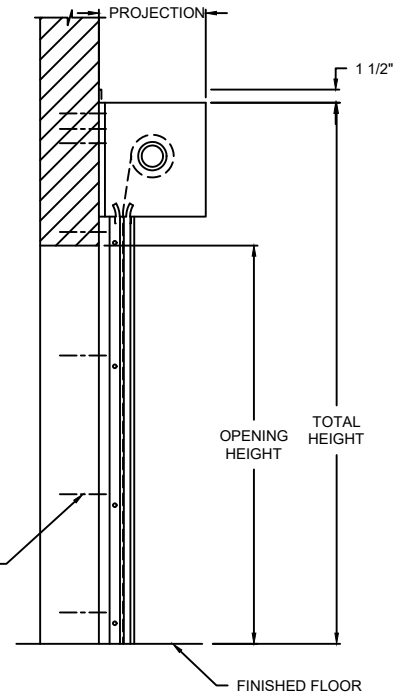
STRAIGHT WITH POLYCARBONATE SLAT DETAIL

OPTIONS

OPENING WIDTH	
OPENING HEIGHT	
SLAT OPTIONS	<input type="checkbox"/> STRAIGHT <input type="checkbox"/> STAGGERED BRICK <input type="checkbox"/> POLYCARBONATE
HOOD OPTIONS	<input type="checkbox"/> OFF <input type="checkbox"/> ON (OCTAGON) <input type="checkbox"/> ON (ROUND) <input type="checkbox"/> HOOD SUPPORT
GUIDE OPTIONS	<input type="checkbox"/> ANGLED E <input type="checkbox"/> ANGLED Z <input type="checkbox"/> EXTRUDED E <input type="checkbox"/> EXTRUDED Z <input type="checkbox"/> HIGH USAGE E <input type="checkbox"/> HIGH USAGE Z



ELEVATION



SECTION B-B

PROJECTION	
MIN.	MAX.
12" X 14"	32" X 34"



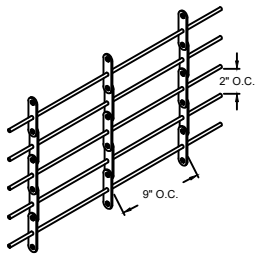
SECTION A-A

COMPONENT	MATERIAL	OPERATION	NOTES:
CURTAIN	ALUMINUM	RHX FOH LH	- ELECTRIC OPERATOR WITH AUTOMATIC EMERGENCY EGRESS; COMPLIANT WITH IBC 1008.1.4.4 & NFPA 101
GUIDES	EXTRUDED ALUMINUM		
BOTTOM BAR	EXTRUDED ALUMINUM		

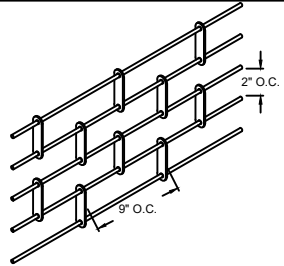
SECURITY GRILLES

670 UPWARD COILING SECURITY GRILLES - FACE MOUNT

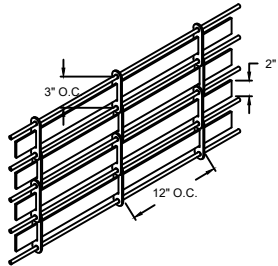
DWG. NO.	DATE:	
SHEET	BY:	



STRAIGHT LATTICE SLAT DETAIL



STAGGERED BRICK SLAT DETAIL



STRAIGHT WITH POLYCARBONATE SLAT DETAIL

OPTIONS

OPENING WIDTH

OPENING HEIGHT

SLAT OPTIONS

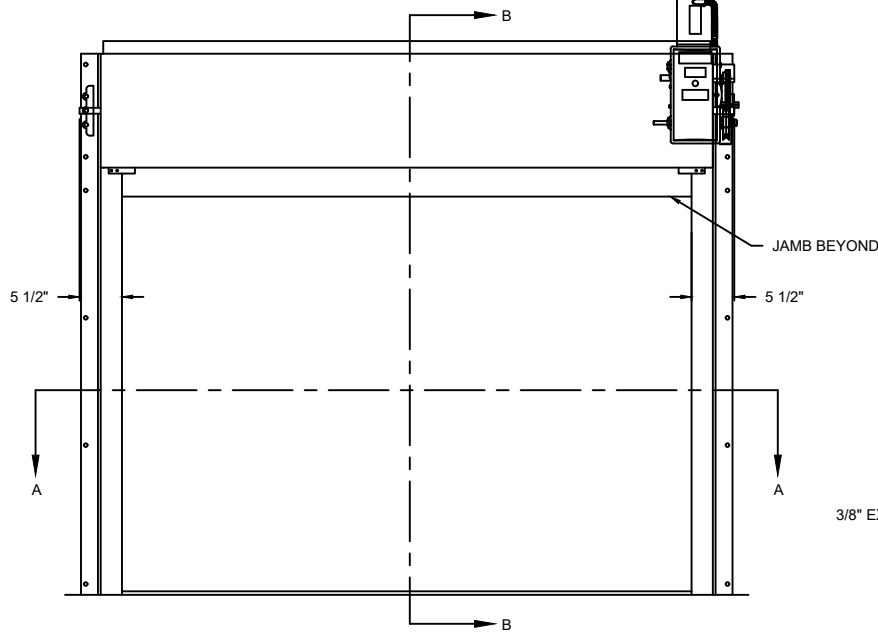
- STRAIGHT
- STAGGERED BRICK
- POLYCARBONATE

HOOD OPTIONS

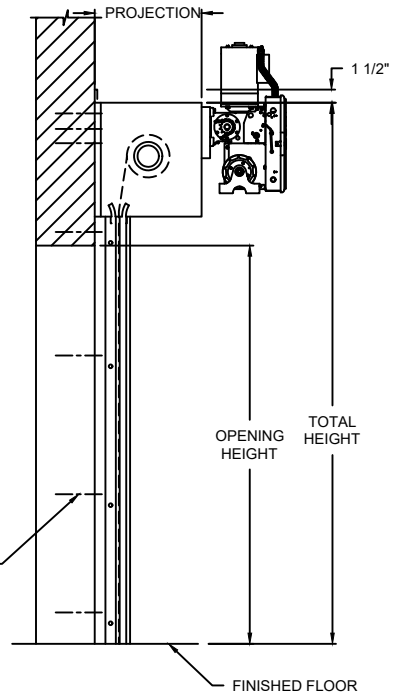
- OFF
- ON (OCTAGON)
- ON (ROUND)
- HOOD SUPPORT

GUIDE OPTIONS

- ANGLED E
- ANGLED Z
- EXTRUDED E
- EXTRUDED Z
- HIGH USAGE E
- HIGH USAGE Z



ELEVATION



SECTION B-B

PROJECTION	
MIN.	MAX.
12" X 14"	32" X 34"



SECTION A-A

COMPONENT	MATERIAL	OPERATION	NOTES:
CURTAIN	ALUMINUM	RHX FOH LH	- ELECTRIC OPERATOR WITH AUTOMATIC EMERGENCY EGRESS; COMPLIANT WITH IBC 1008.1.4.4 & NFPA 101
GUIDES	EXTRUDED ALUMINUM		
BOTTOM BAR	EXTRUDED ALUMINUM		

SECURITY GRILLES

670 UPWARD COILING SECURITY GRILLES - FACE MOUNT

DWG. NO.	DATE:	The Genuine. The Original. OVERHEAD DOOR
SHEET	BY:	