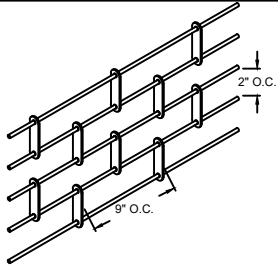
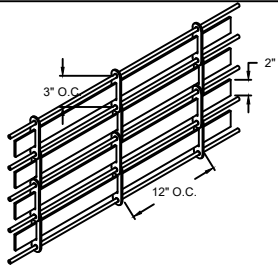


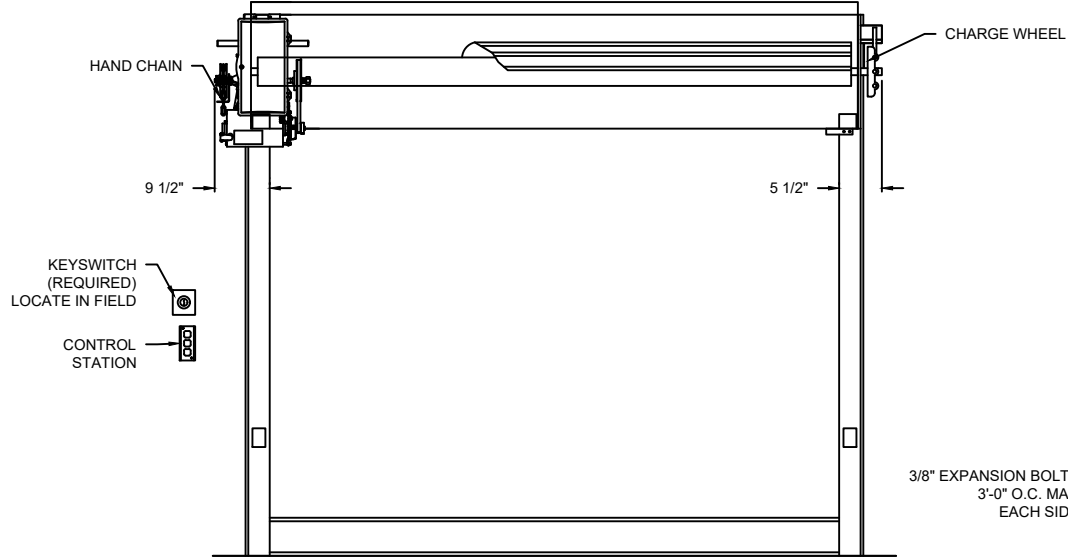
STRAIGHT LATTICE SLAT DETAIL



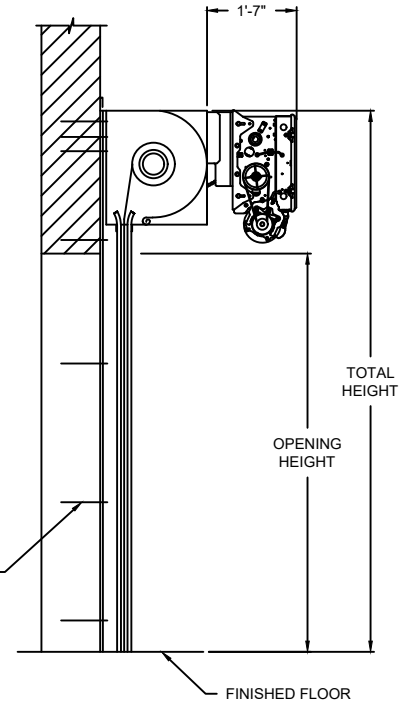
STAGGERED BRICK SLAT DETAIL



STRAIGHT WITH POLYCARBONATE SLAT DETAIL



ELEVATION



SECTION B-B

PROJECTION	
MIN.	MAX.
16" X 18"	18" X 20"



SECTION A-A

**OPTIONS**

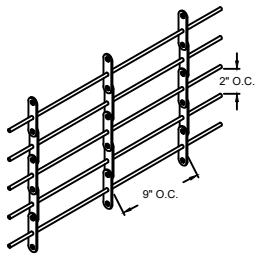
OPENING WIDTH	
OPENING HEIGHT	
SLAT OPTIONS	<input type="checkbox"/> STRAIGHT <input type="checkbox"/> STAGGERED BRICK <input type="checkbox"/> POLYCARBONATE
HOOD OPTIONS	<input type="checkbox"/> OFF <input type="checkbox"/> ON (OCTAGON) <input type="checkbox"/> ON (ROUND) <input type="checkbox"/> HOOD SUPPORT
GUIDE OPTIONS	<input type="checkbox"/> ANGLED E <input type="checkbox"/> ANGLED Z <input type="checkbox"/> EXTRUDED E <input type="checkbox"/> EXTRUDED Z <input type="checkbox"/> HIGH USAGE E <input type="checkbox"/> HIGH USAGE Z

COMPONENT	MATERIAL	OPERATION	NOTES:
CURTAIN	ALUMINUM	RSX FOH LH	- ELECTRIC OPERATOR WITH AUTOMATIC EMERGENCY EGRESS; COMPLIANT WITH IBC 1008.1.4.4 & NFPA 101
GUIDES	EXTRUDED ALUMINUM		
BOTTOM BAR	EXTRUDED ALUMINUM		

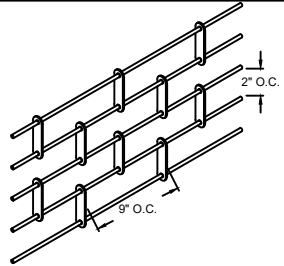
# SECURITY GRILLES

670, 671 EES UPWARD COILING SECURITY GRILLES

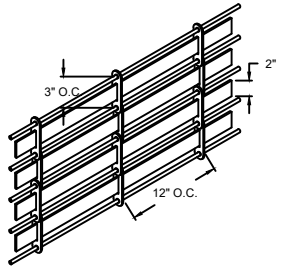
DWG. NO.	DATE:	<b>The Genuine. The Original.</b> <b>OVERHEAD DOOR</b>
SHEET	BY:	



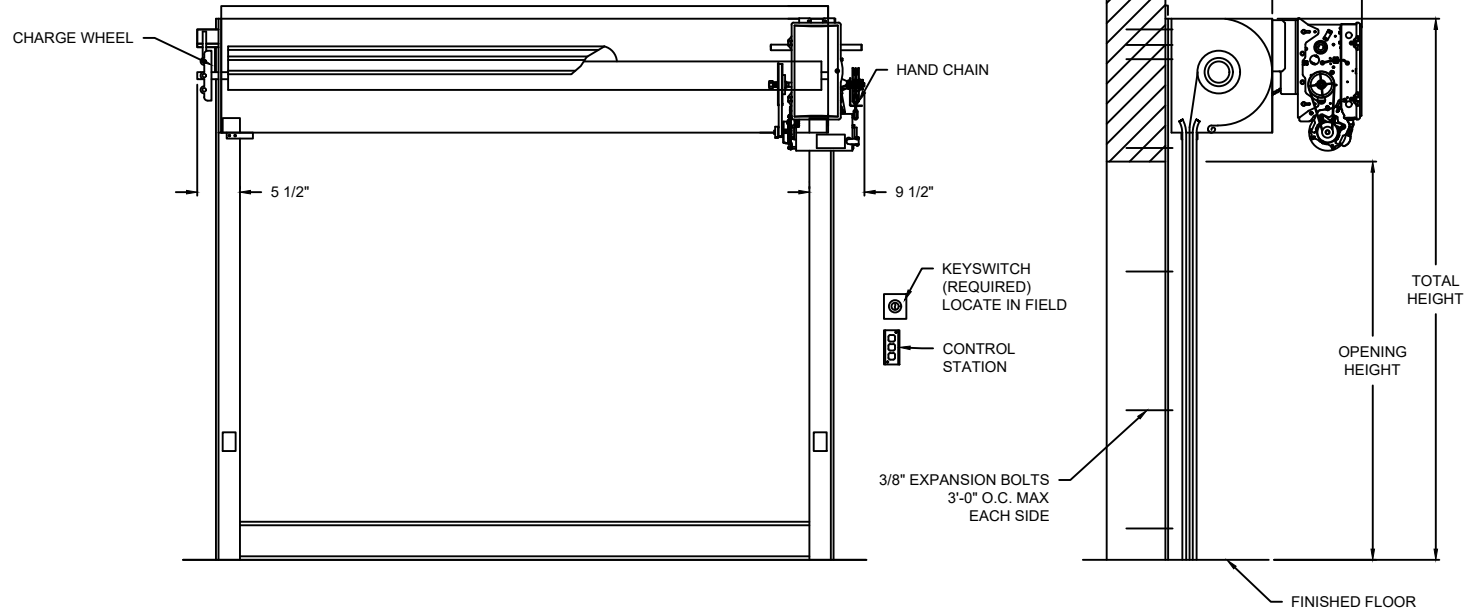
STRAIGHT LATTICE SLAT DETAIL



STAGGERED BRICK SLAT DETAIL



STRAIGHT WITH POLYCARBONATE SLAT DETAIL



ELEVATION

SECTION B-B



SECTION A-A

PROJECTION	
MIN.	MAX.
16" X 18"	18" X 20"

**OPTIONS**

OPENING WIDTH	
OPENING HEIGHT	
SLAT OPTIONS	<input type="checkbox"/> STRAIGHT <input type="checkbox"/> STAGGERED BRICK <input type="checkbox"/> POLYCARBONATE
HOOD OPTIONS	<input type="checkbox"/> OFF <input type="checkbox"/> ON (OCTAGON) <input type="checkbox"/> ON (ROUND) <input type="checkbox"/> HOOD SUPPORT
GUIDE OPTIONS	<input type="checkbox"/> ANGLED E <input type="checkbox"/> ANGLED Z <input type="checkbox"/> EXTRUDED E <input type="checkbox"/> EXTRUDED Z <input type="checkbox"/> HIGH USAGE E <input type="checkbox"/> HIGH USAGE Z

COMPONENT	MATERIAL	OPERATION	NOTES:
CURTAIN	ALUMINUM	RSX FOH LH	- ELECTRIC OPERATOR WITH AUTOMATIC EMERGENCY EGRESS; COMPLIANT WITH IBC 1008.1.4.4 & NFPA 101
GUIDES	EXTRUDED ALUMINUM		
BOTTOM BAR	EXTRUDED ALUMINUM		

# SECURITY GRILLES

670, 671 EES UPWARD COILING SECURITY GRILLES

DWG. NO.	DATE:	
SHEET	BY:	