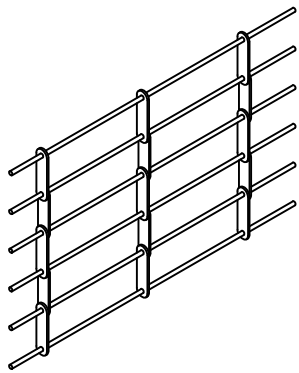
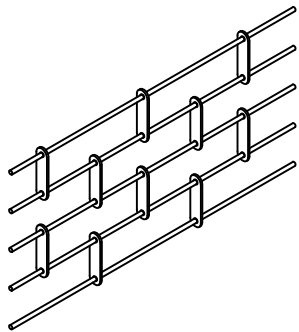


MODEL	STANDARD MAX. VALUES	
	WIDTH	HEIGHT
676	30' 4"	14' 4"



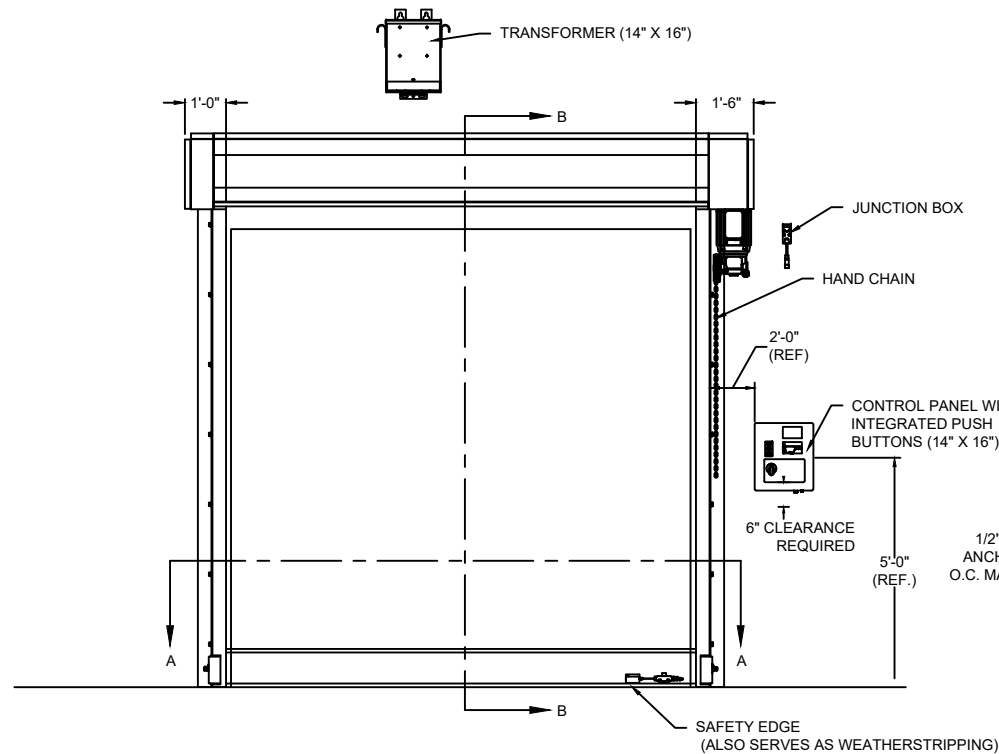
BRICK GRILLE DETAIL



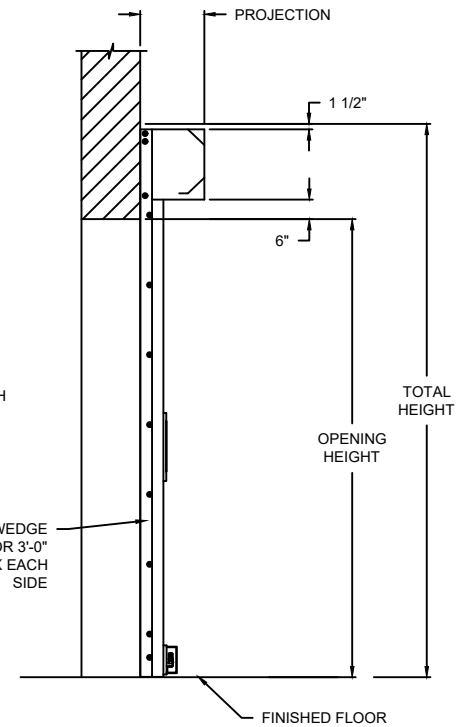
STRAIGHT LATTICE GRILLE DETAIL

OPTIONS

OPENING WIDTH	
OPENING HEIGHT	
GUIDE OPTIONS	<input type="checkbox"/> ANGLE E <input type="checkbox"/> ANGLE Z
GUIDE OPTIONS	<input type="checkbox"/> LATTICE <input type="checkbox"/> BRICK
HOOD OPTIONS	<input type="checkbox"/> INTERIOR OCTAGON <input type="checkbox"/> INTERIOR ROUND <input type="checkbox"/> INTERIOR SQUARE <input type="checkbox"/> EXTERIOR SLOPED



ELEVATION



SECTION B-B

PROJECTION	
MIN.	MAX.
12" X 14"	26" X 28"



SECTION A-A

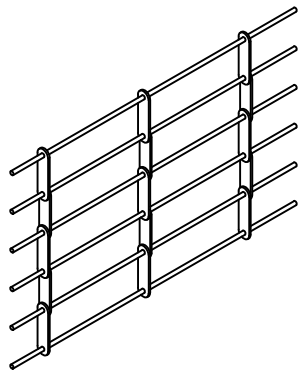
COMPONENT	MATERIAL	OPERATION	NOTES:
HOOD	24 GA. GALVANIZED STEEL	MOTOR RH 208V 1-PHASE 60HZ VIA TRANSFORMER (190-207 V RANGE)	1. DIRECT DRIVE MOTOR ONLY
CURTAIN	GALVANIZED STEEL		
GUIDES	STEEL ANGLES		
BOTTOM BAR	ALUMINUM		

RAPIDGRILLE®

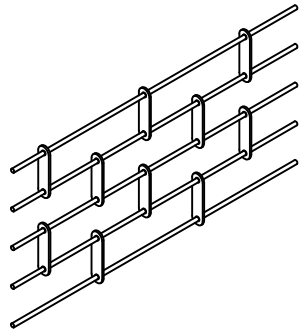
676 ADVANCED PERFORMANCE SECURITY GRILLE

DWG. NO.	DATE:	The Genuine. The Original. OVERHEAD DOOR
SHEET	BY:	

MODEL	STANDARD MAX. VALUES	
	WIDTH	HEIGHT
676	30' 4"	14' 4"



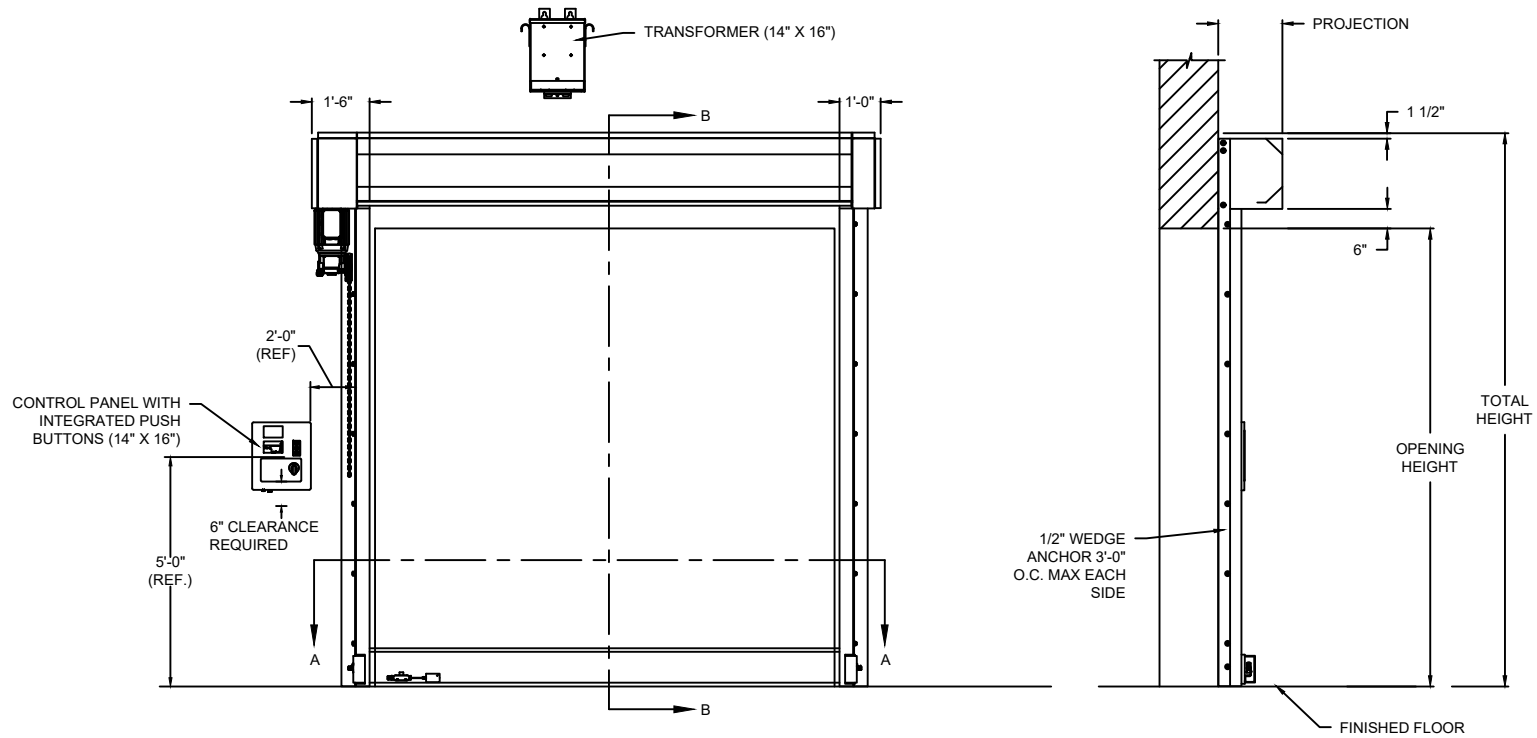
BRICK GRILLE DETAIL



STRAIGHT LATTICE GRILLE DETAIL

OPTIONS

OPENING WIDTH	
OPENING HEIGHT	
GUIDE OPTIONS	<input type="checkbox"/> ANGLE E <input type="checkbox"/> ANGLE Z
GUIDE OPTIONS	<input type="checkbox"/> LATTICE <input type="checkbox"/> BRICK
HOOD OPTIONS	<input type="checkbox"/> INTERIOR OCTAGON
	<input type="checkbox"/> INTERIOR ROUND
	<input type="checkbox"/> INTERIOR SQUARE
	<input type="checkbox"/> EXTERIOR SLOPED



ELEVATION

SECTION B-B



SECTION A-A

PROJECTION	
MIN.	MAX.
12" X 14"	26" X 28"

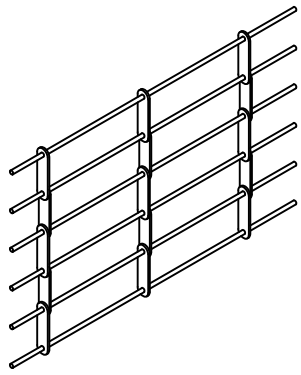
COMPONENT	MATERIAL	OPERATION	NOTES:
HOOD	24 GA. GALVANIZED STEEL	MOTOR LH 208V 1-PHASE 60HZ VIA TRANSFORMER (190-207 V RANGE)	1. DIRECT DRIVE MOTOR ONLY
CURTAIN	GALVANIZED STEEL		
GUIDES	STEEL ANGLES		
BOTTOM BAR	ALUMINUM		

RAPIDGRILLE®

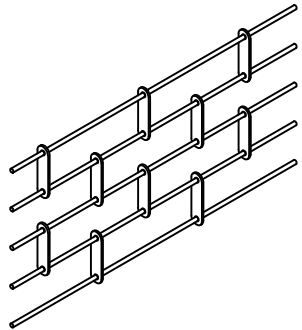
676 ADVANCED PERFORMANCE SECURITY GRILLE

DWG. NO.	DATE:	The Genuine. The Original. OVERHEAD DOOR
SHEET	BY:	

MODEL	STANDARD MAX. VALUES	
	WIDTH	HEIGHT
676	30' 4"	14' 4"



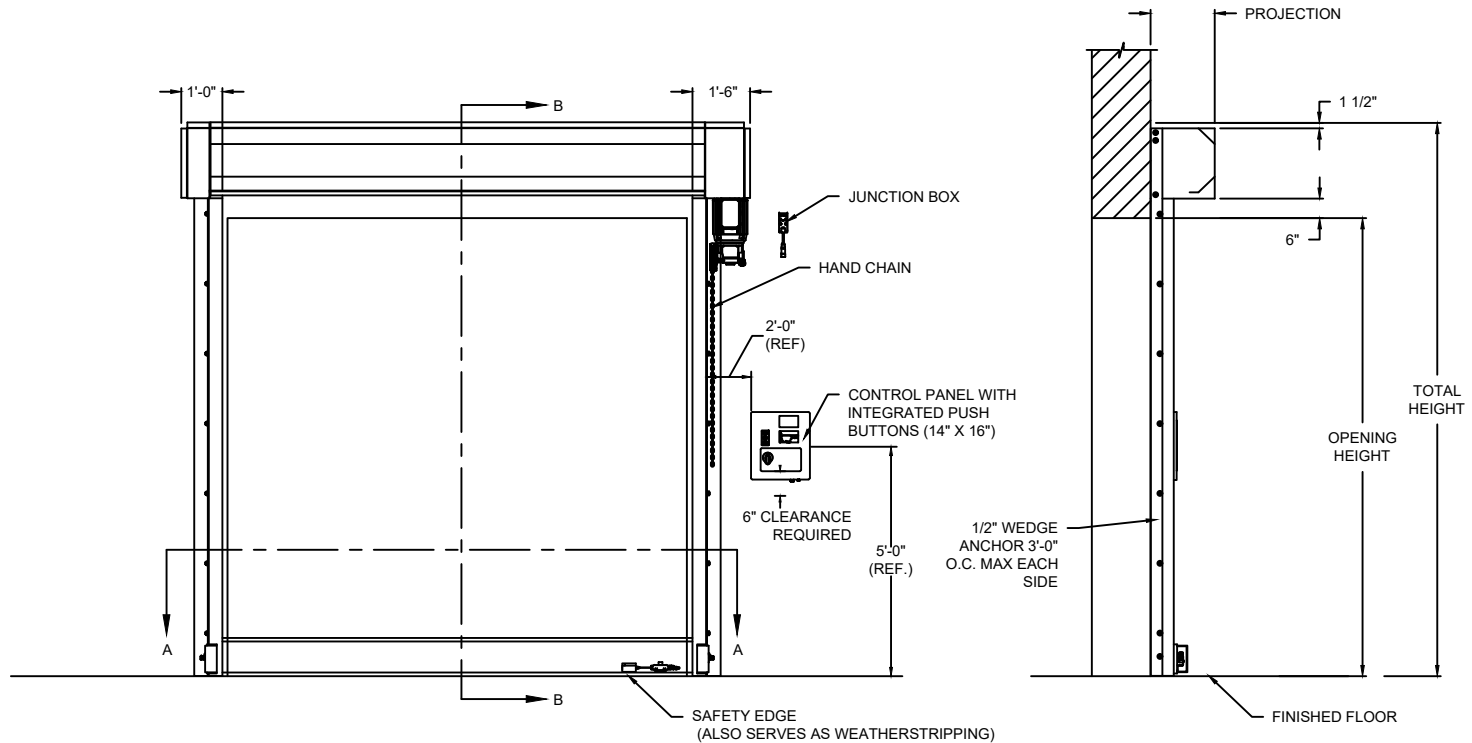
BRICK GRILLE DETAIL



STRAIGHT LATTICE GRILLE DETAIL

OPTIONS

OPENING WIDTH	
OPENING HEIGHT	
GUIDE OPTIONS	<input type="checkbox"/> ANGLE E <input type="checkbox"/> ANGLE Z
GUIDE OPTIONS	<input type="checkbox"/> LATTICE <input type="checkbox"/> BRICK
HOOD OPTIONS	<input type="checkbox"/> INTERIOR OCTAGON
	<input type="checkbox"/> INTERIOR ROUND
	<input type="checkbox"/> INTERIOR SQUARE
	<input type="checkbox"/> EXTERIOR SLOPED



ELEVATION

SECTION B-B

PROJECTION	
MIN.	MAX.
12" X 14"	26" X 28"



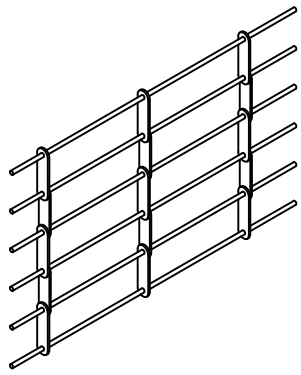
SECTION A-A

COMPONENT	MATERIAL	OPERATION	NOTES:
HOOD	24 GA. GALVANIZED STEEL	MOTOR RH 230V 1-PHASE 60HZ VIA (208-245 V RANGE)	1. DIRECT DRIVE MOTOR ONLY
CURTAIN	GALVANIZED STEEL		
GUIDES	STEEL ANGLES		
BOTTOM BAR	ALUMINUM		

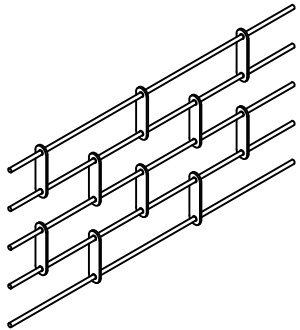
RAPIDGRILLE®

676 ADVANCED PERFORMANCE SECURITY GRILLE

DWG. NO.	DATE:	The Genuine. The Original.
SHEET	BY:	

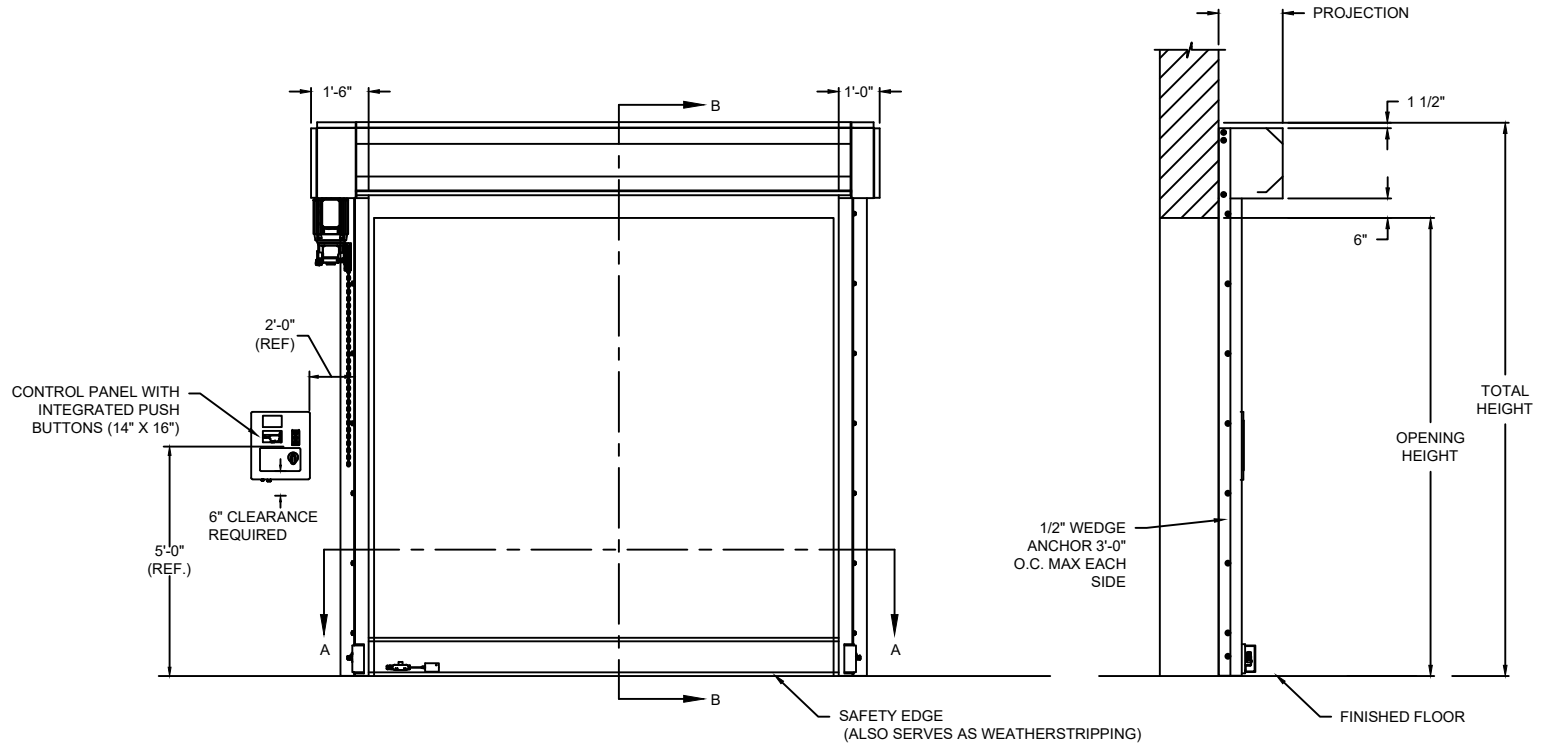


BRICK GRILLE DETAIL



STRAIGHT LATTICE GRILLE DETAIL

MODEL	STANDARD MAX. VALUES	
	WIDTH	HEIGHT
676	30' 4"	14' 4"



ELEVATION

SECTION B-B

PROJECTION	
MIN.	MAX.
12" X 14"	26" X 28"



SECTION A-A

OPTIONS

OPENING WIDTH	
OPENING HEIGHT	
GUIDE OPTIONS	<input type="checkbox"/> ANGLE E <input type="checkbox"/> ANGLE Z
GUIDE OPTIONS	<input type="checkbox"/> LATTICE <input type="checkbox"/> BRICK
HOOD OPTIONS	<input type="checkbox"/> INTERIOR OCTAGON
	<input type="checkbox"/> INTERIOR ROUND
	<input type="checkbox"/> INTERIOR SQUARE
	<input type="checkbox"/> EXTERIOR SLOPED

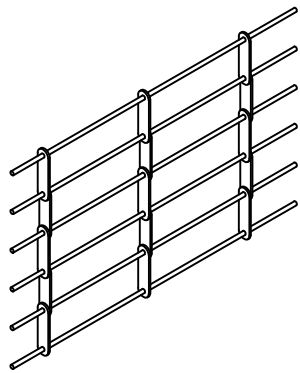
COMPONENT	MATERIAL	OPERATION	NOTES:
HOOD	24 GA. GALVANIZED STEEL	MOTOR LH 230V 1-PHASE 60HZ VIA (208-245 V RANGE)	1. DIRECT DRIVE MOTOR ONLY
CURTAIN	GALVANIZED STEEL		
GUIDES	STEEL ANGLES		
BOTTOM BAR	ALUMINUM		

RAPIDGRILLE®

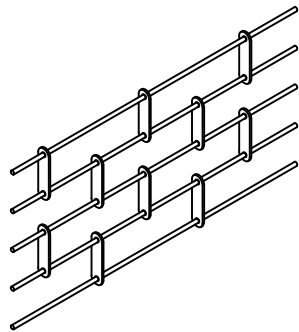
676 ADVANCED PERFORMANCE SECURITY GRILLE

DWG. NO.	DATE:	
SHEET	BY:	

MODEL	STANDARD MAX. VALUES	
	WIDTH	HEIGHT
676	30' 4"	14' 4"



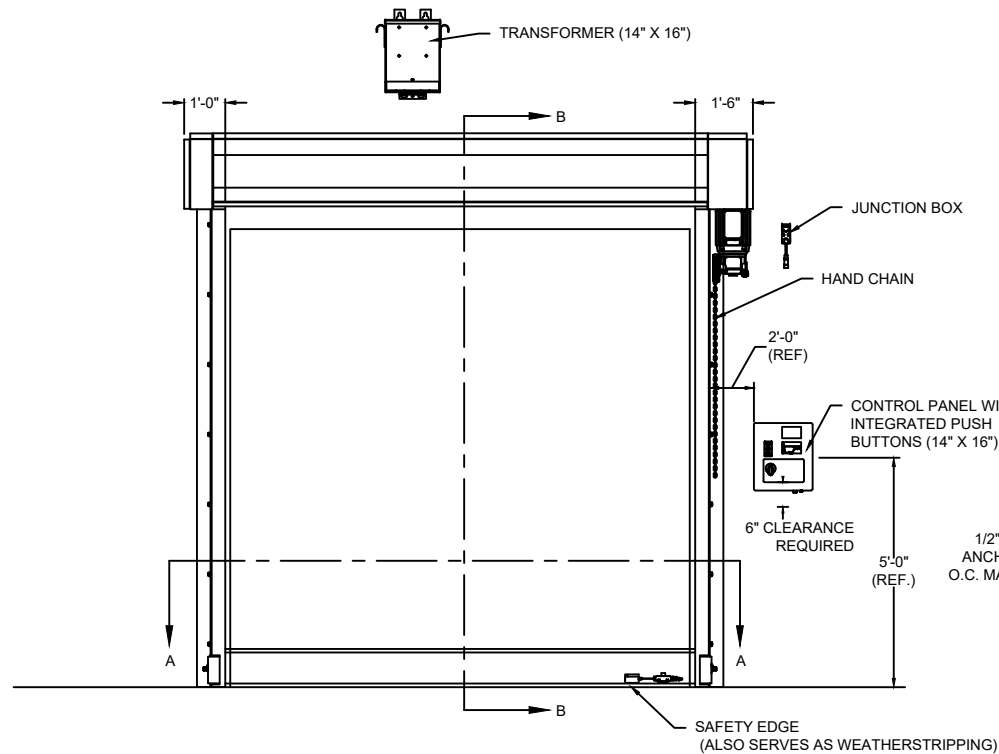
BRICK GRILLE DETAIL



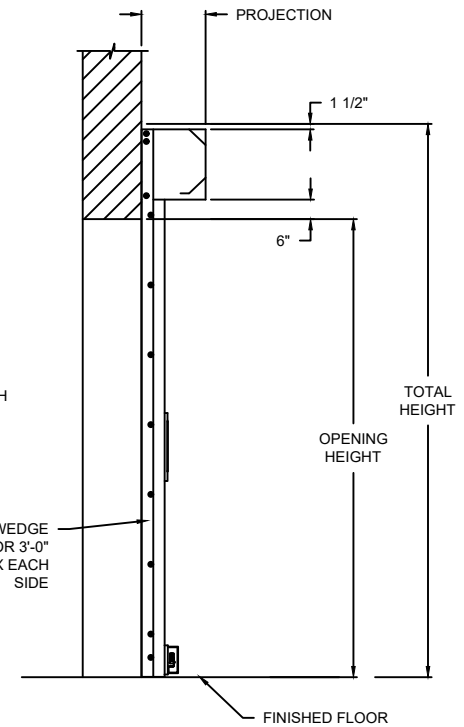
STRAIGHT LATTICE GRILLE DETAIL

OPTIONS

OPENING WIDTH	
OPENING HEIGHT	
GUIDE OPTIONS	<input type="checkbox"/> ANGLE E <input type="checkbox"/> ANGLE Z
GUIDE OPTIONS	<input type="checkbox"/> LATTICE <input type="checkbox"/> BRICK
HOOD OPTIONS	<input type="checkbox"/> INTERIOR OCTAGON
	<input type="checkbox"/> INTERIOR ROUND
	<input type="checkbox"/> INTERIOR SQUARE
	<input type="checkbox"/> EXTERIOR SLOPED



ELEVATION



SECTION B-B

PROJECTION	
MIN.	MAX.
12" X 14"	26" X 28"



SECTION A-A

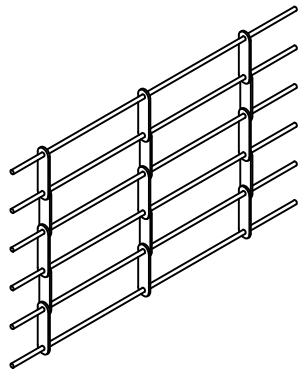
RAPIDGRILLE®

676 ADVANCED PERFORMANCE SECURITY GRILLE

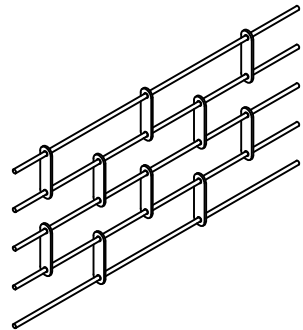
DWG. NO.	DATE:	The Genuine. The Original.
SHEET	BY:	

COMPONENT	MATERIAL	OPERATION	NOTES:
HOOD	24 GA. GALVANIZED STEEL	MOTOR RH 208V 3-PHASE 60HZ VIA TRANSFORMER (190-207 V RANGE)	1. DIRECT DRIVE MOTOR ONLY
CURTAIN	GALVANIZED STEEL		
GUIDES	STEEL ANGLES		
BOTTOM BAR	ALUMINUM		

MODEL	STANDARD MAX. VALUES	
	WIDTH	HEIGHT
676	30' 4"	14' 4"



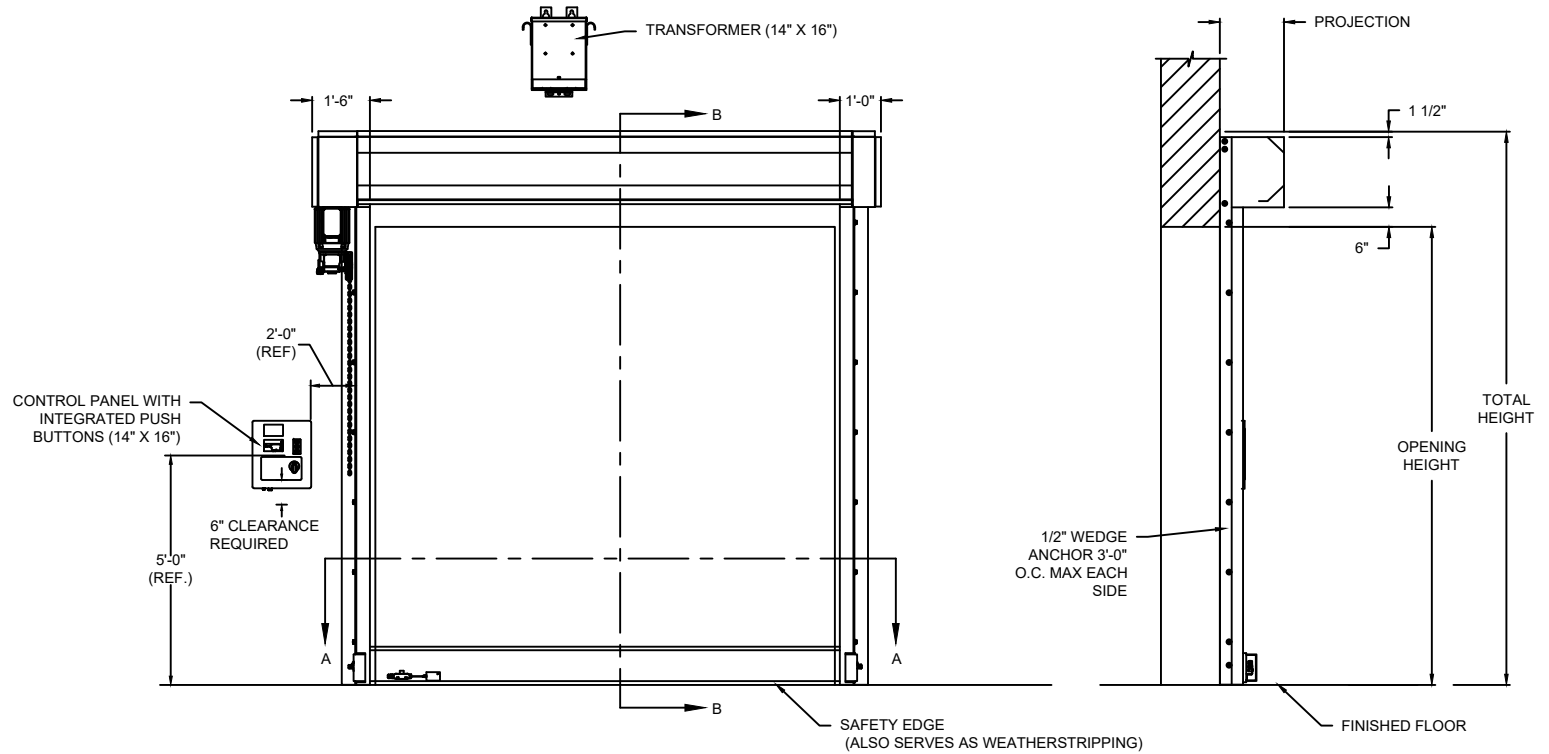
BRICK GRILLE DETAIL



STRAIGHT LATTICE GRILLE DETAIL

OPTIONS

OPENING WIDTH	
OPENING HEIGHT	
GUIDE OPTIONS	<input type="checkbox"/> ANGLE E <input type="checkbox"/> ANGLE Z
GUIDE OPTIONS	<input type="checkbox"/> LATTICE <input type="checkbox"/> BRICK
HOOD OPTIONS	<input type="checkbox"/> INTERIOR OCTAGON <input type="checkbox"/> INTERIOR ROUND <input type="checkbox"/> INTERIOR SQUARE <input type="checkbox"/> EXTERIOR SLOPED



ELEVATION

SECTION B-B

PROJECTION	
MIN.	MAX.
12" X 14"	26" X 28"



SECTION A-A

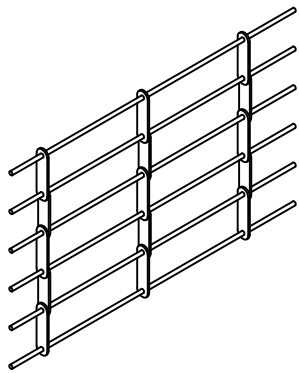
COMPONENT	MATERIAL	OPERATION	NOTES:
HOOD	24 GA. GALVANIZED STEEL	MOTOR LH 208V 3-PHASE 60HZ VIA TRANSFORMER (190-207 V RANGE)	1. DIRECT DRIVE MOTOR ONLY
CURTAIN	GALVANIZED STEEL		
GUIDES	STEEL ANGLES		
BOTTOM BAR	ALUMINUM		

RAPIDGRILLE®

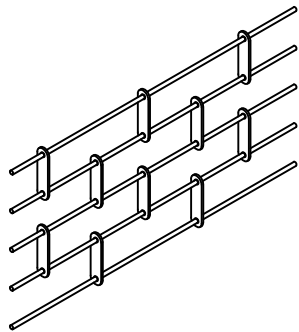
676 ADVANCED PERFORMANCE SECURITY GRILLE

DWG. NO.	DATE:	The Genuine. The Original. OVERHEAD DOOR
SHEET	BY:	

MODEL	STANDARD MAX. VALUES	
	WIDTH	HEIGHT
676	30' 4"	14' 4"



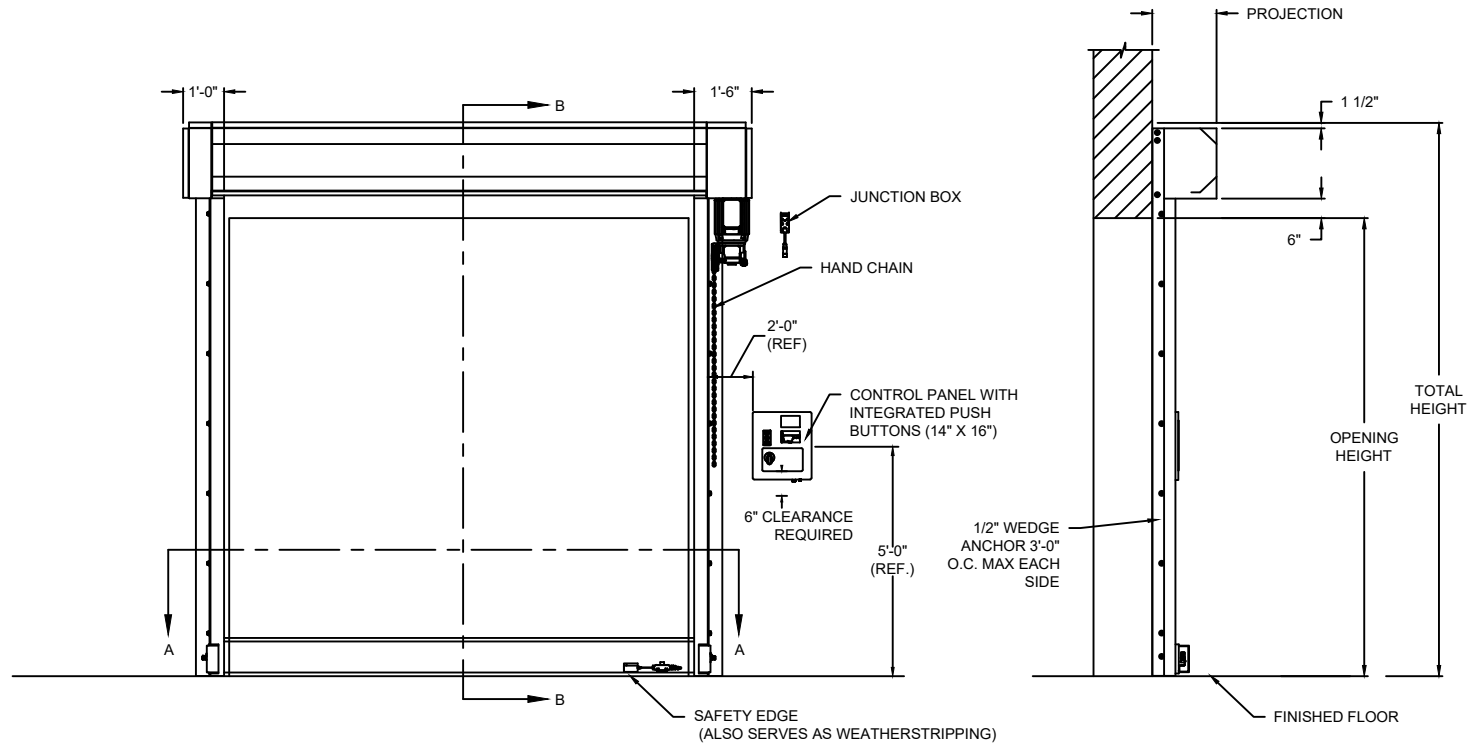
BRICK GRILLE DETAIL



STRAIGHT LATTICE GRILLE DETAIL

OPTIONS

OPENING WIDTH	
OPENING HEIGHT	
GUIDE OPTIONS	<input type="checkbox"/> ANGLE E <input type="checkbox"/> ANGLE Z
GUIDE OPTIONS	<input type="checkbox"/> LATTICE <input type="checkbox"/> BRICK
HOOD OPTIONS	<input type="checkbox"/> INTERIOR OCTOGON <input type="checkbox"/> INTERIOR ROUND <input type="checkbox"/> INTERIOR SQUARE <input type="checkbox"/> EXTERIOR SLOPED



ELEVATION

SECTION B-B

PROJECTION	
MIN.	MAX.
12" X 14"	26" X 28"



SECTION A-A

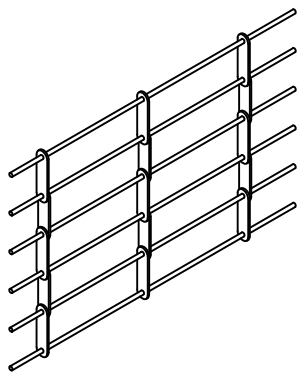
COMPONENT	MATERIAL	OPERATION	NOTES:
HOOD	24 GA. GALVANIZED STEEL	MOTOR RH 230V 3-PHASE 60HZ VIA TRANSFORMER (208-245 V RANGE)	1. DIRECT DRIVE MOTOR ONLY
CURTAIN	GALVANIZED STEEL		
GUIDES	STEEL ANGLES		
BOTTOM BAR	ALUMINUM		

RAPIDGRILLE®

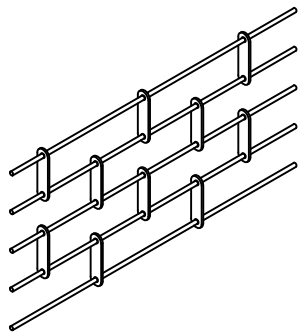
676 ADVANCED PERFORMANCE SECURITY GRILLE

DWG. NO.	DATE:	The Genuine. The Original. OVERHEAD DOOR
SHEET	BY:	

MODEL	STANDARD MAX. VALUES	
	WIDTH	HEIGHT
676	30' 4"	14' 4"



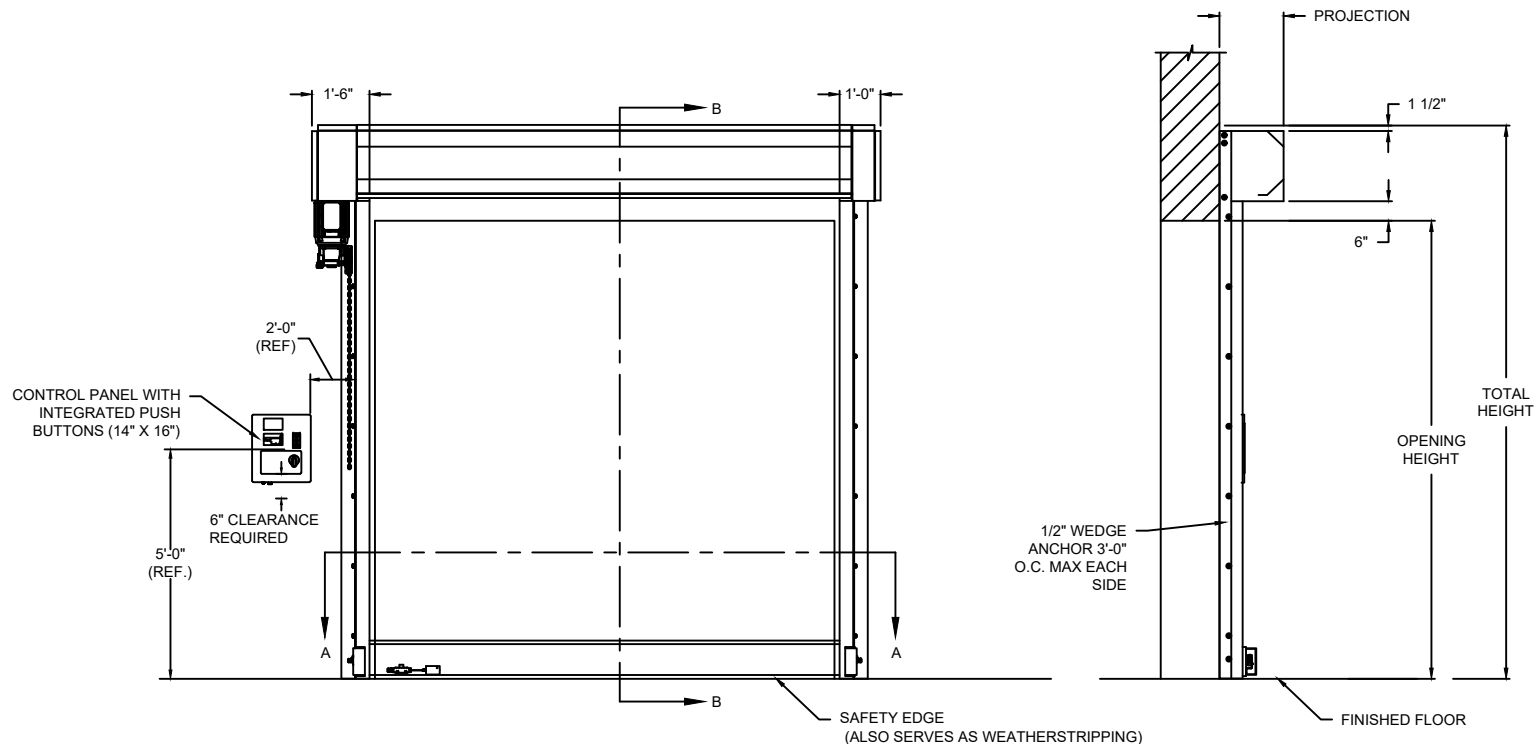
BRICK GRILLE DETAIL



STRAIGHT LATTICE GRILLE DETAIL

OPTIONS

OPENING WIDTH	
OPENING HEIGHT	
GUIDE OPTIONS	<input type="checkbox"/> ANGLE E <input type="checkbox"/> ANGLE Z
GUIDE OPTIONS	<input type="checkbox"/> LATTICE <input type="checkbox"/> BRICK
HOOD OPTIONS	<input type="checkbox"/> INTERIOR OCTAGON <input type="checkbox"/> INTERIOR ROUND <input type="checkbox"/> INTERIOR SQUARE <input type="checkbox"/> EXTERIOR SLOPED



ELEVATION

SECTION B-B

PROJECTION	
MIN.	MAX.
12" X 14"	26" X 28"



SECTION A-A

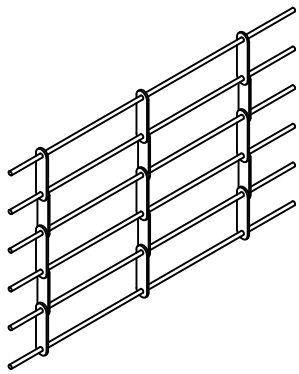
COMPONENT	MATERIAL	OPERATION	NOTES:
HOOD	24 GA. GALVANIZED STEEL	MOTOR LH 230V 3-PHASE 60HZ VIA TRANSFORMER (208-245 V RANGE)	1. DIRECT DRIVE MOTOR ONLY
CURTAIN	GALVANIZED STEEL		
GUIDES	STEEL ANGLES		
BOTTOM BAR	ALUMINUM		

RAPIDGRILLE®

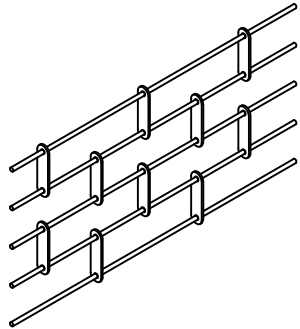
676 ADVANCED PERFORMANCE SECURITY GRILLE

DWG. NO.	DATE:	The Genuine. The Original. OVERHEAD DOOR
SHEET	BY:	

MODEL	STANDARD MAX. VALUES	
	WIDTH	HEIGHT
676	30' 4"	14' 4"



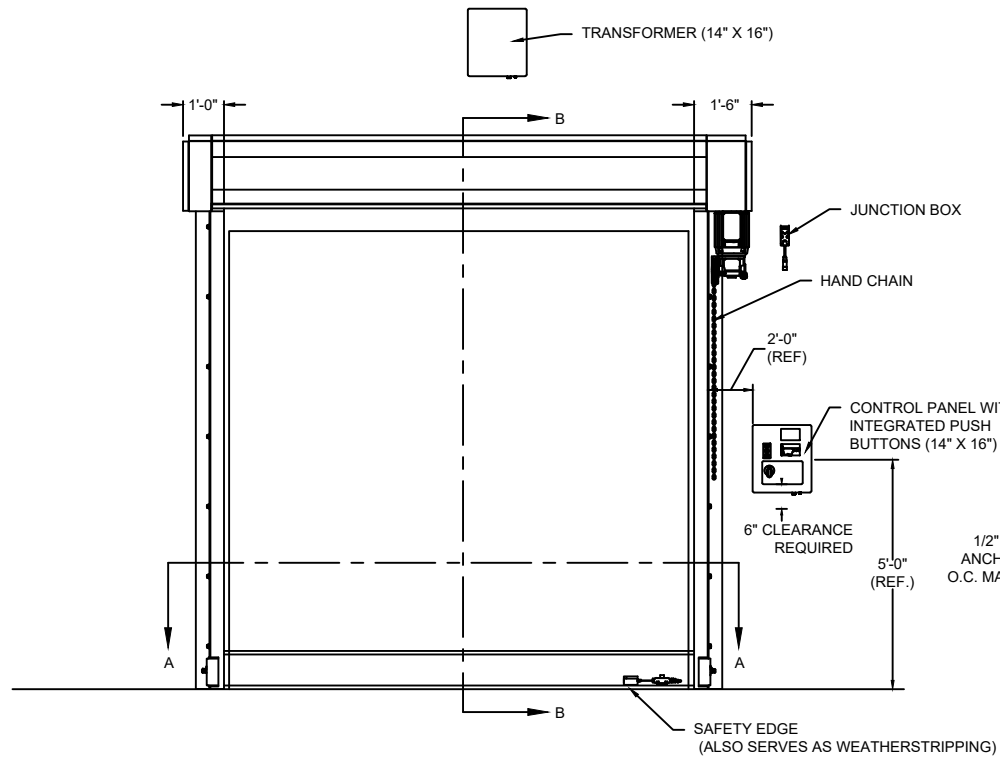
BRICK GRILLE DETAIL



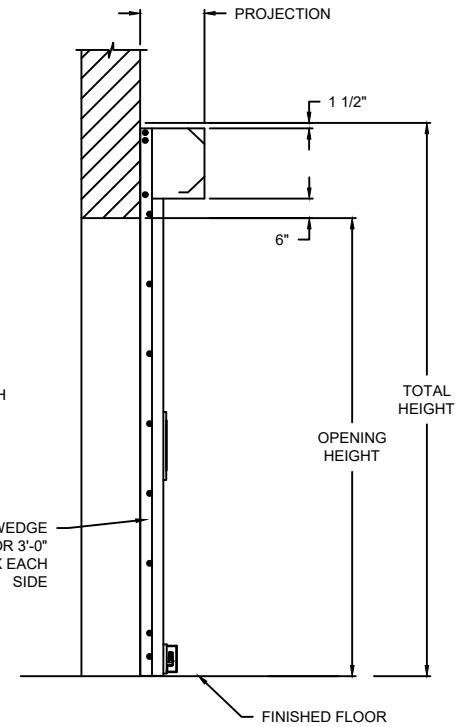
STRAIGHT LATTICE GRILLE DETAIL

OPTIONS

OPENING WIDTH	
OPENING HEIGHT	
GUIDE OPTIONS	<input type="checkbox"/> ANGLE E <input type="checkbox"/> ANGLE Z
GUIDE OPTIONS	<input type="checkbox"/> LATTICE <input type="checkbox"/> BRICK
HOOD OPTIONS	<input type="checkbox"/> INTERIOR OCTOGON <input type="checkbox"/> INTERIOR ROUND <input type="checkbox"/> INTERIOR SQUARE <input type="checkbox"/> EXTERIOR SLOPED



ELEVATION



SECTION B-B

PROJECTION	
MIN.	MAX.
12" X 14"	26" X 28"



SECTION A-A

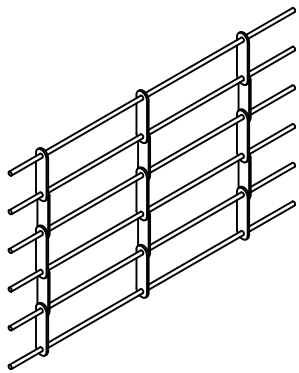
COMPONENT	MATERIAL	OPERATION	NOTES:
HOOD	24 GA. GALVANIZED STEEL	MOTOR RH 460V 3-PHASE 60HZ VIA TRANSFORMER (456-495V RANGE)	1. DIRECT DRIVE MOTOR ONLY
CURTAIN	GALVANIZED STEEL		
GUIDES	STEEL ANGLES		
BOTTOM BAR	ALUMINUM		

RAPIDGRILLE®

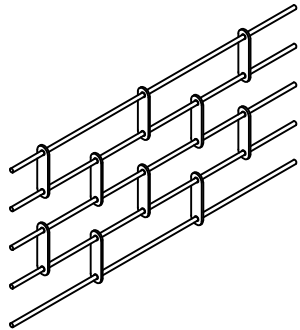
676 ADVANCED PERFORMANCE SECURITY GRILLE

DWG. NO.	DATE:	The Genuine. The Original.
SHEET	BY:	

MODEL	STANDARD MAX. VALUES	
	WIDTH	HEIGHT
676	30' 4"	14' 4"



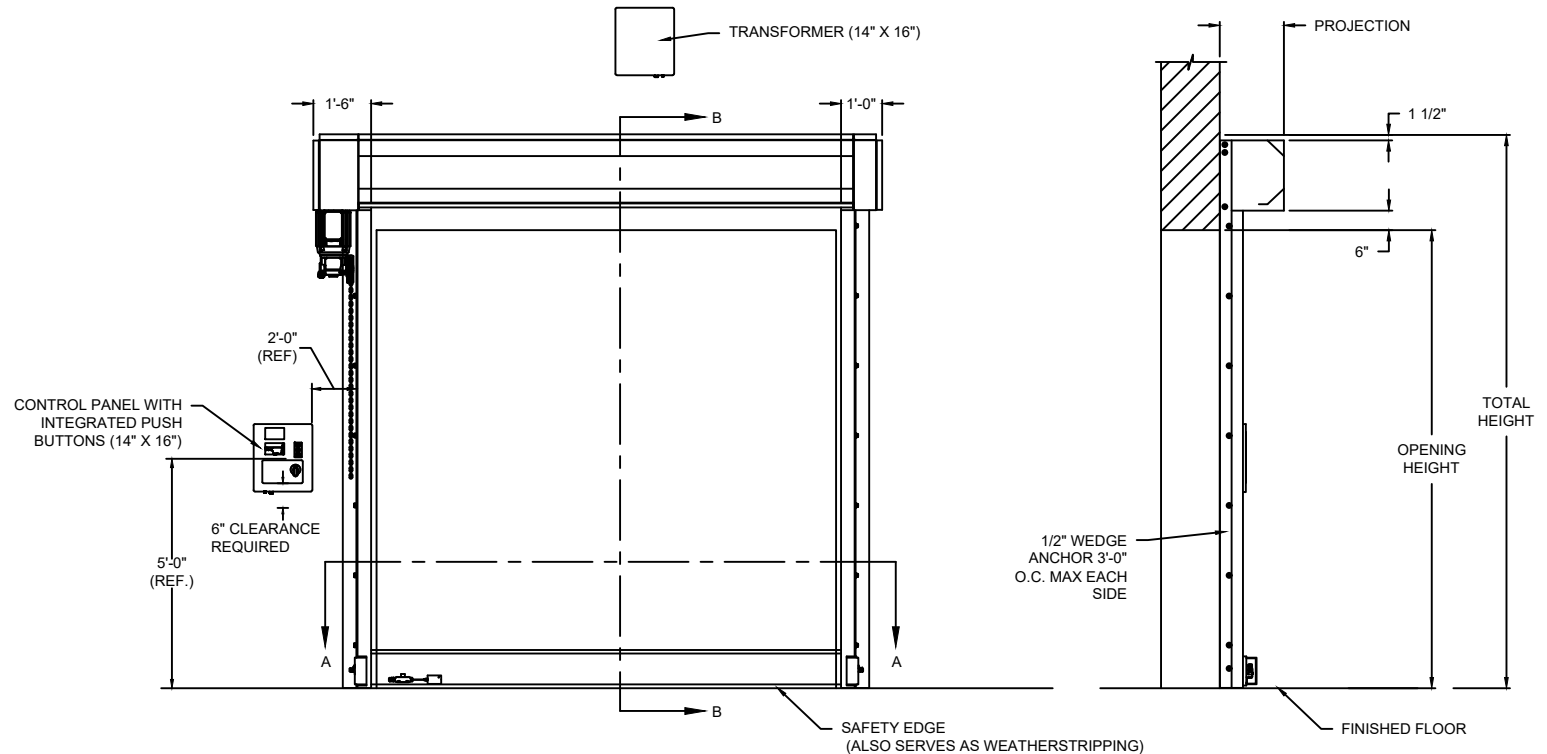
BRICK GRILLE DETAIL



STRAIGHT LATTICE GRILLE DETAIL

OPTIONS

OPENING WIDTH	
OPENING HEIGHT	
GUIDE OPTIONS	<input type="checkbox"/> ANGLE E <input type="checkbox"/> ANGLE Z
GUIDE OPTIONS	<input type="checkbox"/> LATTICE <input type="checkbox"/> BRICK
HOOD OPTIONS	<input type="checkbox"/> INTERIOR OCTAGON <input type="checkbox"/> INTERIOR ROUND <input type="checkbox"/> INTERIOR SQUARE <input type="checkbox"/> EXTERIOR SLOPED



ELEVATION

SECTION B-B

PROJECTION	
MIN.	MAX.
12" X 14"	26" X 28"



SECTION A-A

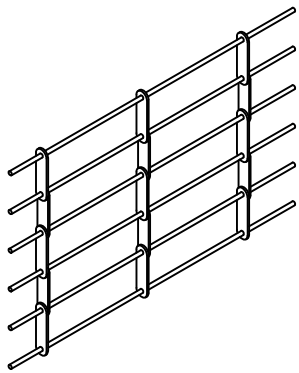
COMPONENT	MATERIAL	OPERATION	NOTES:
HOOD	24 GA. GALVANIZED STEEL	MOTOR LH 460V 3-PHASE 60HZ VIA TRANSFORMER (456-495V RANGE)	1. DIRECT DRIVE MOTOR ONLY
CURTAIN	GALVANIZED STEEL		
GUIDES	STEEL ANGLES		
BOTTOM BAR	ALUMINUM		

RAPIDGRILLE®

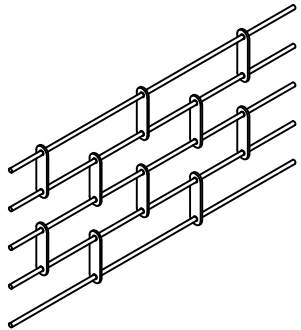
676 ADVANCED PERFORMANCE SECURITY GRILLE

DWG. NO.	DATE:	The Genuine. The Original. OVERHEAD DOOR
SHEET	BY:	

MODEL	STANDARD MAX. VALUES	
	WIDTH	HEIGHT
676	30' 4"	14' 4"



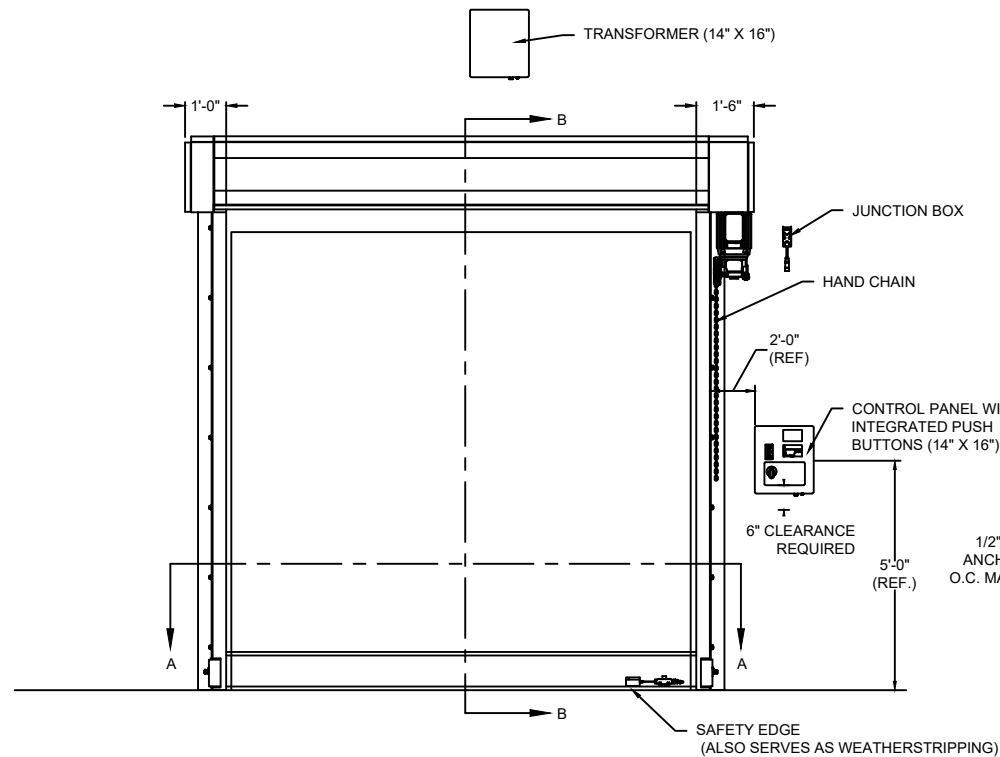
BRICK GRILLE DETAIL



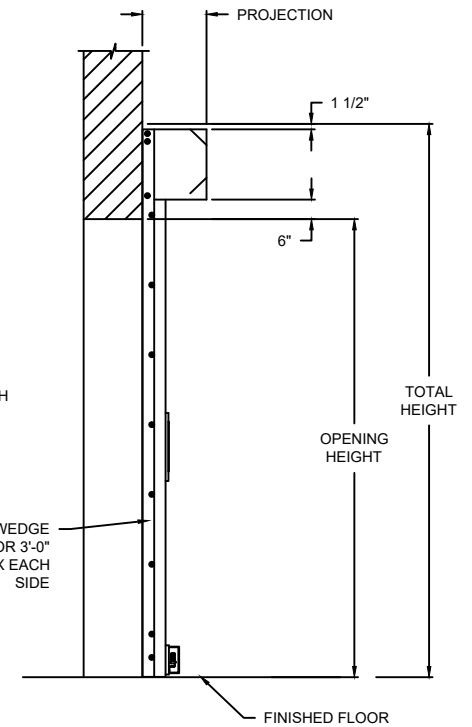
STRAIGHT LATTICE GRILLE DETAIL

OPTIONS

OPENING WIDTH	
OPENING HEIGHT	
GUIDE OPTIONS	<input type="checkbox"/> ANGLE E <input type="checkbox"/> ANGLE Z
GUIDE OPTIONS	<input type="checkbox"/> LATTICE <input type="checkbox"/> BRICK
HOOD OPTIONS	<input type="checkbox"/> INTERIOR OCTAGON
	<input type="checkbox"/> INTERIOR ROUND
	<input type="checkbox"/> INTERIOR SQUARE
	<input type="checkbox"/> EXTERIOR SLOPED



ELEVATION



SECTION B-B

PROJECTION	
MIN.	MAX.
12" X 14"	26" X 28"



SECTION A-A

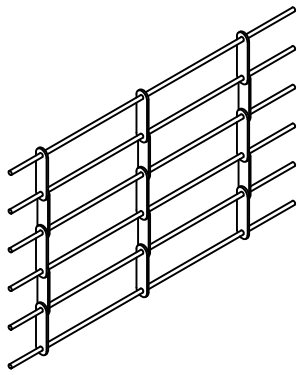
COMPONENT	MATERIAL	OPERATION	NOTES:
HOOD	24 GA. GALVANIZED STEEL	MOTOR RH 575 V 3-PHASE 60HZ	1. DIRECT DRIVE MOTOR ONLY
CURTAIN	GALVANIZED STEEL		
GUIDES	STEEL ANGLES		
BOTTOM BAR	ALUMINUM		

RAPIDGRILLE®

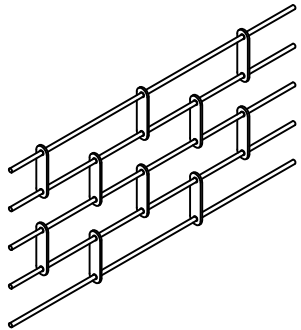
676 ADVANCED PERFORMANCE SECURITY GRILLE

DWG. NO.	DATE:	The Genuine. The Original. OVERHEAD DOOR
SHEET	BY:	

MODEL	STANDARD MAX. VALUES	
	WIDTH	HEIGHT
676	30' 4"	14' 4"



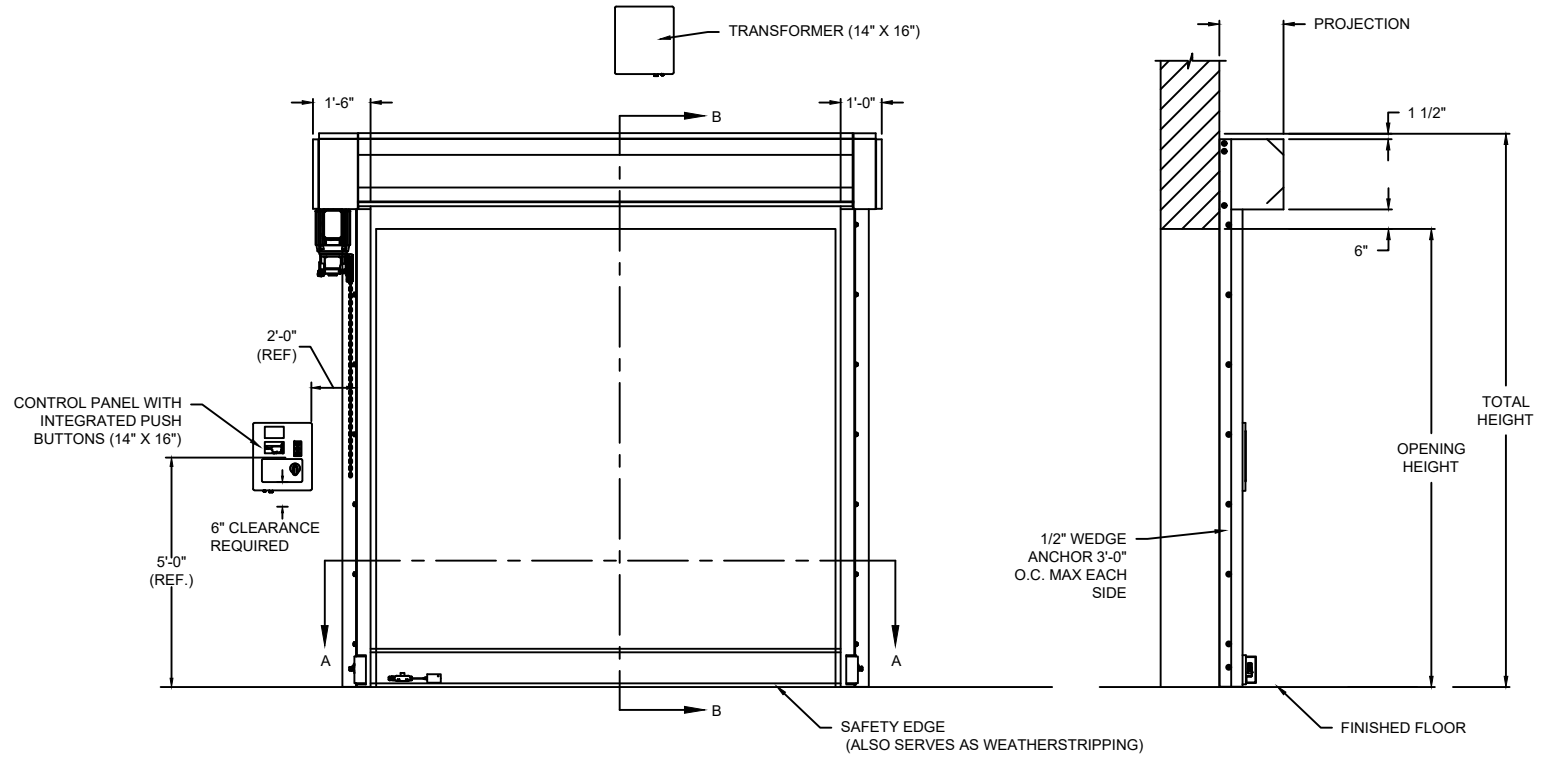
BRICK GRILLE DETAIL



STRAIGHT LATTICE GRILLE DETAIL

OPTIONS

OPENING WIDTH	
OPENING HEIGHT	
GUIDE OPTIONS	<input type="checkbox"/> ANGLE E <input type="checkbox"/> ANGLE Z
GUIDE OPTIONS	<input type="checkbox"/> LATTICE <input type="checkbox"/> BRICK
HOOD OPTIONS	<input type="checkbox"/> INTERIOR OCTAGON <input type="checkbox"/> INTERIOR ROUND <input type="checkbox"/> INTERIOR SQUARE <input type="checkbox"/> EXTERIOR SLOPED



ELEVATION

SECTION B-B



SECTION A-A

PROJECTION	
MIN.	MAX.
12" X 14"	26" X 28"

COMPONENT	MATERIAL	OPERATION	NOTES:
HOOD	24 GA. GALVANIZED STEEL	MOTOR LH 575 V 3-PHASE 60HZ	1. DIRECT DRIVE MOTOR ONLY
CURTAIN	GALVANIZED STEEL		
GUIDES	STEEL ANGLES		
BOTTOM BAR	ALUMINUM		

RAPIDGRILLE®

676 ADVANCED PERFORMANCE SECURITY GRILLE

DWG. NO.	DATE:	The Genuine. The Original. OVERHEAD DOOR
SHEET	BY:	