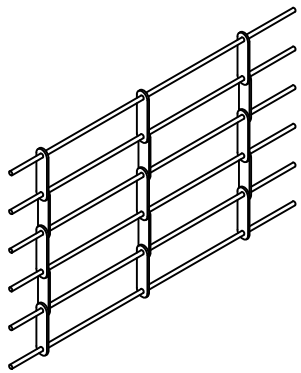
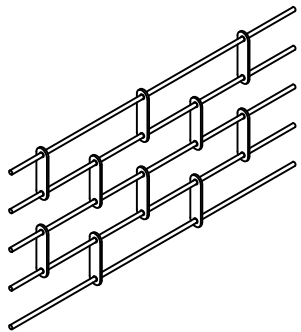


MODEL	STANDARD MAX. VALUES	
	WIDTH	HEIGHT
671S	30'	14' 4"



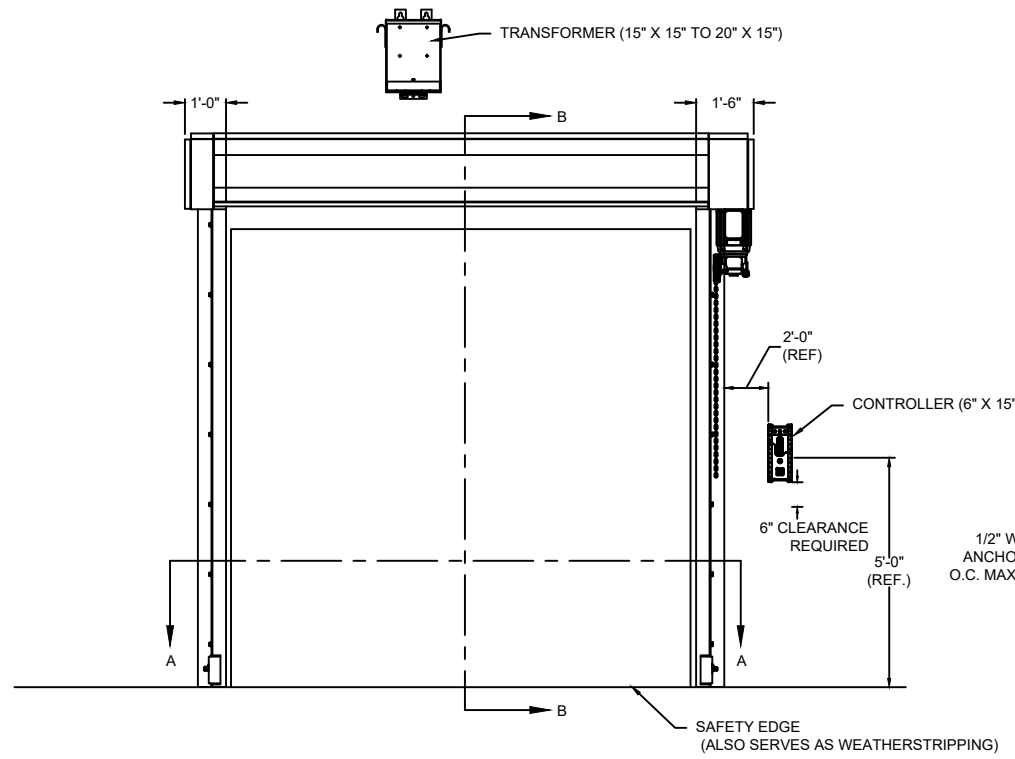
BRICK GRILLE DETAIL



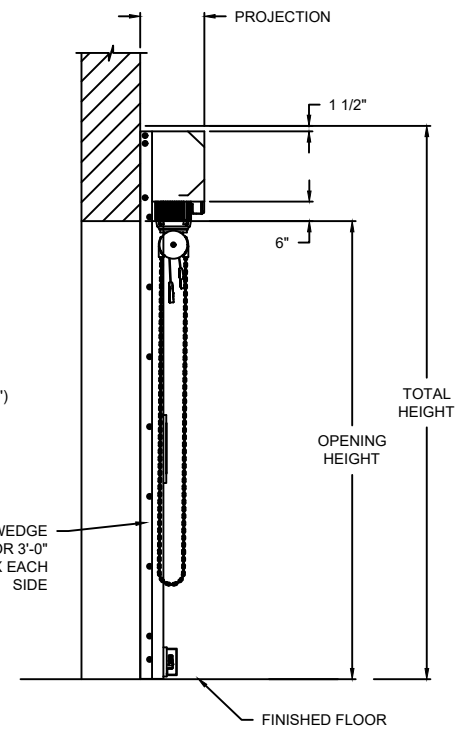
STRAIGHT LATTICE GRILLE DETAIL

**OPTIONS**

OPENING WIDTH	
OPENING HEIGHT	
GUIDE OPTIONS	<input type="checkbox"/> ANGLE E <input type="checkbox"/> ANGLE Z
GUIDE OPTIONS	<input type="checkbox"/> LATTICE <input type="checkbox"/> BRICK
SAFETY EDGE OPTIONS	<input type="checkbox"/> ON RIGHT <input type="checkbox"/> ON LEFT
HOOD OPTIONS	<input type="checkbox"/> INTERIOR OCTAGON <input type="checkbox"/> INTERIOR ROUND <input type="checkbox"/> INTERIOR SQUARE <input type="checkbox"/> EXTERIOR SLOPED



ELEVATION



SECTION B-B

PROJECTION	
MIN.	MAX.
12" X 14"	26" X 28"



SECTION A-A

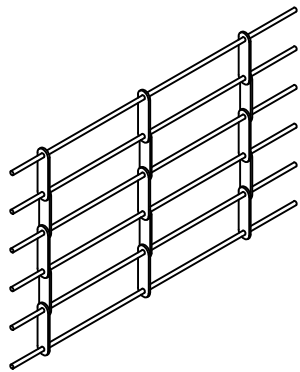
COMPONENT	MATERIAL	OPERATION	NOTES:
HOOD	24 GA. GALVANIZED STEEL	MOTOR RH 208V 1-PHASE 60HZ VIA TRANSFORMER (190-207 V RANGE)	1. DIRECT DRIVE MOTOR ONLY
CURTAIN	GALVANIZED STEEL		
GUIDES	ALUMINUM		
BOTTOM BAR	ALUMINUM		

**EVERSERVE™**

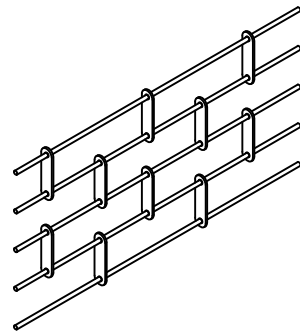
671S SPRINGLESS SECURITY GRILLES

DWG. NO.	DATE:	<b>The Genuine. The Original.</b> 
SHEET	BY:	

MODEL	STANDARD MAX. VALUES	
	WIDTH	HEIGHT
671S	30'	14' 4"



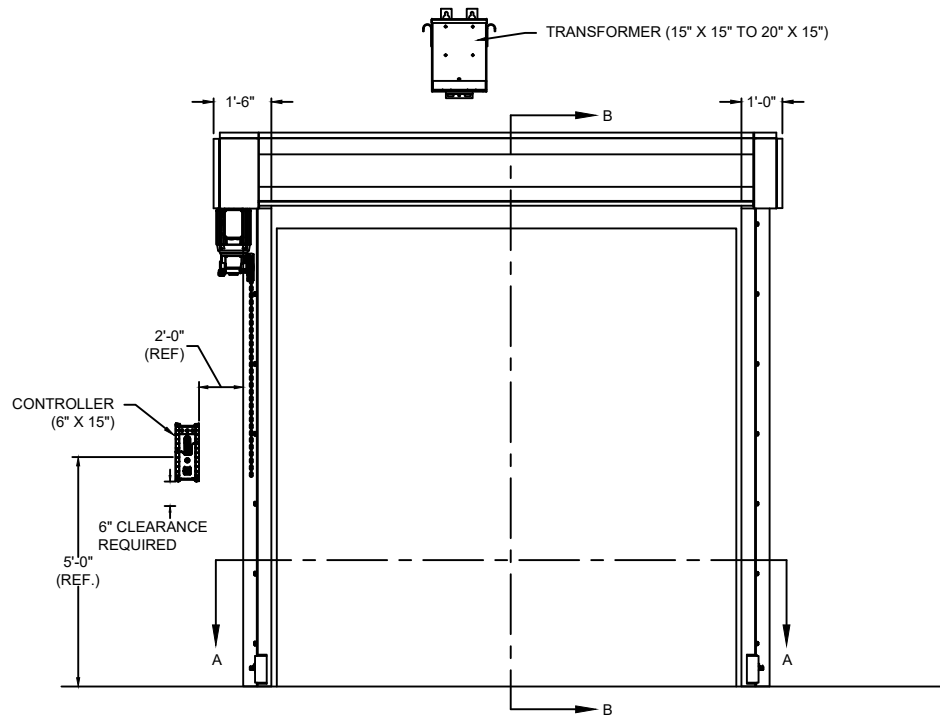
BRICK GRILLE DETAIL



STRAIGHT LATTICE GRILLE DETAIL

**OPTIONS**

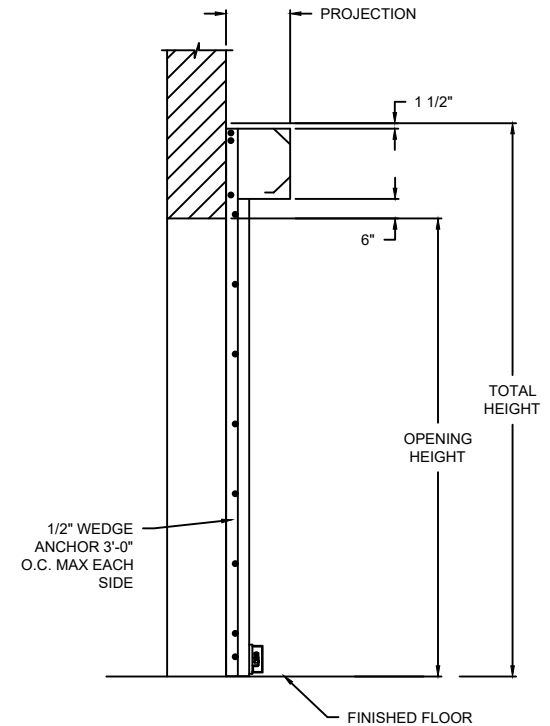
OPENING WIDTH	
OPENING HEIGHT	
GUIDE OPTIONS	<input type="checkbox"/> ANGLE E <input type="checkbox"/> ANGLE Z
GUIDE OPTIONS	<input type="checkbox"/> LATTICE <input type="checkbox"/> BRICK
SAFETY EDGE OPTIONS	<input type="checkbox"/> ON RIGHT <input type="checkbox"/> ON LEFT
HOOD OPTIONS	<input type="checkbox"/> INTERIOR OCTAGON <input type="checkbox"/> INTERIOR ROUND <input type="checkbox"/> INTERIOR SQUARE <input type="checkbox"/> EXTERIOR SLOPED



ELEVATION



SECTION A-A



SECTION B-B

PROJECTION	
MIN.	MAX.
12" X 14"	26" X 28"

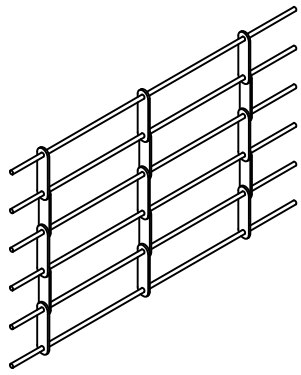
COMPONENT	MATERIAL	OPERATION	NOTES:
HOOD	24 GA. GALVANIZED STEEL	MOTOR LH 208V 1-PHASE 60HZ VIA TRANSFORMER (190-207 V RANGE)	1. DIRECT DRIVE MOTOR ONLY
CURTAIN	GALVANIZED STEEL		
GUIDES	ALUMINUM		
BOTTOM BAR	ALUMINUM		

**EVERSERVE™**

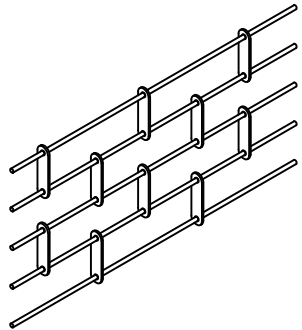
671S SPRINGLESS SECURITY GRILLES

DWG. NO.	DATE:	<b>The Genuine. The Original.</b> <b>OVERHEAD DOOR</b>
SHEET	BY:	

MODEL	STANDARD MAX. VALUES	
	WIDTH	HEIGHT
671S	30'	14' 4"



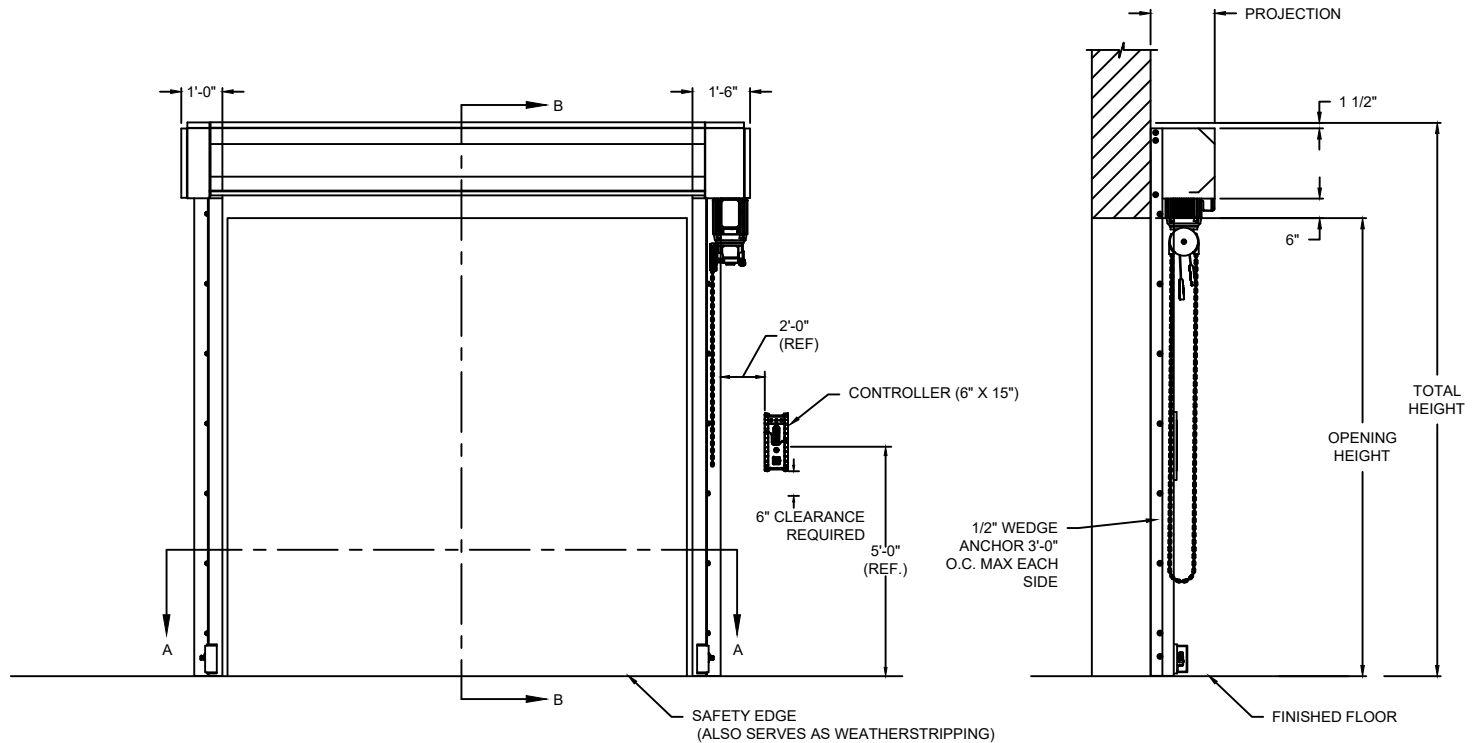
BRICK GRILLE DETAIL



STRAIGHT LATTICE GRILLE DETAIL

**OPTIONS**

OPENING WIDTH	
OPENING HEIGHT	
GUIDE OPTIONS	<input type="checkbox"/> ANGLE E <input type="checkbox"/> ANGLE Z
GUIDE OPTIONS	<input type="checkbox"/> LATTICE <input type="checkbox"/> BRICK
SAFETY EDGE OPTIONS	<input type="checkbox"/> ON RIGHT <input type="checkbox"/> ON LEFT
HOOD OPTIONS	<input type="checkbox"/> INTERIOR OCTAGON
	<input type="checkbox"/> INTERIOR ROUND
	<input type="checkbox"/> INTERIOR SQUARE
	<input type="checkbox"/> EXTERIOR SLOPED



ELEVATION

SECTION B-B



SECTION A-A

PROJECTION	
MIN.	MAX.
12" X 14"	26" X 28"

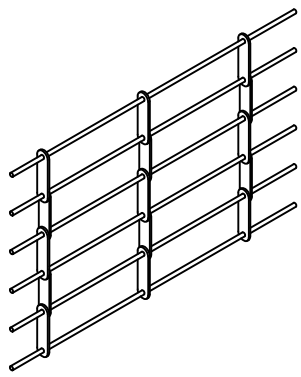
COMPONENT	MATERIAL	OPERATION	NOTES:
HOOD	24 GA. GALVANIZED STEEL	MOTOR RH 230V 1-PHASE 60HZ VIA (208-245 V RANGE)	1. DIRECT DRIVE MOTOR ONLY
CURTAIN	GALVANIZED STEEL		
GUIDES	ALUMINUM		
BOTTOM BAR	ALUMINUM		

**EVERSERVE™**

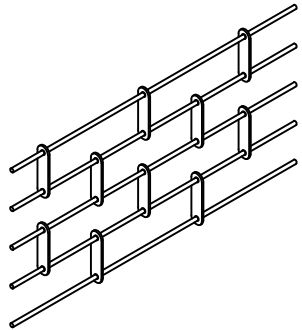
671S SPRINGLESS SECURITY GRILLES

DWG. NO.	DATE:	<b>The Genuine. The Original.</b> 
SHEET	BY:	

MODEL	STANDARD MAX. VALUES	
	WIDTH	HEIGHT
671S	30'	14' 4"



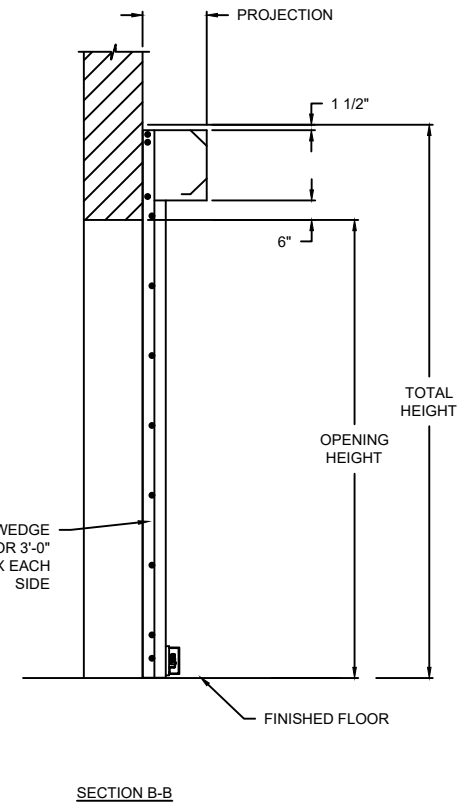
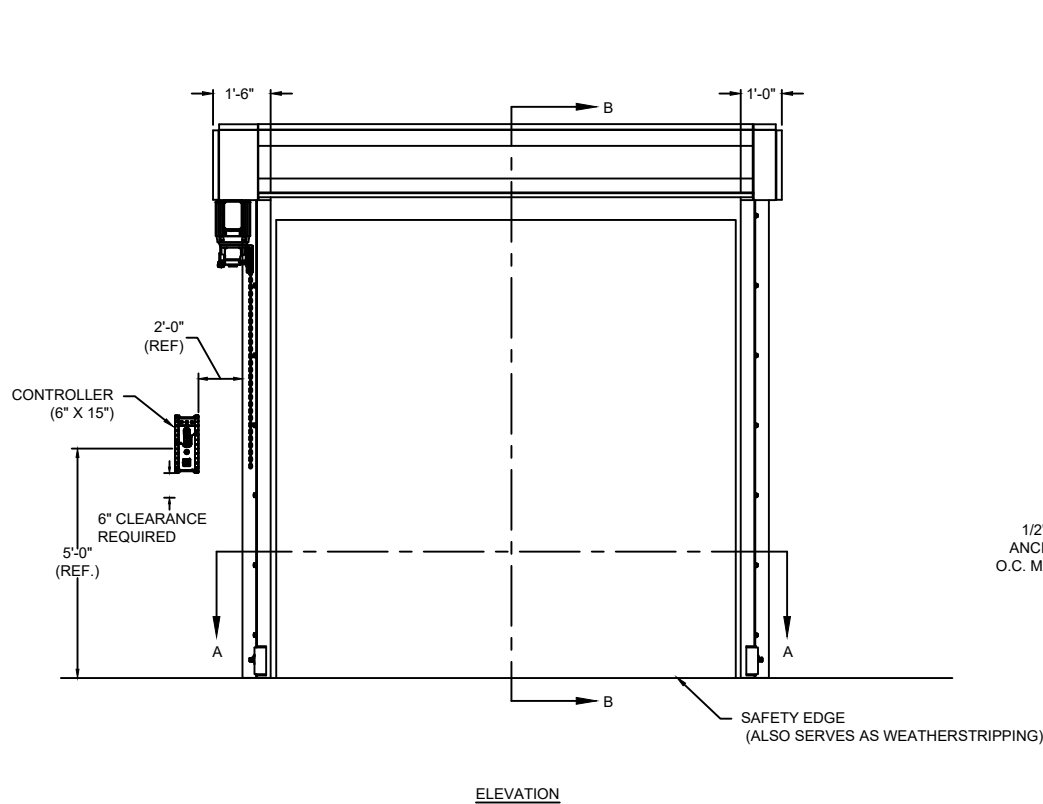
BRICK GRILLE DETAIL



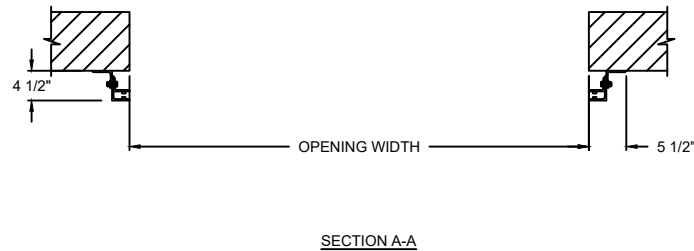
STRAIGHT LATTICE GRILLE DETAIL

**OPTIONS**

OPENING WIDTH	
OPENING HEIGHT	
GUIDE OPTIONS	<input type="checkbox"/> ANGLE E <input type="checkbox"/> ANGLE Z
GUIDE OPTIONS	<input type="checkbox"/> LATTICE <input type="checkbox"/> BRICK
SAFETY EDGE OPTIONS	<input type="checkbox"/> ON RIGHT <input type="checkbox"/> ON LEFT
HOOD OPTIONS	<input type="checkbox"/> INTERIOR OCTAGON
	<input type="checkbox"/> INTERIOR ROUND
	<input type="checkbox"/> INTERIOR SQUARE
	<input type="checkbox"/> EXTERIOR SLOPED



PROJECTION	
MIN.	MAX.
12" X 14"	26" X 28"



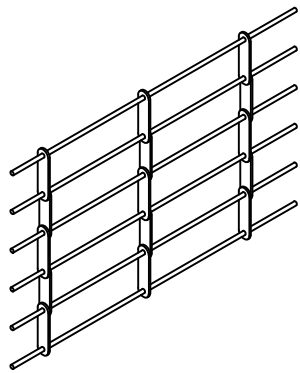
COMPONENT	MATERIAL	OPERATION	NOTES:
HOOD	24 GA. GALVANIZED STEEL	MOTOR LH 230V 1-PHASE 60HZ VIA (208-245 V RANGE)	1. DIRECT DRIVE MOTOR ONLY
CURTAIN	GALVANIZED STEEL		
GUIDES	ALUMINUM		
BOTTOM BAR	ALUMINUM		

**EVERSERVE™**

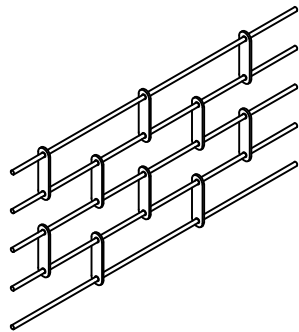
671S SPRINGLESS SECURITY GRILLES

DWG. NO.	DATE:	<b>The Genuine. The Original.</b> 
SHEET	BY:	

MODEL	STANDARD MAX. VALUES	
	WIDTH	HEIGHT
671S	30'	14' 4"



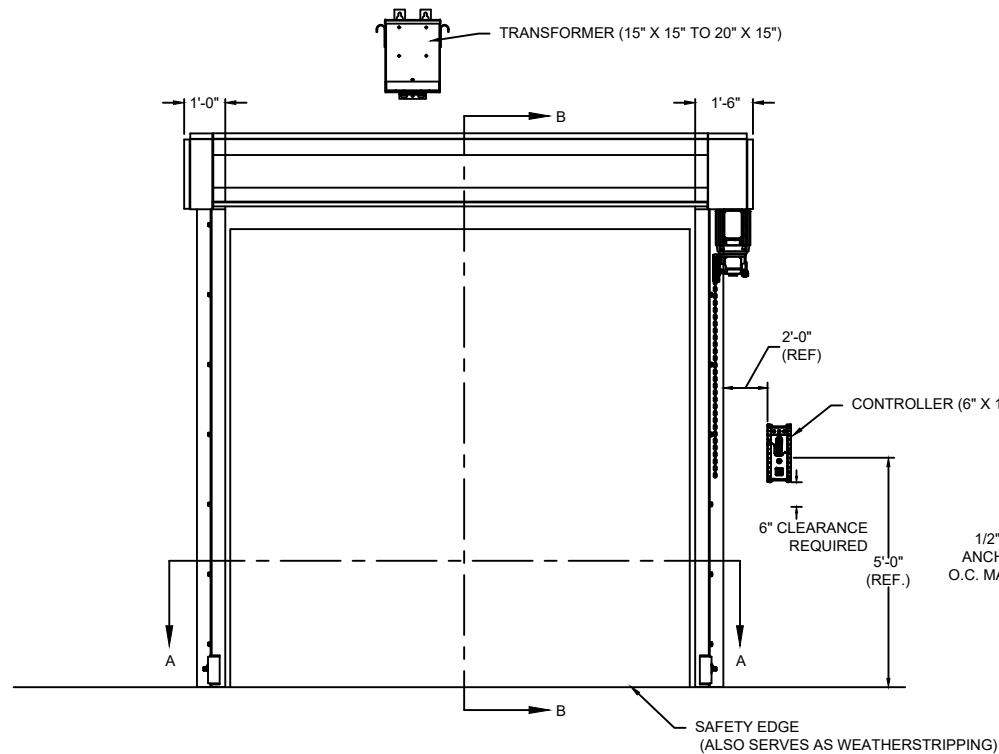
BRICK GRILLE DETAIL



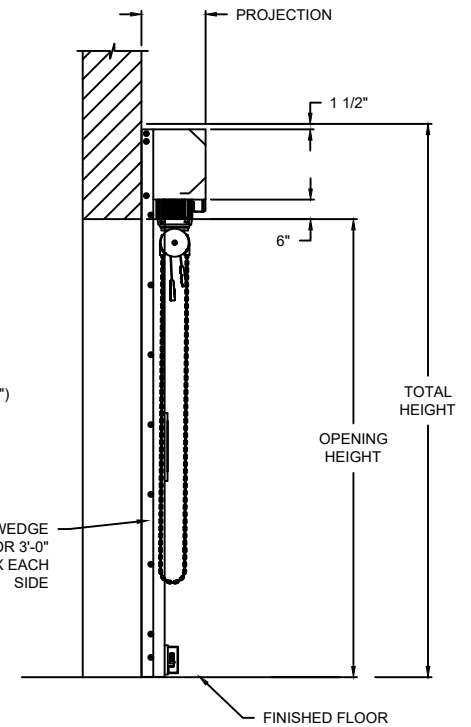
STRAIGHT LATTICE GRILLE DETAIL

**OPTIONS**

OPENING WIDTH	
OPENING HEIGHT	
GUIDE OPTIONS	<input type="checkbox"/> ANGLE E <input type="checkbox"/> ANGLE Z
GUIDE OPTIONS	<input type="checkbox"/> LATTICE <input type="checkbox"/> BRICK
SAFETY EDGE OPTIONS	<input type="checkbox"/> ON RIGHT <input type="checkbox"/> ON LEFT
HOOD OPTIONS	<input type="checkbox"/> INTERIOR OCTAGON <input type="checkbox"/> INTERIOR ROUND <input type="checkbox"/> INTERIOR SQUARE <input type="checkbox"/> EXTERIOR SLOPED



ELEVATION



SECTION B-B

PROJECTION	
MIN.	MAX.
12" X 14"	26" X 28"



SECTION A-A

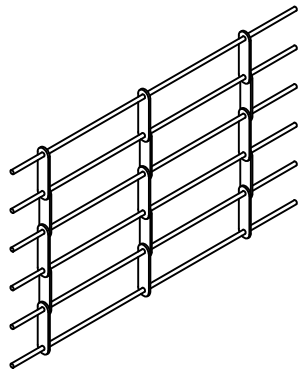
**EVERSERVE™**

671S SPRINGLESS SECURITY GRILLES

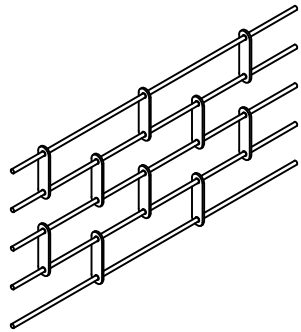
DWG. NO.	DATE:	
SHEET	BY:	

COMPONENT	MATERIAL	OPERATION	NOTES:
HOOD	24 GA. GALVANIZED STEEL	MOTOR RH 208V 3-PHASE 60HZ VIA TRANSFORMER (190-207 V RANGE)	1. DIRECT DRIVE MOTOR ONLY
CURTAIN	GALVANIZED STEEL		
GUIDES	ALUMINUM		
BOTTOM BAR	ALUMINUM		

MODEL	STANDARD MAX. VALUES	
	WIDTH	HEIGHT
671S	30'	14' 4"



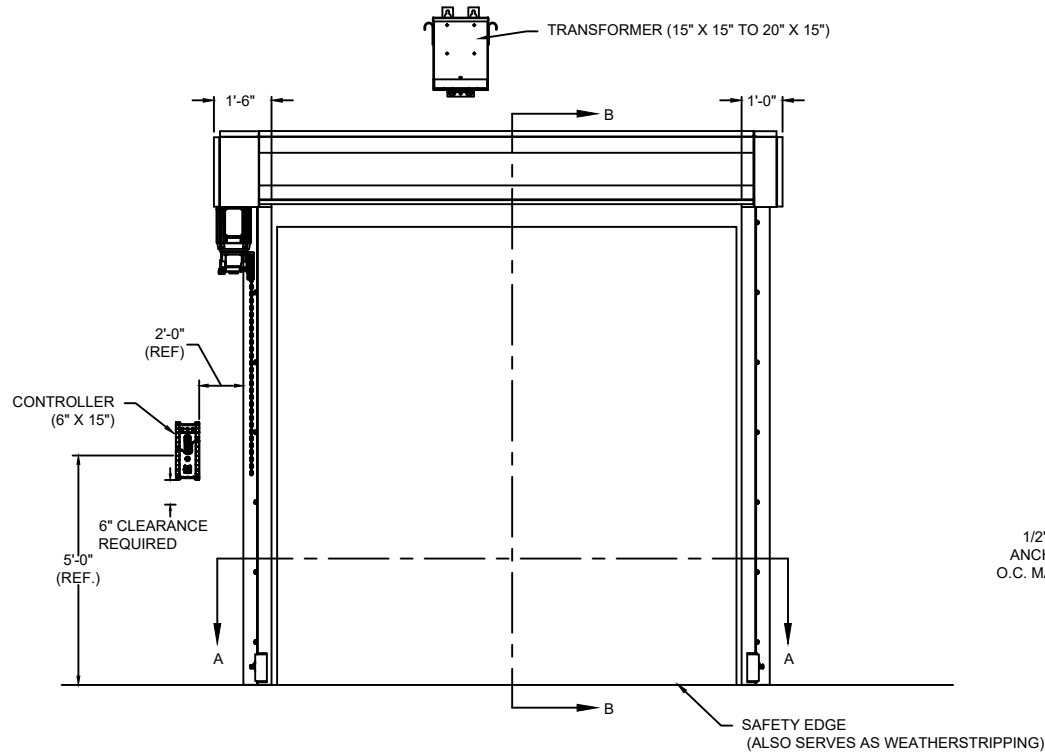
BRICK GRILLE DETAIL



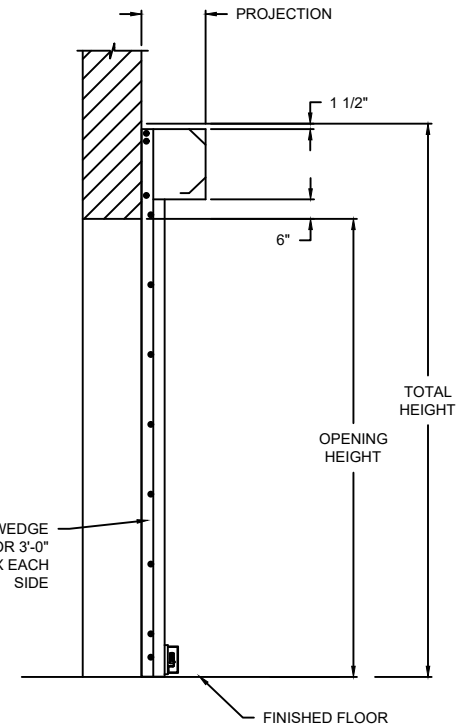
STRAIGHT LATTICE GRILLE DETAIL

**OPTIONS**

OPENING WIDTH	
OPENING HEIGHT	
GUIDE OPTIONS	<input type="checkbox"/> ANGLE E <input type="checkbox"/> ANGLE Z
GUIDE OPTIONS	<input type="checkbox"/> LATTICE <input type="checkbox"/> BRICK
SAFETY EDGE OPTIONS	<input type="checkbox"/> ON RIGHT <input type="checkbox"/> ON LEFT
HOOD OPTIONS	<input type="checkbox"/> INTERIOR OCTAGON <input type="checkbox"/> INTERIOR ROUND <input type="checkbox"/> INTERIOR SQUARE <input type="checkbox"/> EXTERIOR SLOPED



ELEVATION



SECTION B-B

PROJECTION	
MIN.	MAX.
12" X 14"	26" X 28"



SECTION A-A

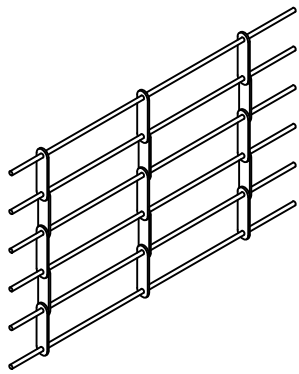
**EVERSERVE™**

671S SPRINGLESS SECURITY GRILLES

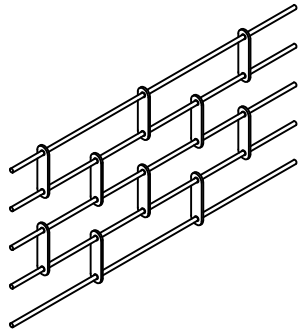
DWG. NO.	DATE:	<b>The Genuine. The Original.</b> <b>OVERHEAD DOOR</b>
SHEET	BY:	

COMPONENT	MATERIAL	OPERATION	NOTES:
HOOD	24 GA. GALVANIZED STEEL	MOTOR LH 208V 3-PHASE 60HZ VIA TRANSFORMER (190-207 V RANGE)	1. DIRECT DRIVE MOTOR ONLY
CURTAIN	GALVANIZED STEEL		
GUIDES	ALUMINUM		
BOTTOM BAR	ALUMINUM		

MODEL	STANDARD MAX. VALUES	
	WIDTH	HEIGHT
671S	30'	14' 4"



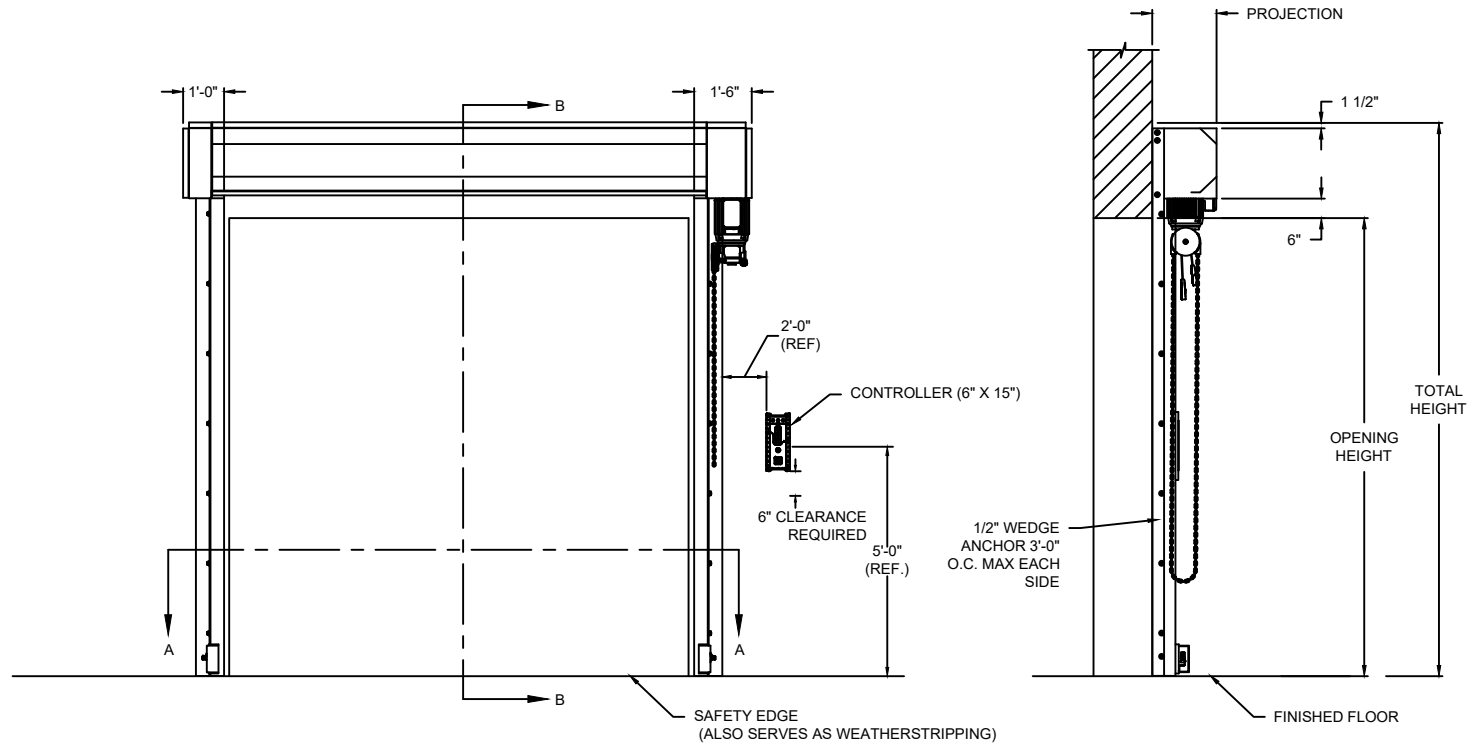
BRICK GRILLE DETAIL



STRAIGHT LATTICE GRILLE DETAIL

**OPTIONS**

OPENING WIDTH	
OPENING HEIGHT	
GUIDE OPTIONS	<input type="checkbox"/> ANGLE E <input type="checkbox"/> ANGLE Z
GUIDE OPTIONS	<input type="checkbox"/> LATTICE <input type="checkbox"/> BRICK
SAFETY EDGE OPTIONS	<input type="checkbox"/> ON RIGHT <input type="checkbox"/> ON LEFT
HOOD OPTIONS	<input type="checkbox"/> INTERIOR OCTAGON <input type="checkbox"/> INTERIOR ROUND <input type="checkbox"/> INTERIOR SQUARE <input type="checkbox"/> EXTERIOR SLOPED



ELEVATION

SECTION B-B



SECTION A-A

PROJECTION	
MIN.	MAX.
12" X 14"	26" X 28"

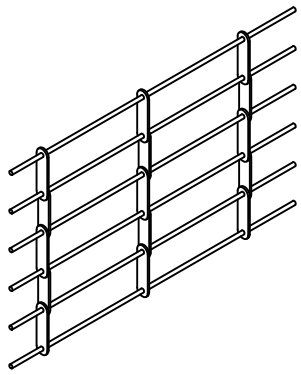
COMPONENT	MATERIAL	OPERATION	NOTES:
HOOD	24 GA. GALVANIZED STEEL	MOTOR RH 230V 3-PHASE 60HZ VIA TRANSFORMER (208-245 V RANGE)	1. DIRECT DRIVE MOTOR ONLY
CURTAIN	GALVANIZED STEEL		
GUIDES	ALUMINUM		
BOTTOM BAR	ALUMINUM		

**EVERSERVE™**

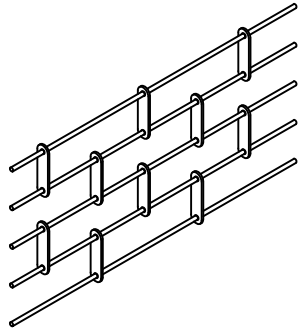
671S SPRINGLESS SECURITY GRILLES

DWG. NO.	DATE:	<b>The Genuine. The Original.</b> <b>OVERHEAD DOOR</b>
SHEET	BY:	

MODEL	STANDARD MAX. VALUES	
	WIDTH	HEIGHT
671S	30'	14' 4"



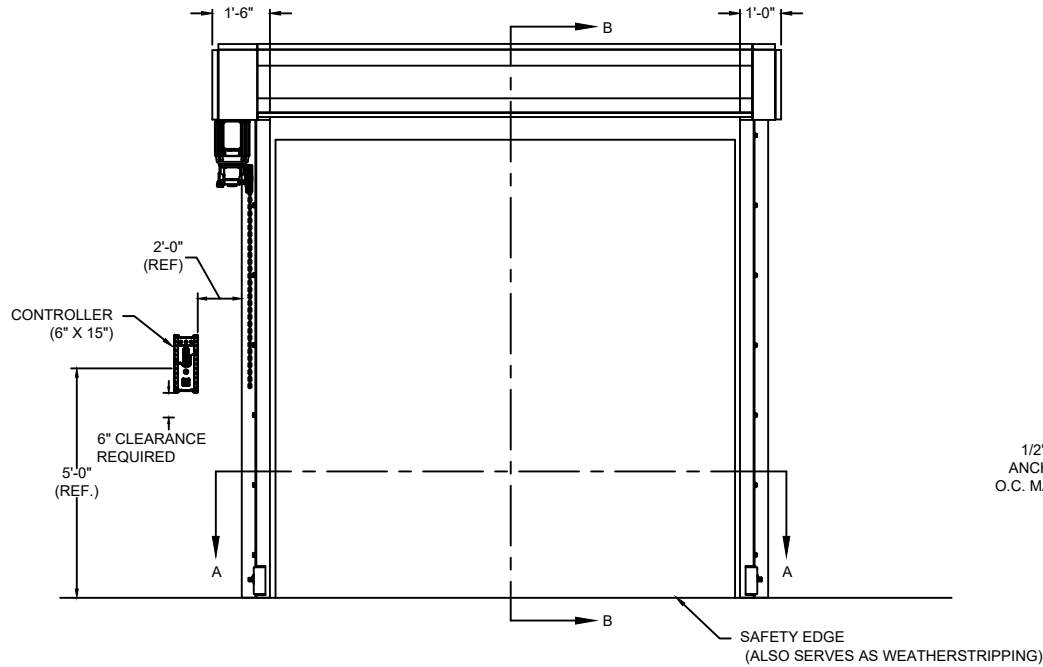
BRICK GRILLE DETAIL



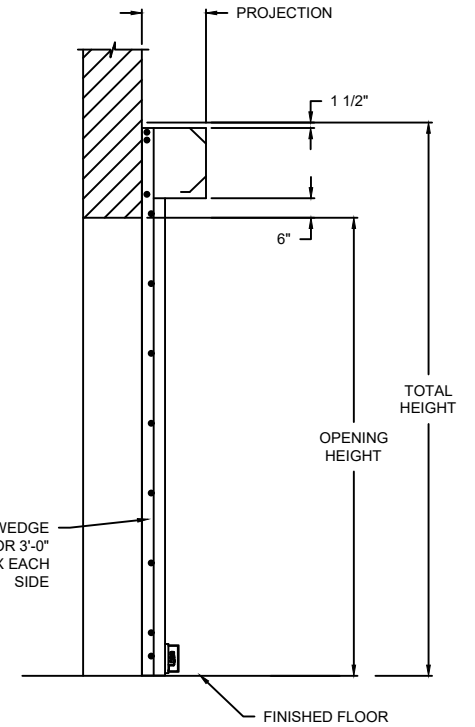
STRAIGHT LATTICE GRILLE DETAIL

**OPTIONS**

OPENING WIDTH	
OPENING HEIGHT	
GUIDE OPTIONS	<input type="checkbox"/> ANGLE E <input type="checkbox"/> ANGLE Z
GUIDE OPTIONS	<input type="checkbox"/> LATTICE <input type="checkbox"/> BRICK
SAFETY EDGE OPTIONS	<input type="checkbox"/> ON RIGHT <input type="checkbox"/> ON LEFT
HOOD OPTIONS	<input type="checkbox"/> INTERIOR OCTAGON <input type="checkbox"/> INTERIOR ROUND <input type="checkbox"/> INTERIOR SQUARE <input type="checkbox"/> EXTERIOR SLOPED



ELEVATION



SECTION B-B

PROJECTION	
MIN.	MAX.
12" X 14"	26" X 28"



SECTION A-A

COMPONENT	MATERIAL	OPERATION	NOTES:
HOOD	24 GA. GALVANIZED STEEL	MOTOR LH 230V 3-PHASE 60HZ VIA TRANSFORMER (208-245 V RANGE)	1. DIRECT DRIVE MOTOR ONLY
CURTAIN	GALVANIZED STEEL		
GUIDES	ALUMINUM		
BOTTOM BAR	ALUMINUM		

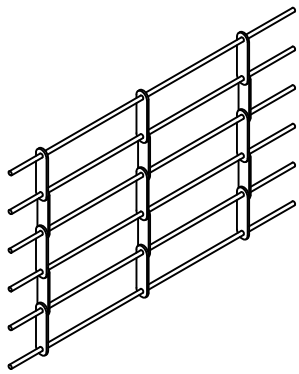
**EVERSERVE™**

671S SPRINGLESS SECURITY GRILLES

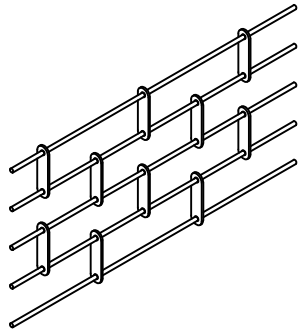
DWG. NO.	DATE:	
SHEET	BY:	



MODEL	STANDARD MAX. VALUES	
	WIDTH	HEIGHT
671S	30'	14' 4"



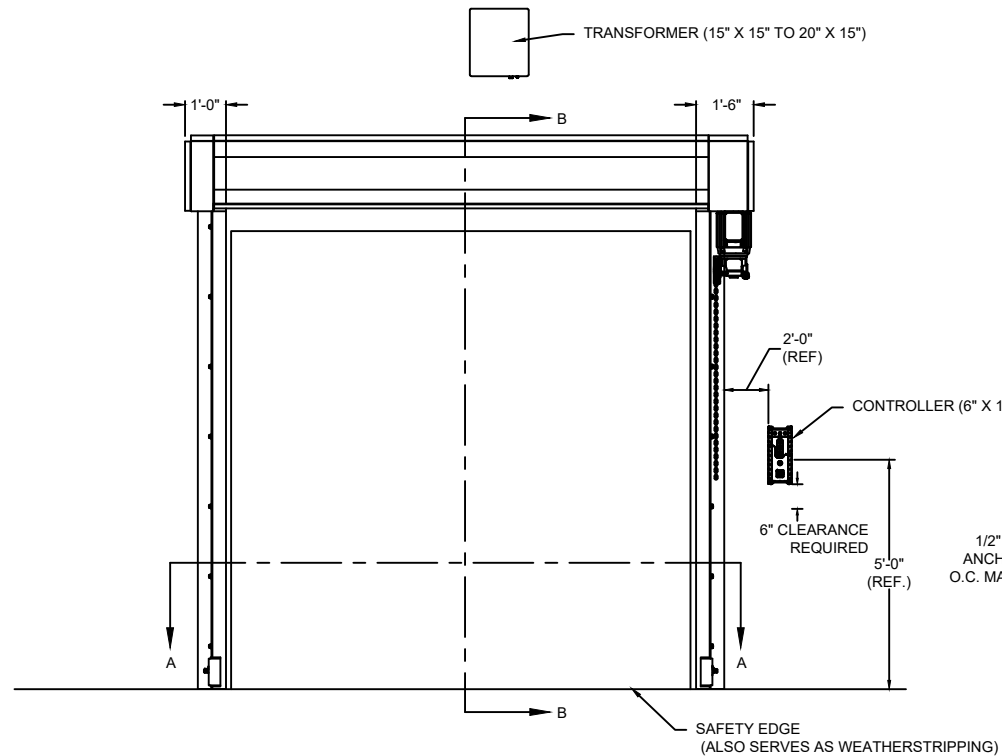
BRICK GRILLE DETAIL



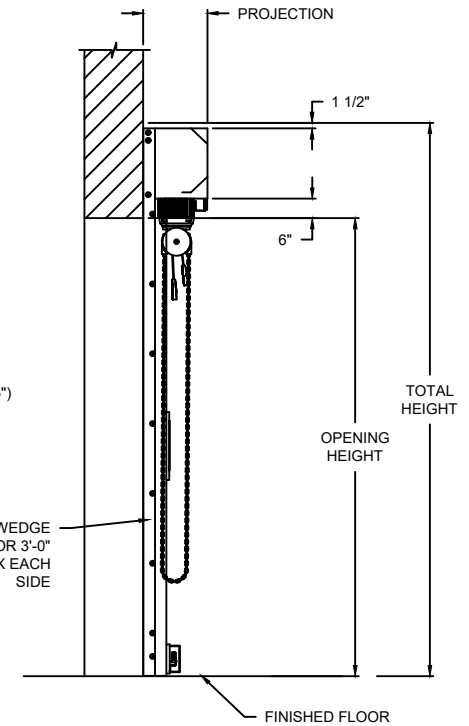
STRAIGHT LATTICE GRILLE DETAIL

**OPTIONS**

OPENING WIDTH	
OPENING HEIGHT	
GUIDE OPTIONS	<input type="checkbox"/> ANGLE E <input type="checkbox"/> ANGLE Z
GUIDE OPTIONS	<input type="checkbox"/> LATTICE <input type="checkbox"/> BRICK
SAFETY EDGE OPTIONS	<input type="checkbox"/> ON RIGHT <input type="checkbox"/> ON LEFT
HOOD OPTIONS	<input type="checkbox"/> INTERIOR OCTAGON <input type="checkbox"/> INTERIOR ROUND <input type="checkbox"/> INTERIOR SQUARE <input type="checkbox"/> EXTERIOR SLOPED



ELEVATION



SECTION B-B



SECTION A-A

PROJECTION	
MIN.	MAX.
12" X 14"	26" X 28"

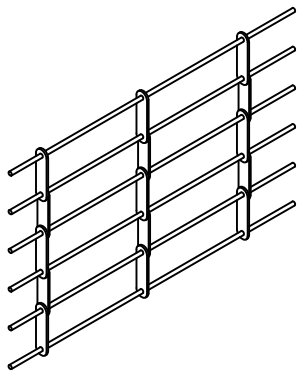
COMPONENT	MATERIAL	OPERATION	NOTES:
HOOD	24 GA. GALVANIZED STEEL	MOTOR RH 460V 3-PHASE 60HZ VIA TRANSFORMER (456-495V RANGE)	1. DIRECT DRIVE MOTOR ONLY
CURTAIN	GALVANIZED STEEL		
GUIDES	ALUMINUM		
BOTTOM BAR	ALUMINUM		

**EVERSERVE™**

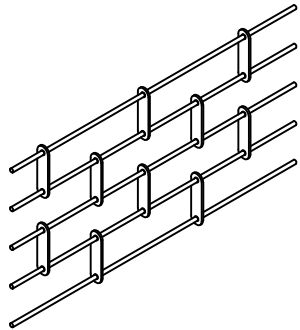
671S SPRINGLESS SECURITY GRILLES

DWG. NO.	DATE:	
SHEET	BY:	

MODEL	STANDARD MAX. VALUES	
	WIDTH	HEIGHT
671S	30'	14' 4"



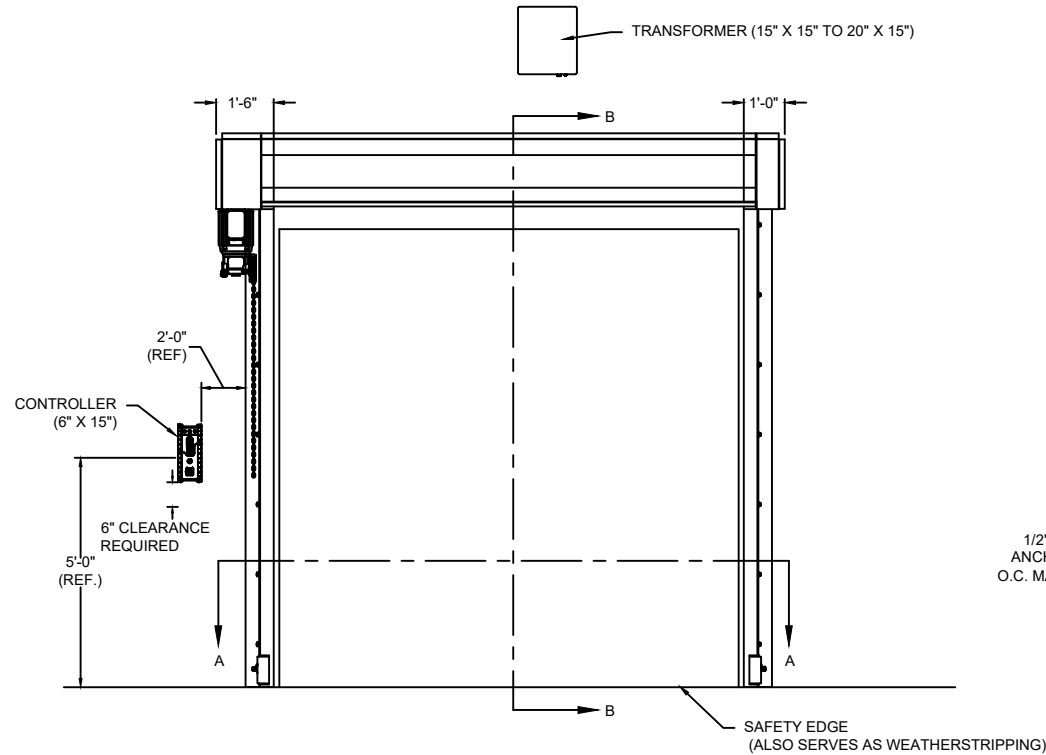
BRICK GRILLE DETAIL



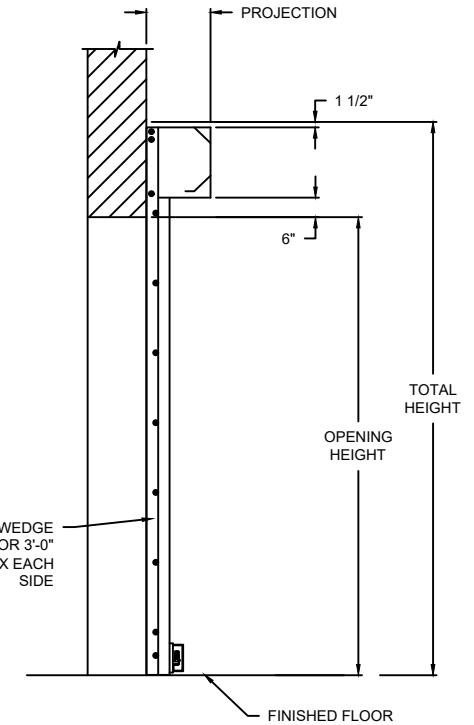
STRAIGHT LATTICE GRILLE DETAIL

**OPTIONS**

OPENING WIDTH	
OPENING HEIGHT	
GUIDE OPTIONS	<input type="checkbox"/> ANGLE E <input type="checkbox"/> ANGLE Z
GUIDE OPTIONS	<input type="checkbox"/> LATTICE <input type="checkbox"/> BRICK
SAFETY EDGE OPTIONS	<input type="checkbox"/> ON RIGHT <input type="checkbox"/> ON LEFT
HOOD OPTIONS	<input type="checkbox"/> INTERIOR OCTAGON <input type="checkbox"/> INTERIOR ROUND <input type="checkbox"/> INTERIOR SQUARE <input type="checkbox"/> EXTERIOR SLOPED



ELEVATION



SECTION B-B

PROJECTION	
MIN.	MAX.
12" X 14"	26" X 28"



SECTION A-A

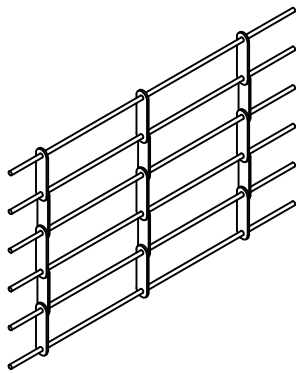
COMPONENT	MATERIAL	OPERATION	NOTES:
HOOD	24 GA. GALVANIZED STEEL	MOTOR LH 460V 3-PHASE 60HZ VIA TRANSFORMER (456-495V RANGE)	1. DIRECT DRIVE MOTOR ONLY
CURTAIN	GALVANIZED STEEL		
GUIDES	ALUMINUM		
BOTTOM BAR	ALUMINUM		

**EVERSERVE™**

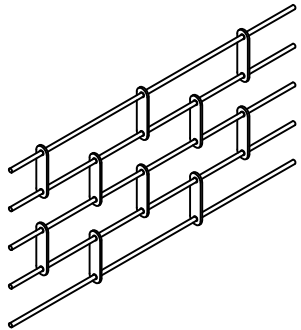
671S SPRINGLESS SECURITY GRILLES

DWG. NO.	DATE:	<b>The Genuine. The Original.</b> 
SHEET	BY:	

MODEL	STANDARD MAX. VALUES	
	WIDTH	HEIGHT
671S	30'	14' 4"



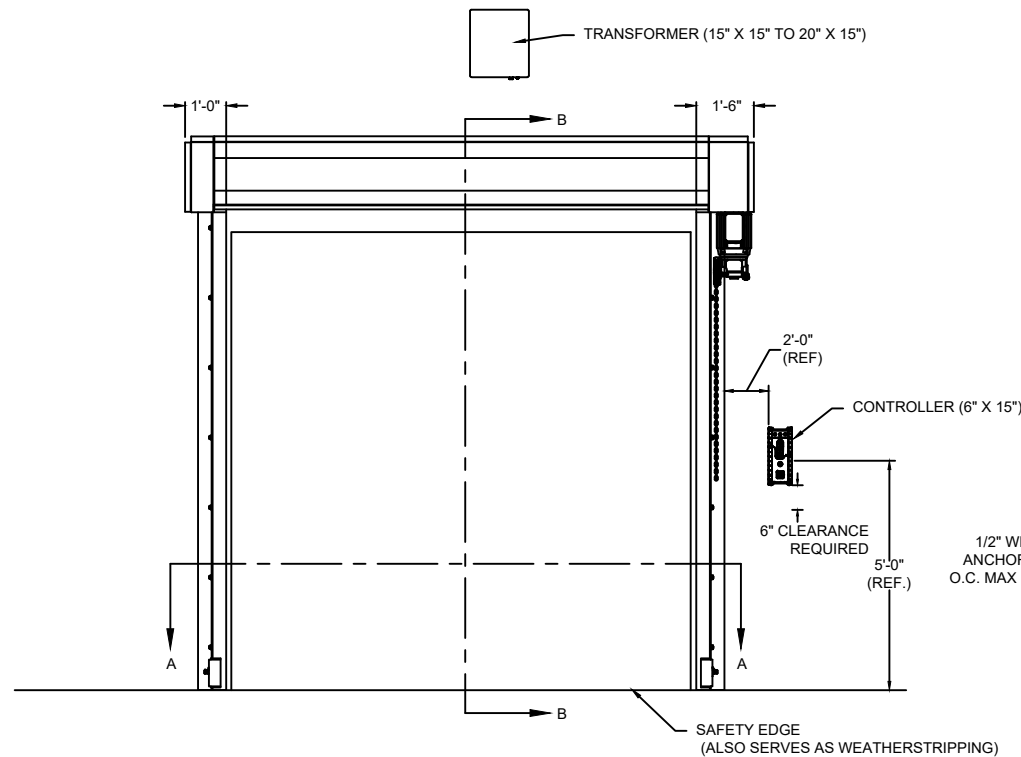
BRICK GRILLE DETAIL



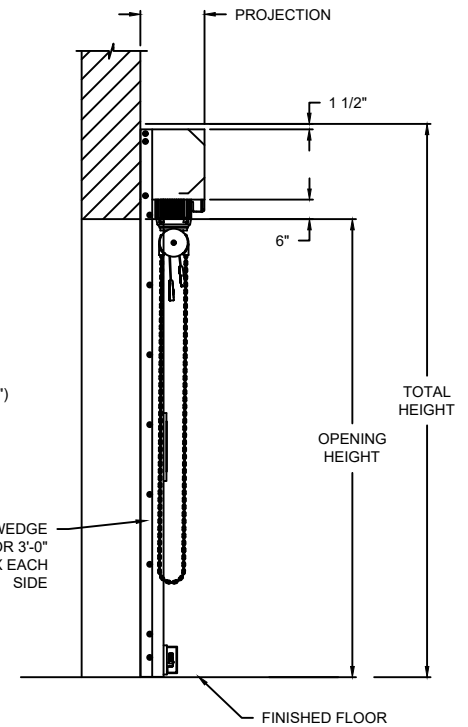
STRAIGHT LATTICE GRILLE DETAIL

**OPTIONS**

OPENING WIDTH	
OPENING HEIGHT	
GUIDE OPTIONS	<input type="checkbox"/> ANGLE E <input type="checkbox"/> ANGLE Z
GUIDE OPTIONS	<input type="checkbox"/> LATTICE <input type="checkbox"/> BRICK
SAFETY EDGE OPTIONS	<input type="checkbox"/> ON RIGHT <input type="checkbox"/> ON LEFT
HOOD OPTIONS	<input type="checkbox"/> INTERIOR OCTAGON <input type="checkbox"/> INTERIOR ROUND <input type="checkbox"/> INTERIOR SQUARE <input type="checkbox"/> EXTERIOR SLOPED



ELEVATION



SECTION B-B



SECTION A-A

PROJECTION	
MIN.	MAX.
12" X 14"	26" X 28"

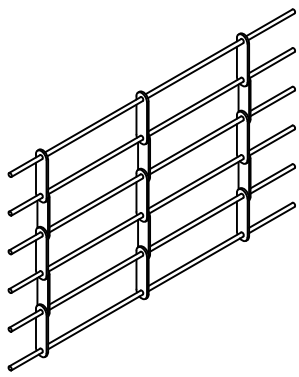
COMPONENT	MATERIAL	OPERATION	NOTES:
HOOD	24 GA. GALVANIZED STEEL	MOTOR RH 575 V 3-PHASE 60HZ	1. DIRECT DRIVE MOTOR ONLY
CURTAIN	GALVANIZED STEEL		
GUIDES	ALUMINUM		
BOTTOM BAR	ALUMINUM		

**EVERSERVE™**

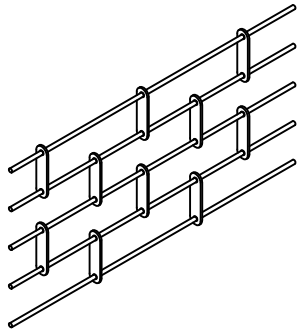
671S SPRINGLESS SECURITY GRILLES

DWG. NO.	DATE:	<b>The Genuine. The Original.</b> 
SHEET	BY:	

MODEL	STANDARD MAX. VALUES	
	WIDTH	HEIGHT
671S	30'	14' 4"



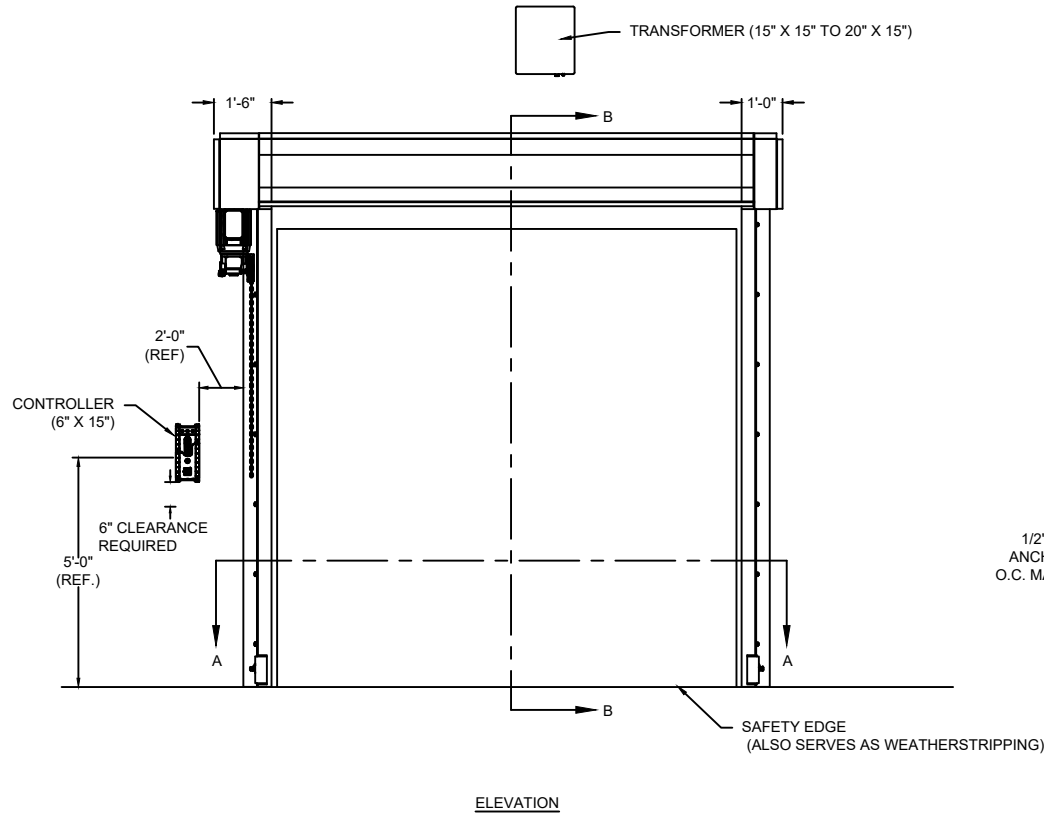
BRICK GRILLE DETAIL



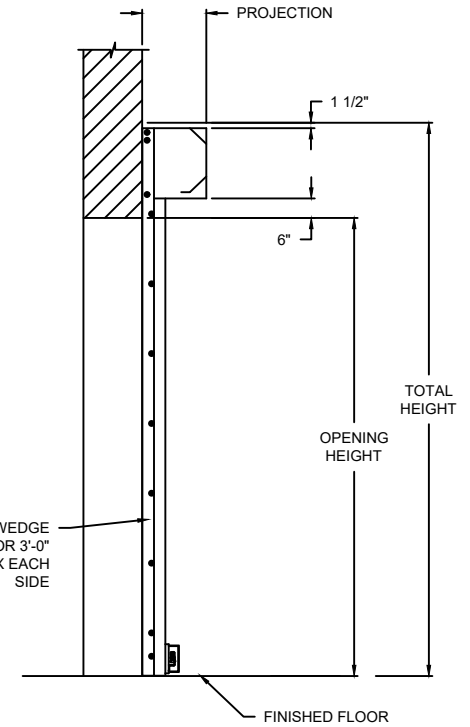
STRAIGHT LATTICE GRILLE DETAIL

**OPTIONS**

OPENING WIDTH	
OPENING HEIGHT	
GUIDE OPTIONS	<input type="checkbox"/> ANGLE E <input type="checkbox"/> ANGLE Z
GUIDE OPTIONS	<input type="checkbox"/> LATTICE <input type="checkbox"/> BRICK
SAFETY EDGE OPTIONS	<input type="checkbox"/> ON RIGHT <input type="checkbox"/> ON LEFT
HOOD OPTIONS	<input type="checkbox"/> INTERIOR OCTAGON <input type="checkbox"/> INTERIOR ROUND <input type="checkbox"/> INTERIOR SQUARE <input type="checkbox"/> EXTERIOR SLOPED



ELEVATION



SECTION B-B

PROJECTION	
MIN.	MAX.
12" X 14"	26" X 28"



SECTION A-A

COMPONENT	MATERIAL	OPERATION	NOTES:
HOOD	24 GA. GALVANIZED STEEL	MOTOR LH 575 V 3-PHASE 60HZ	1. DIRECT DRIVE MOTOR ONLY
CURTAIN	GALVANIZED STEEL		
GUIDES	ALUMINUM		
BOTTOM BAR	ALUMINUM		

**EVERSERVE™**

671S SPRINGLESS SECURITY GRILLES

DWG. NO.	DATE:	
SHEET	BY:	