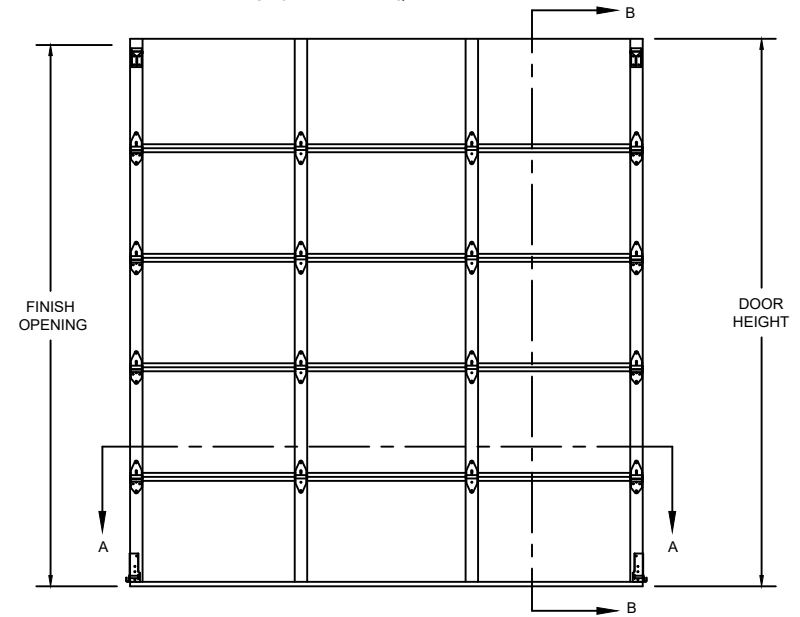
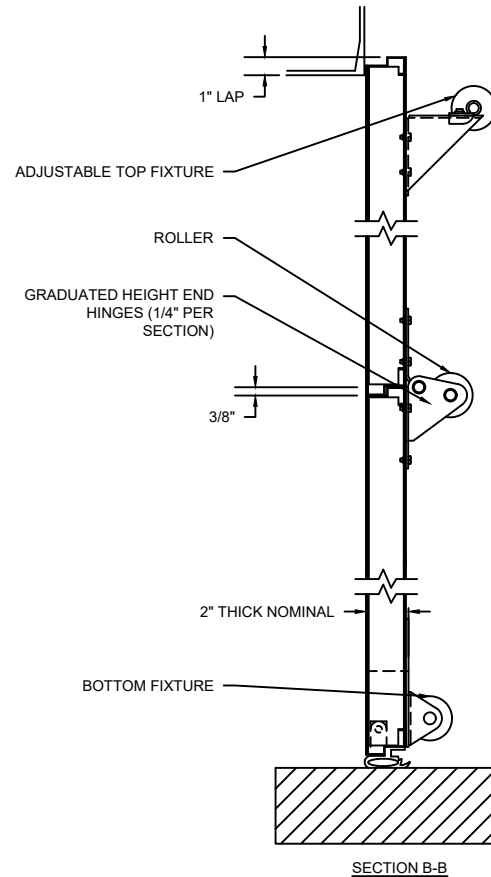
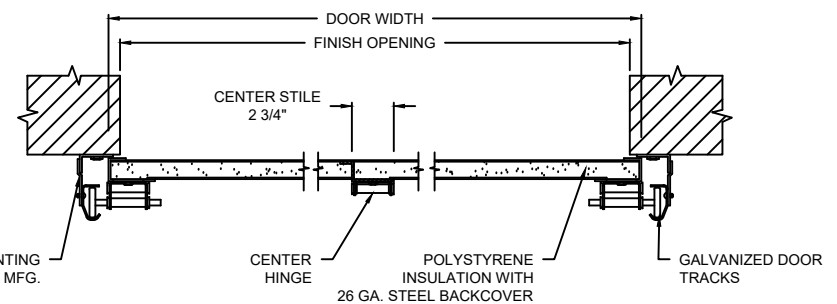


MODEL	STANDARD MAX. VALUES	
	WIDTH	HEIGHT
418	30' 2"	21' 1"

NOTE: 5 SECTION, 3 PANEL DOOR SHOWN.
SECTION AND PANEL QTY WILL VARY.



ELEVATION



SECTION A-A

SECTIONAL STEEL

418 SECTIONAL STEEL DOORS (INSULATED)

OPTIONS

OPENING WIDTH	
OPENING HEIGHT	
DOOR TRACK SIZE	<input type="checkbox"/> 2" <input type="checkbox"/> 3"
END STILES	<input type="checkbox"/> SINGLE <input type="checkbox"/> DOUBLE
WINDOW OPTIONS	<input type="checkbox"/> NO WINDOW <input type="checkbox"/> 24" X 7" VISION LITE <input type="checkbox"/> FULL-VIEW LITES
SEAL OPTIONS	<input type="checkbox"/> JAMB SEAL <input type="checkbox"/> STANDARD BOTTOM SEAL <input type="checkbox"/> TOP SEAL <input type="checkbox"/> ELECTRIC SAFETY EDGE <input type="checkbox"/> PNEUMATIC SAFETY EDGE
LOCK OPTIONS	<input type="checkbox"/> SLIDE LOCK <input type="checkbox"/> UNILOCK

COMPONENT	MATERIAL
SECTIONS	16 GA. ROLL-FORMED GALVANIZED
CENTER/END STILES	16 GA. STEEL
HARDWARE	GALVANIZED STEEL
WEATHERSTRIP	FLEXIBLE PVC

OPERATION
MANUAL PUSH UP

NOTES:
- WARRANTY: 1-YEAR LIMITED
- INSULATION WILL BE COMPOSED OF POLYSTYRENE PROVIDING INSULATION FACTORS OF 7.35 R-VALUE. OVERHEAD DOOR™ BRAND USES A CALCULATED DOOR SECTION R-VALUE FOR OUR INSULATED DOORS.

DWG. NO.	DATE:	The Genuine. The Original. OVERHEAD DOOR
SHEET	BY:	