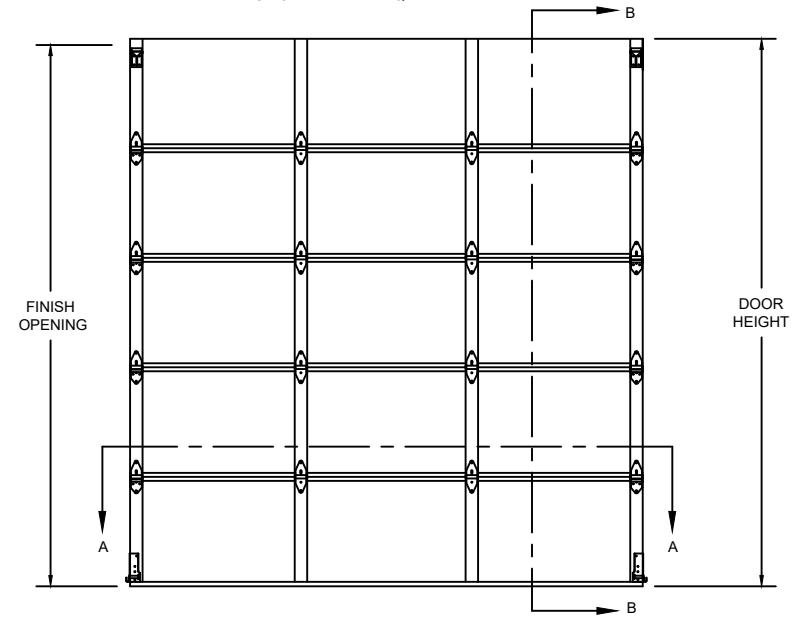
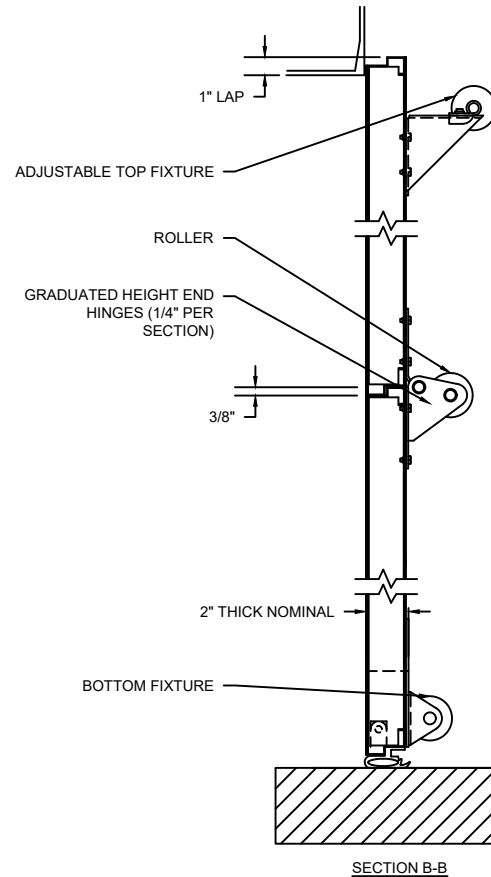
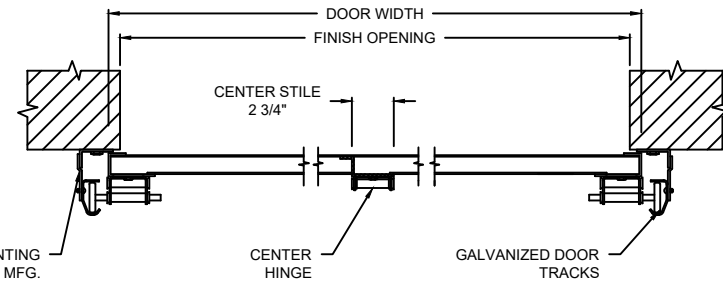


MODEL	STANDARD MAX. VALUES	
	WIDTH	HEIGHT
416	32' 2"	21' 1"

NOTE: 5 SECTION, 3 PANEL DOOR SHOWN.  
SECTION AND PANEL QTY WILL VARY.



ELEVATION



SECTION A-A

# SECTIONAL STEEL

416 SECTIONAL STEEL DOORS (NON-INSULATED)

OPTIONS	
OPENING WIDTH	
OPENING HEIGHT	
DOOR TRACK SIZE	<input type="checkbox"/> 2" <input type="checkbox"/> 3"
END STILES	<input type="checkbox"/> SINGLE <input type="checkbox"/> DOUBLE
WINDOW OPTIONS	<input type="checkbox"/> NO WINDOW <input type="checkbox"/> FULL-VIEW LITES
SEAL OPTIONS	<input type="checkbox"/> JAMB SEAL <input type="checkbox"/> STANDARD BOTTOM SEAL <input type="checkbox"/> TOP SEAL <input type="checkbox"/> ELECTRIC SAFETY EDGE <input type="checkbox"/> PNEUMATIC SAFETY EDGE
LOCK OPTIONS	<input type="checkbox"/> SLIDE LOCK <input type="checkbox"/> UNILOCK

COMPONENT	MATERIAL	OPERATION	NOTES:
SECTIONS	16 GA. ROLL-FORMED GALVANIZED	MANUAL PUSH UP	- WARRANTY: 1-YEAR LIMITED
CENTER/END STILES	16 GA. STEEL		
HARDWARE	GALVANIZED STEEL		
WEATHERSTRIP	FLEXIBLE PVC		

DWG. NO.	DATE:	The Genuine. The Original. OVERHEAD DOOR
SHEET	BY:	