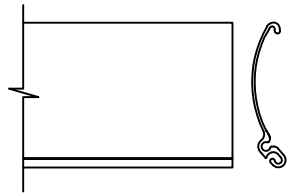
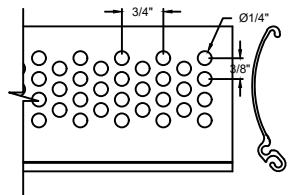


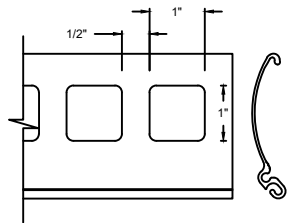
MODEL	STANDARD MAX. VALUES	
	WIDTH	HEIGHT
653	20'	14'



STANDARD SLAT DETAIL



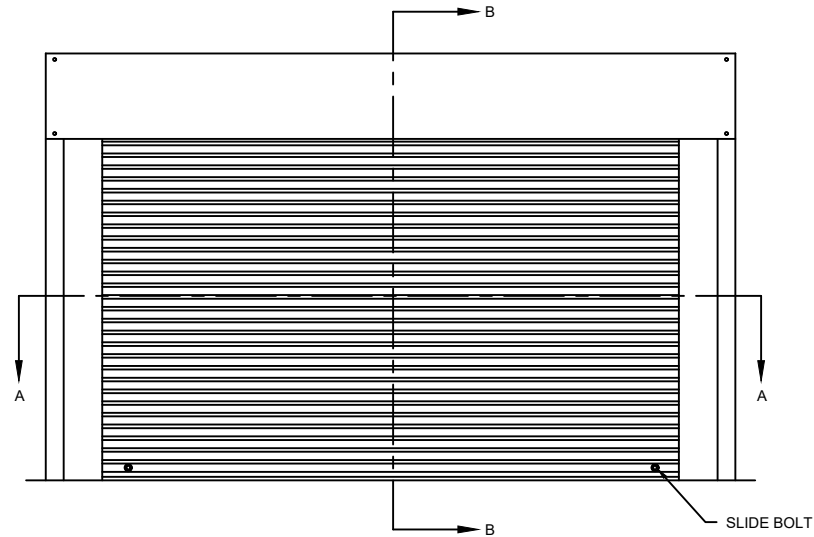
PERFORATED SLAT DETAIL



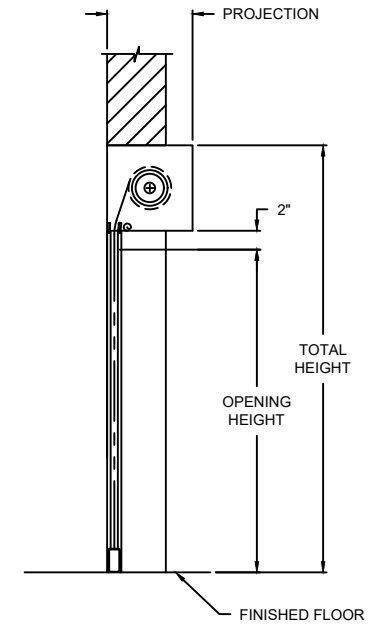
FENESTRATED SLAT DETAIL

OPTIONS

OPENING WIDTH	
OPENING HEIGHT	
SLAT OPTIONS	<input type="checkbox"/> STANDARD <input type="checkbox"/> FENESTRATED <input type="checkbox"/> PERFORATED
EXTRA OPTIONS	<input type="checkbox"/> HOOD SUPPORT <input type="checkbox"/> INTERLOCK SWITCH



ELEVATION



SECTION B-B



SECTION A-A

PROJECTION	
MIN.	MAX.
7" X 7"	14" X 14"

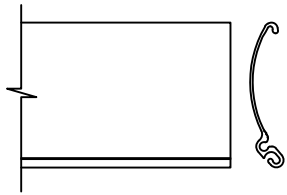
COMPONENT	MATERIAL	OPERATION	NOTES:
HOOD	ALUMINUM	MANUAL PUSH UP	- WARRANTY: LIMITED 2 YEAR WARRANTY FOR ALL PARTS
CURTAIN	ALUMINUM SLATS		
GUIDES	EXTRUDED ALUMINUM		
BOTTOM BAR	ALUMINUM		

ALLURA[®]

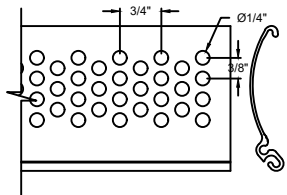
653 ROLLING SECURITY SHUTTERS - BETWEEN JAMBS

DWG. NO.	DATE:	The Genuine. The Original. OVERHEAD DOOR
SHEET	BY:	

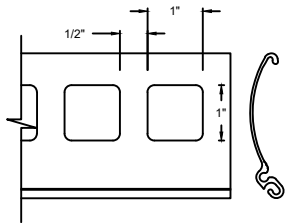
MODEL	STANDARD MAX. VALUES	
	WIDTH	HEIGHT
653	20'	14'



STANDARD SLAT DETAIL



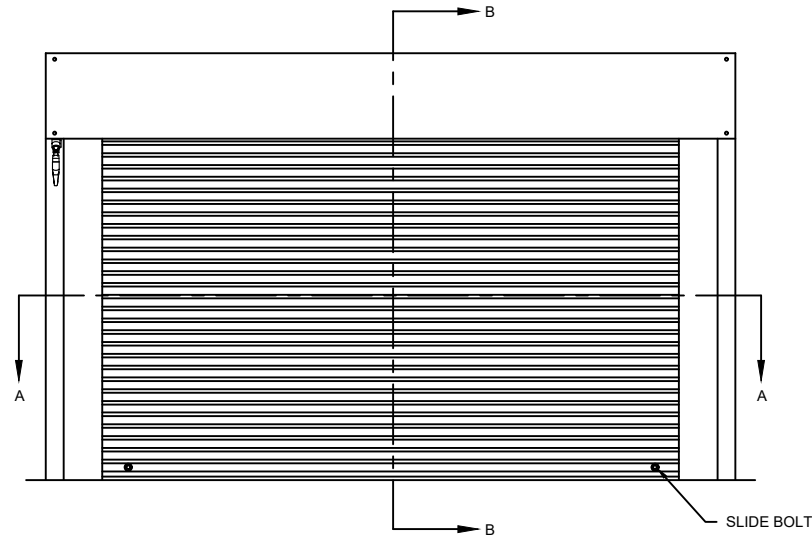
PERFORATED SLAT DETAIL



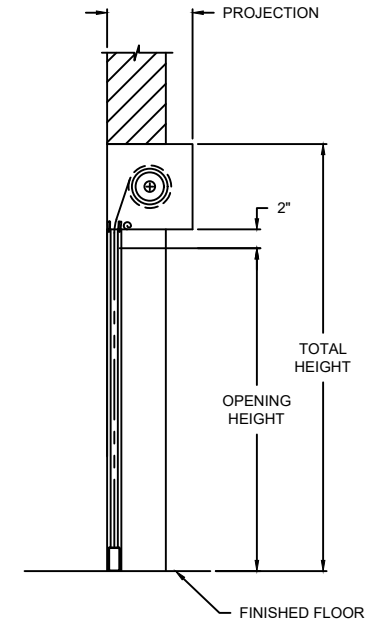
FENESTRATED SLAT DETAIL

OPTIONS

OPENING WIDTH	
OPENING HEIGHT	
SLAT OPTIONS	<input type="checkbox"/> STANDARD <input type="checkbox"/> FENESTRATED <input type="checkbox"/> PERFORATED
EXTRA OPTIONS	<input type="checkbox"/> HOOD SUPPORT <input type="checkbox"/> INTERLOCK SWITCH



ELEVATION



SECTION B-B

PROJECTION	
MIN.	MAX.
7" X 7"	14" X 14"



SECTION A-A

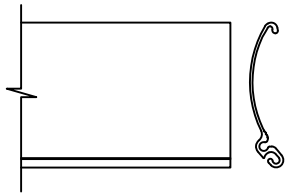
COMPONENT	MATERIAL	OPERATION	NOTES:
HOOD	ALUMINUM	CRANK LH	- WARRANTY: LIMITED 2 YEAR WARRANTY FOR ALL PARTS
CURTAIN	ALUMINUM SLATS		
GUIDES	EXTRUDED ALUMINUM		
BOTTOM BAR	ALUMINUM		

ALLURA[®]

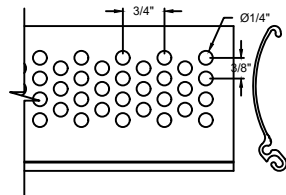
653 ROLLING SECURITY SHUTTERS - BETWEEN JAMBS

DWG. NO.	DATE:	The Genuine. The Original. OVERHEAD DOOR
SHEET	BY:	

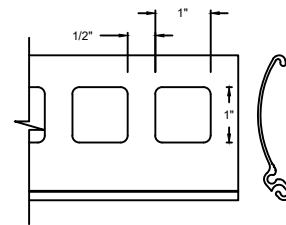
MODEL	STANDARD MAX. VALUES	
	WIDTH	HEIGHT
653	20'	14'



STANDARD SLAT DETAIL



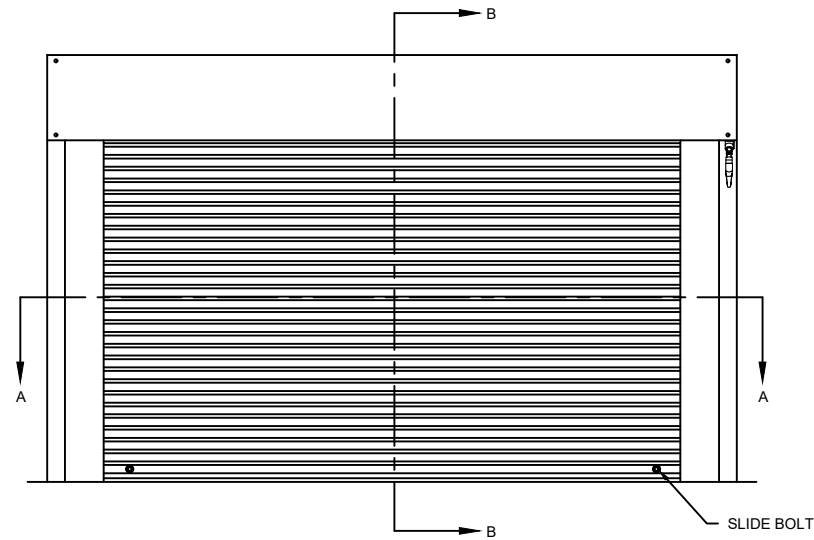
PERFORATED SLAT DETAIL



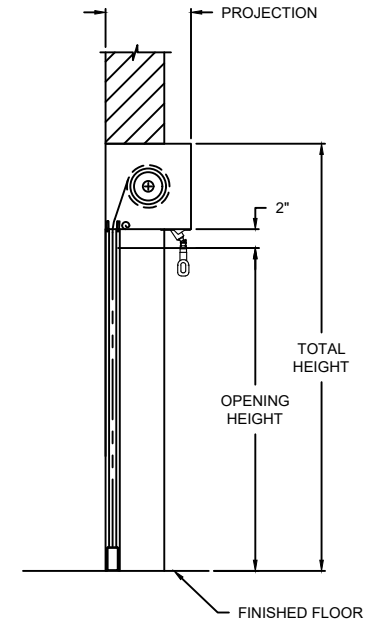
FENESTRATED SLAT DETAIL

OPTIONS

OPENING WIDTH	
OPENING HEIGHT	
SLAT OPTIONS	<input type="checkbox"/> STANDARD <input type="checkbox"/> FENESTRATED <input type="checkbox"/> PERFORATED
EXTRA OPTIONS	<input type="checkbox"/> HOOD SUPPORT <input type="checkbox"/> INTERLOCK SWITCH



ELEVATION



SECTION B-B

PROJECTION	
MIN.	MAX.
7" X 7"	14" X 14"



SECTION A-A

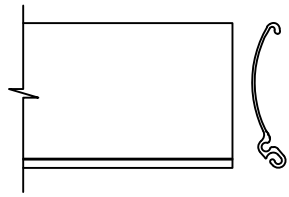
COMPONENT	MATERIAL	OPERATION	NOTES:
HOOD	ALUMINUM	CRANK RH	- WARRANTY: LIMITED 2 YEAR WARRANTY FOR ALL PARTS
CURTAIN	ALUMINUM SLATS		
GUIDES	EXTRUDED ALUMINUM		
BOTTOM BAR	ALUMINUM		

ALLURA[®]

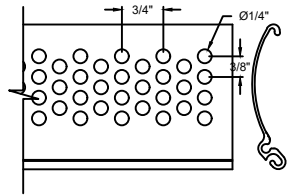
653 ROLLING SECURITY SHUTTERS - BETWEEN JAMBS

DWG. NO.	DATE:	The Genuine. The Original. OVERHEAD DOOR
SHEET	BY:	

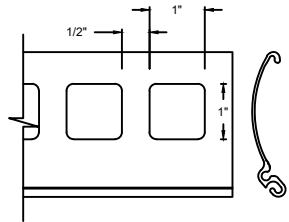
MODEL	STANDARD MAX. VALUES	
	WIDTH	HEIGHT
653	20'	14'



STANDARD SLAT DETAIL



PERFORATED SLAT DETAIL

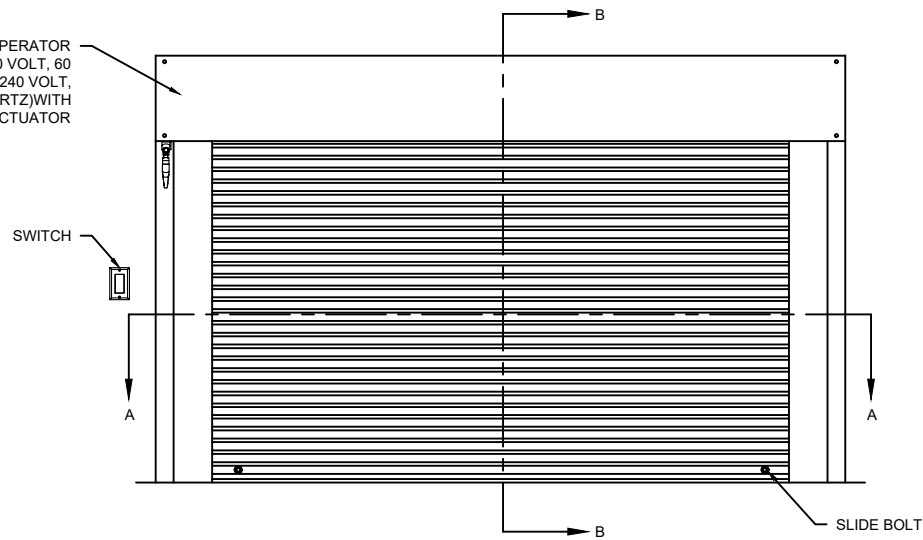


FENESTRATED SLAT DETAIL

OPTIONS

OPENING WIDTH	
OPENING HEIGHT	
SLAT OPTIONS	<input type="checkbox"/> STANDARD <input type="checkbox"/> FENESTRATED <input type="checkbox"/> PERFORATED
EXTRA OPTIONS	<input type="checkbox"/> HOOD SUPPORT <input type="checkbox"/> INTERLOCK SWITCH

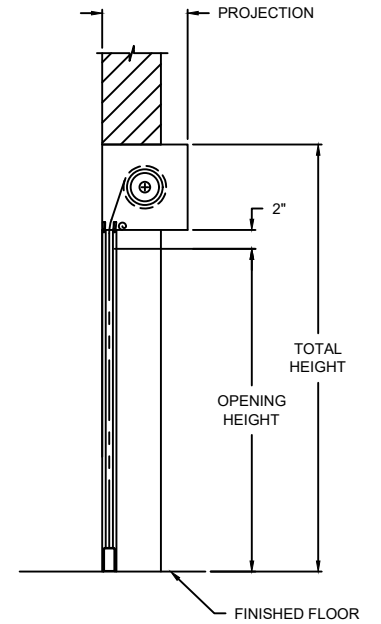
INTEGRATED OPERATOR
14 RPM, 110 VOLT, 60
HERTZ (OPT: 240 VOLT,
50 HERTZ) WITH
OPEN/CLOSE ACTUATOR



ELEVATION



SECTION A-A



SECTION B-B

PROJECTION	
MIN.	MAX.
7" X 7"	14" X 14"

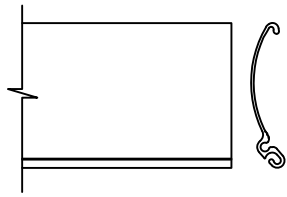
COMPONENT	MATERIAL	OPERATION	NOTES:
HOOD	ALUMINUM	MOTOR LH	- WARRANTY: LIMITED 2 YEAR WARRANTY FOR ALL PARTS
CURTAIN	ALUMINUM SLATS		
GUIDES	EXTRUDED ALUMINUM		
BOTTOM BAR	ALUMINUM		

ALLURA[®]

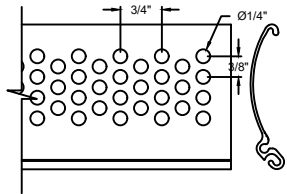
653 ROLLING SECURITY SHUTTERS - BETWEEN JAMBS

DWG. NO.	DATE:	The Genuine. The Original. OVERHEAD DOOR
SHEET	BY:	

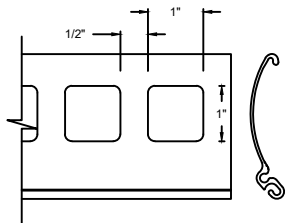
MODEL	STANDARD MAX. VALUES	
	WIDTH	HEIGHT
653	20'	14'



STANDARD SLAT DETAIL



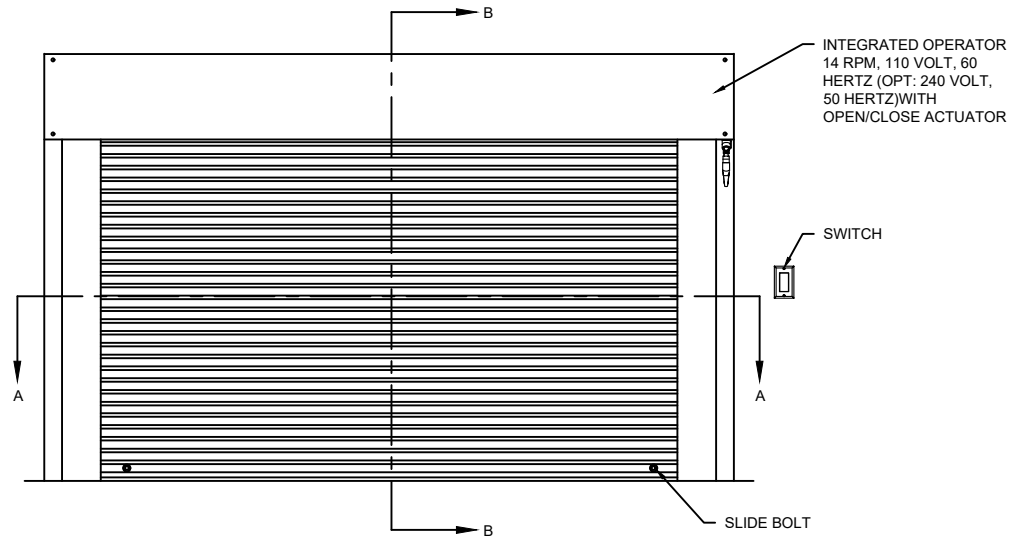
PERFORATED SLAT DETAIL



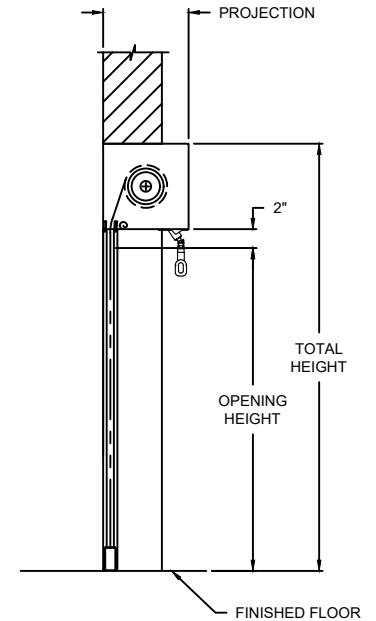
FENESTRATED SLAT DETAIL

OPTIONS

OPENING WIDTH	
OPENING HEIGHT	
SLAT OPTIONS	<input type="checkbox"/> STANDARD <input type="checkbox"/> FENESTRATED <input type="checkbox"/> PERFORATED
EXTRA OPTIONS	<input type="checkbox"/> HOOD SUPPORT <input type="checkbox"/> INTERLOCK SWITCH



ELEVATION



SECTION B-B

PROJECTION	
MIN.	MAX.
7" X 7"	14" X 14"



SECTION A-A

COMPONENT	MATERIAL	OPERATION	NOTES:
HOOD	ALUMINUM	MOTOR RH	- WARRANTY: LIMITED 2 YEAR WARRANTY FOR ALL PARTS
CURTAIN	ALUMINUM SLATS		
GUIDES	EXTRUDED ALUMINUM		
BOTTOM BAR	ALUMINUM		

ALLURA[®]

653 ROLLING SECURITY SHUTTERS - BETWEEN JAMBS

DWG. NO.	DATE:	The Genuine. The Original. OVERHEAD DOOR
SHEET	BY:	