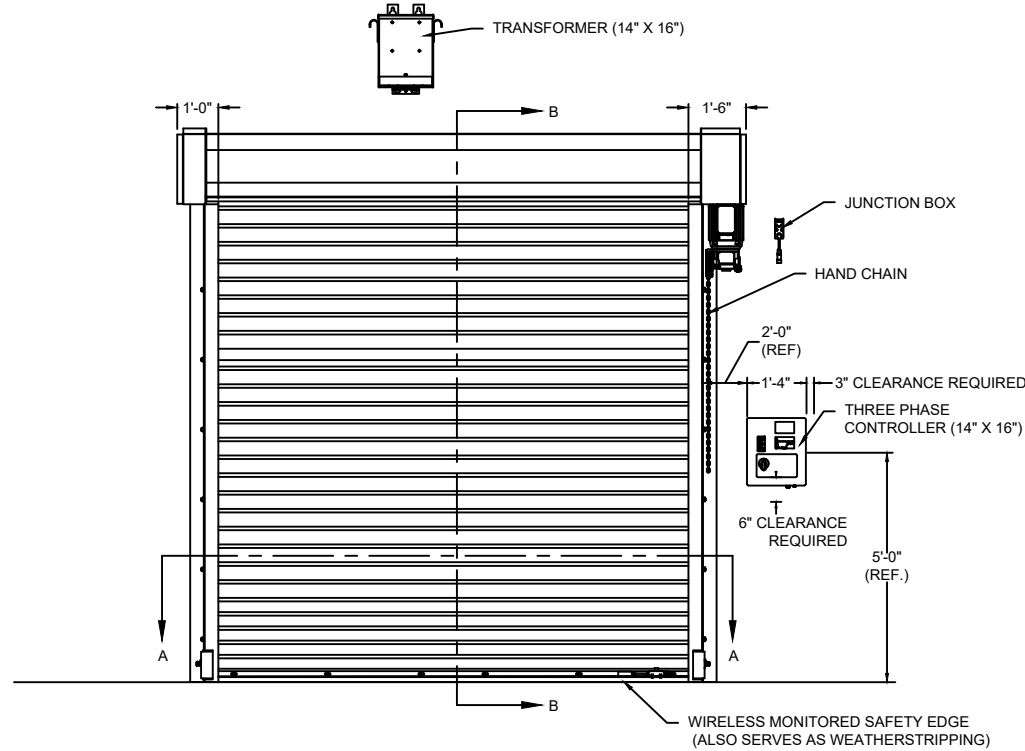


F-265I SLAT DETAIL

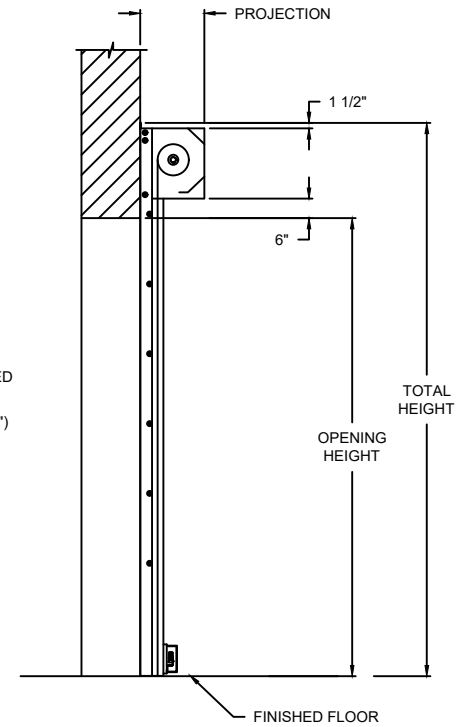
MODEL	STANDARD MAX. VALUES	
	WIDTH	HEIGHT
626	30'	20'

**OPTIONS**

OPENING WIDTH	
OPENING HEIGHT	
GUIDE OPTIONS	<input type="checkbox"/> E GUIDE <input type="checkbox"/> Z GUIDE
HOOD OPTIONS	<input type="checkbox"/> INTERIOR OCTAGON <input type="checkbox"/> INTERIOR ROUND <input type="checkbox"/> INTERIOR SQUARE <input type="checkbox"/> EXTERIOR SLOPED



ELEVATION



SECTION B-B

PROJECTION	
MIN.	MAX.
12" X 14"	26" X 28"



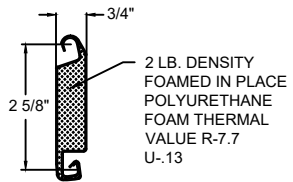
SECTION A-A

COMPONENT	MATERIAL	OPERATION	NOTES:
HOOD	24 GA. GALVANIZED STEEL, BLACK	MOTOR RH 208V 1-PHASE 60HZ VIA TRANSFORMER (190-207 V RANGE)	1. WINDLOAD 20 P.S.F
CURTAIN	ALUMINUM		
GUIDES	STEEL ANGLES		
BOTTOM BAR	STEEL ANGLES		

**RAPIDSLAT®**

626 ADVANCED PERFORMANCE STORMTITE™  
INSULATED SERVICE DOOR

DWG. NO.	DATE:	
SHEET	BY:	

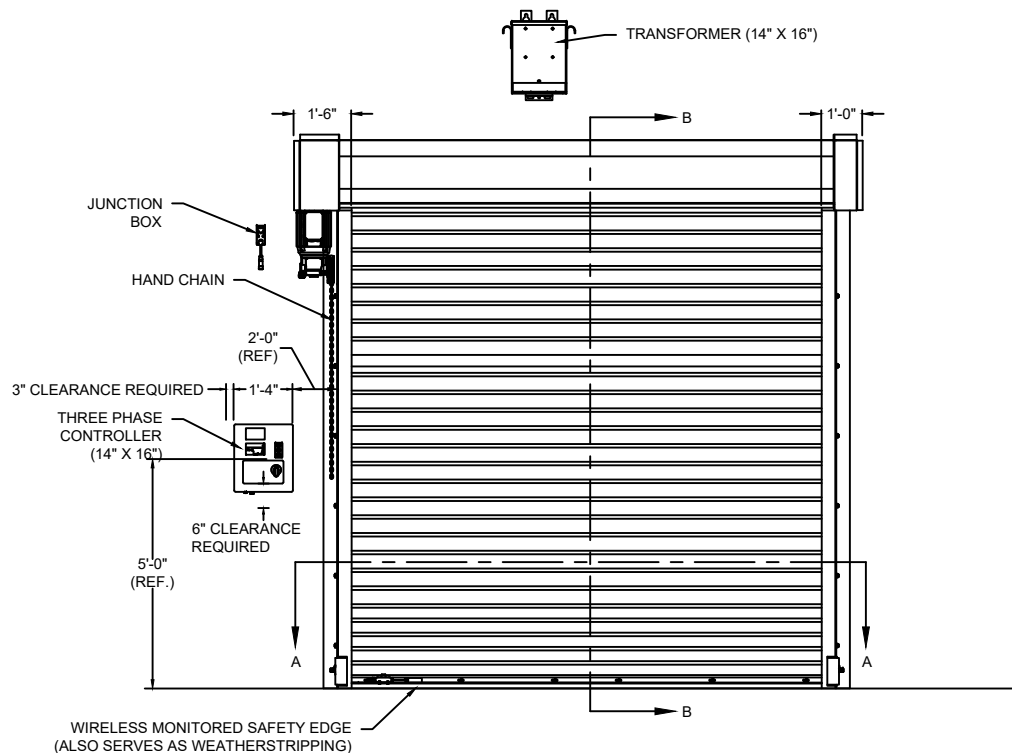


F-265I SLAT DETAIL

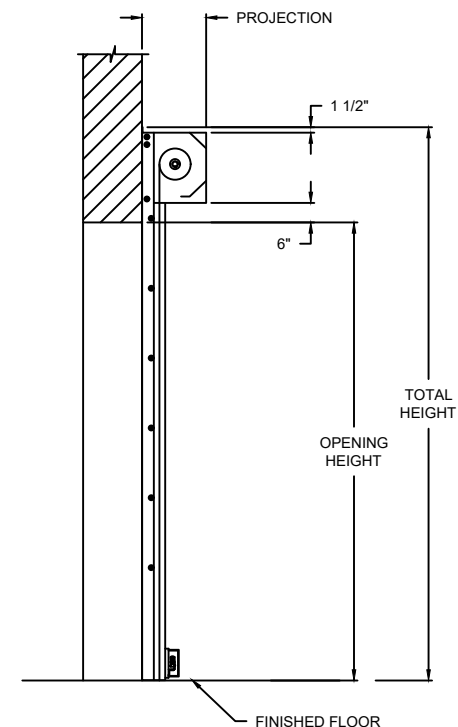
MODEL	STANDARD MAX. VALUES	
	WIDTH	HEIGHT
626	30'	20'

**OPTIONS**

OPENING WIDTH	
OPENING HEIGHT	
GUIDE OPTIONS	<input type="checkbox"/> E GUIDE <input type="checkbox"/> Z GUIDE
HOOD OPTIONS	<input type="checkbox"/> INTERIOR OCTOGON <input type="checkbox"/> INTERIOR ROUND <input type="checkbox"/> INTERIOR SQUARE <input type="checkbox"/> EXTERIOR SLOPED



ELEVATION



SECTION B-B

PROJECTION	
MIN.	MAX.
12" X 14"	26" X 28"



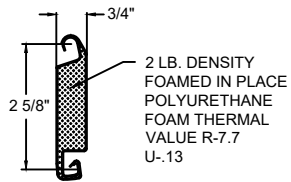
SECTION A-A

COMPONENT	MATERIAL	OPERATION	NOTES:
HOOD	24 GA. GALVANIZED STEEL, BLACK	MOTOR LH 208V 1-PHASE 60HZ VIA TRANSFORMER (190-207 V RANGE)	1. WINDLOAD 20 P.S.F
CURTAIN	ALUMINUM		
GUIDES	STEEL ANGLES		
BOTTOM BAR	STEEL ANGLES		

**RAPIDSLAT®**

626 ADVANCED PERFORMANCE STORMTITE™  
INSULATED SERVICE DOOR

DWG. NO.	DATE:	
SHEET	BY:	

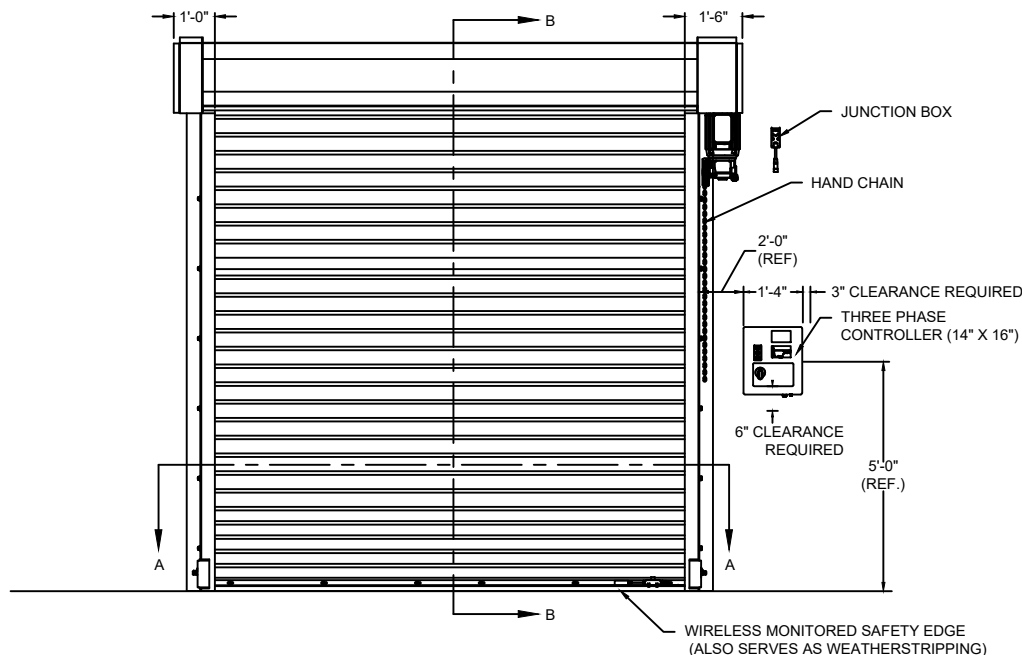


F-265I SLAT DETAIL

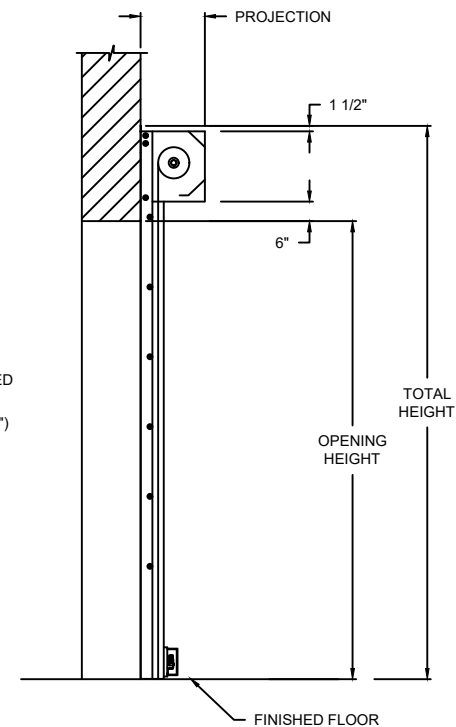
MODEL	STANDARD MAX. VALUES	
	WIDTH	HEIGHT
626	30'	20'

**OPTIONS**

OPENING WIDTH	
OPENING HEIGHT	
GUIDE OPTIONS	<input type="checkbox"/> E GUIDE <input type="checkbox"/> Z GUIDE
HOOD OPTIONS	<input type="checkbox"/> INTERIOR OCTOGON <input type="checkbox"/> INTERIOR ROUND <input type="checkbox"/> INTERIOR SQUARE <input type="checkbox"/> EXTERIOR SLOPED



ELEVATION



SECTION B-B

PROJECTION	
MIN.	MAX.
12" X 14"	26" X 28"



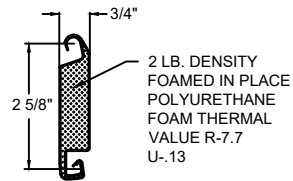
SECTION A-A

**RAPIDSLAT®**

626 ADVANCED PERFORMANCE STORMTITE™  
INSULATED SERVICE DOOR

COMPONENT	MATERIAL	OPERATION	NOTES:
HOOD	24 GA. GALVANIZED STEEL, BLACK	MOTOR RH 230V 1-PHASE 60HZ VIA (208-245 V RANGE)	1. WINDLOAD 20 P.S.F
CURTAIN	ALUMINUM		
GUIDES	STEEL ANGLES		
BOTTOM BAR	STEEL ANGLES		

DWG. NO.	DATE:	
SHEET	BY:	

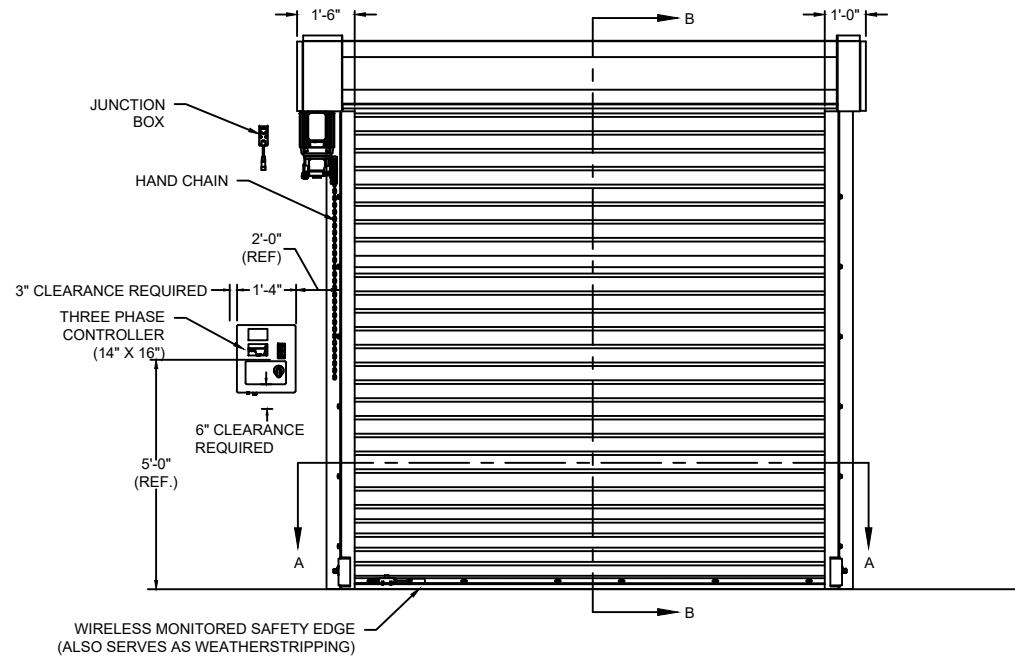


F-265I SLAT DETAIL

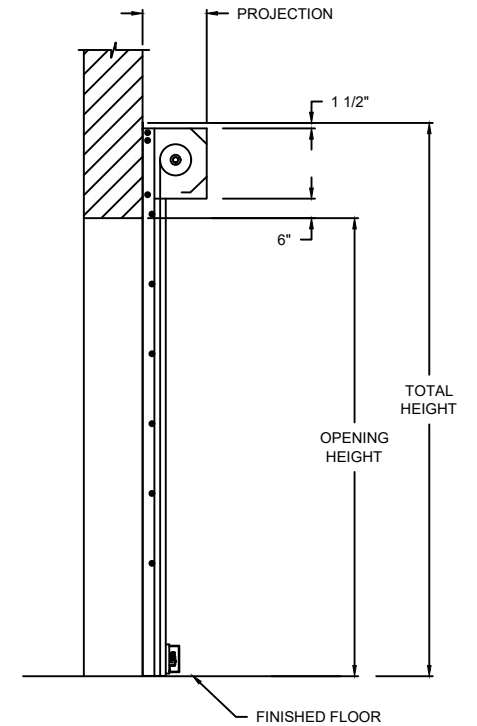
MODEL	STANDARD MAX. VALUES	
	WIDTH	HEIGHT
626	30'	20'

**OPTIONS**

OPENING WIDTH	
OPENING HEIGHT	
GUIDE OPTIONS	<input type="checkbox"/> E GUIDE <input type="checkbox"/> Z GUIDE
HOOD OPTIONS	<input type="checkbox"/> INTERIOR OCTAGON <input type="checkbox"/> INTERIOR ROUND <input type="checkbox"/> INTERIOR SQUARE <input type="checkbox"/> EXTERIOR SLOPED



ELEVATION



SECTION B-B

PROJECTION	
MIN.	MAX.
12" X 14"	26" X 28"



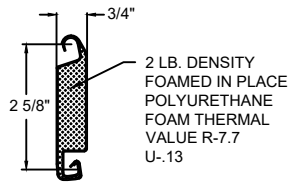
SECTION A-A

**RAPIDSLAT®**

626 ADVANCED PERFORMANCE STORMTITE™  
INSULATED SERVICE DOOR

DWG. NO.	DATE:	
SHEET	BY:	

COMPONENT	MATERIAL	OPERATION	NOTES:
HOOD	24 GA. GALVANIZED STEEL, BLACK	MOTOR LH 230V 1-PHASE 60HZ VIA (208-245 V RANGE)	1. WINDLOAD 20 P.S.F
CURTAIN	ALUMINUM		
GUIDES	STEEL ANGLES		
BOTTOM BAR	STEEL ANGLES		

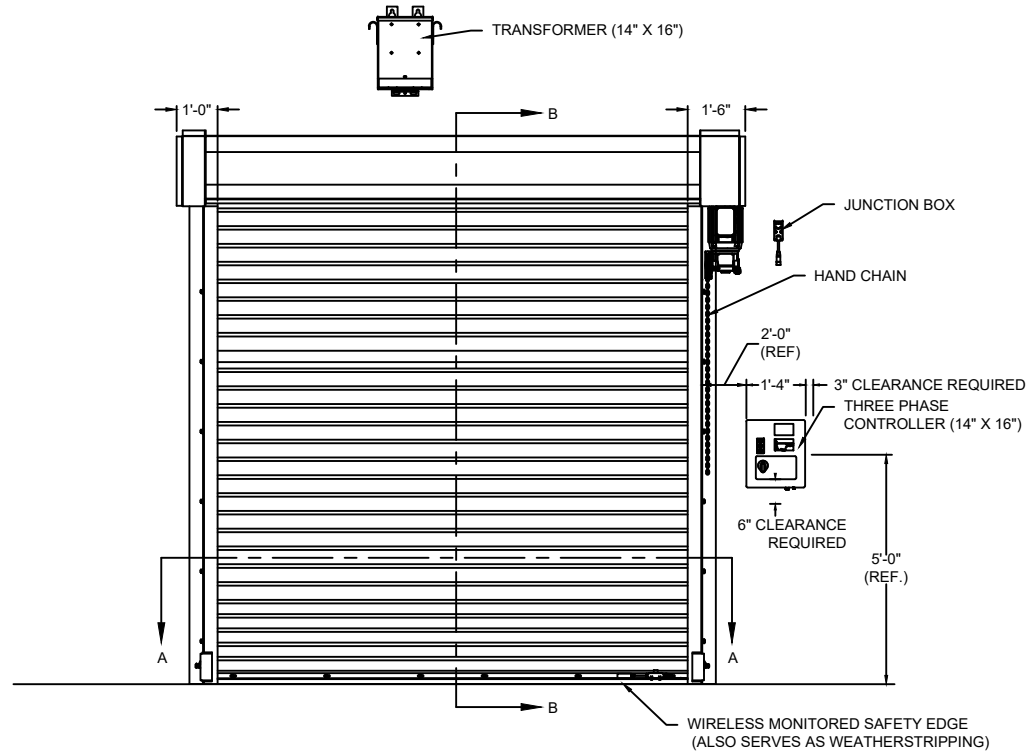


F-265I SLAT DETAIL

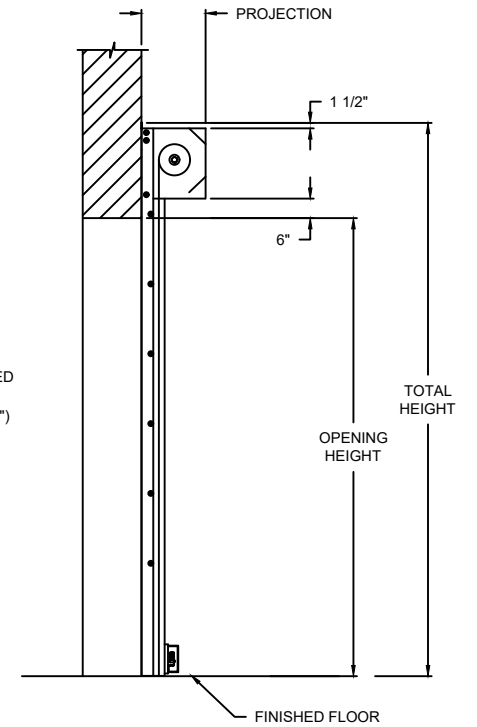
MODEL	STANDARD MAX. VALUES	
	WIDTH	HEIGHT
626	30'	20'

**OPTIONS**

OPENING WIDTH	
OPENING HEIGHT	
GUIDE OPTIONS	<input type="checkbox"/> E GUIDE <input type="checkbox"/> Z GUIDE
HOOD OPTIONS	<input type="checkbox"/> INTERIOR OCTOGON <input type="checkbox"/> INTERIOR ROUND <input type="checkbox"/> INTERIOR SQUARE <input type="checkbox"/> EXTERIOR SLOPED



ELEVATION



SECTION B-B

PROJECTION	
MIN.	MAX.
12" X 14"	26" X 28"



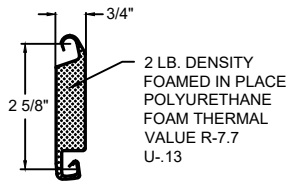
SECTION A-A

COMPONENT	MATERIAL	OPERATION	NOTES:
HOOD	24 GA. GALVANIZED STEEL, BLACK	MOTOR RH 208V 3-PHASE 60HZ VIA TRANSFORMER (190-207 V RANGE)	1. WINDLOAD 20 P.S.F
CURTAIN	ALUMINUM		
GUIDES	STEEL ANGLES		
BOTTOM BAR	STEEL ANGLES		

**RAPIDSLAT®**

626 ADVANCED PERFORMANCE STORMTITE™  
INSULATED SERVICE DOOR

DWG. NO.	DATE:	
SHEET	BY:	

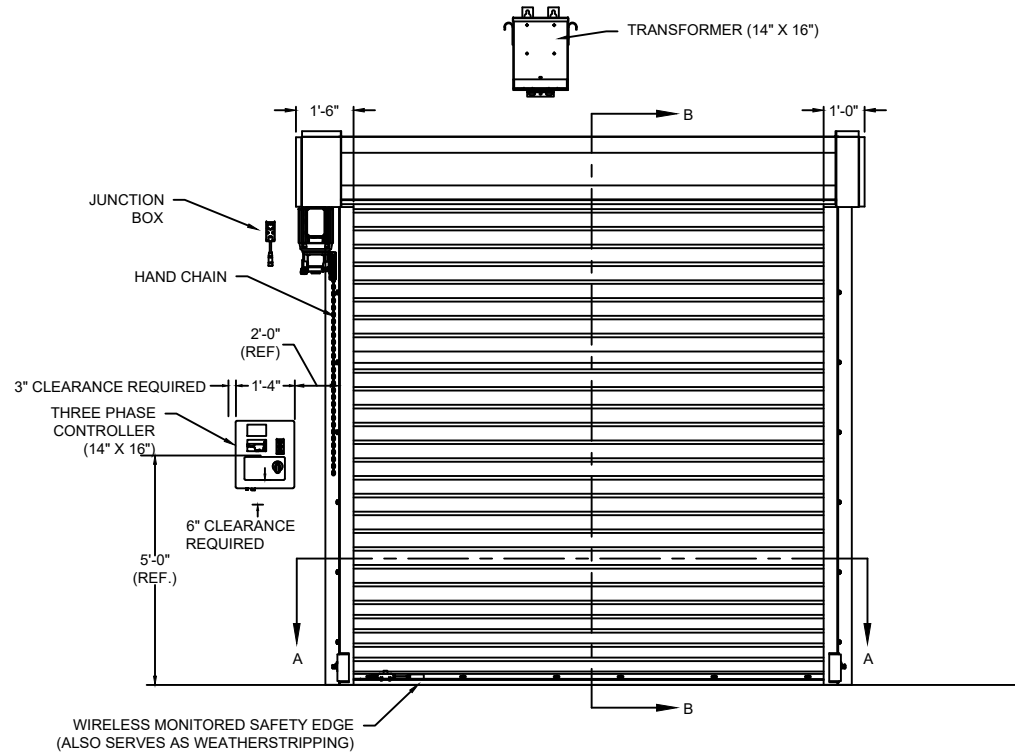


F-265I SLAT DETAIL

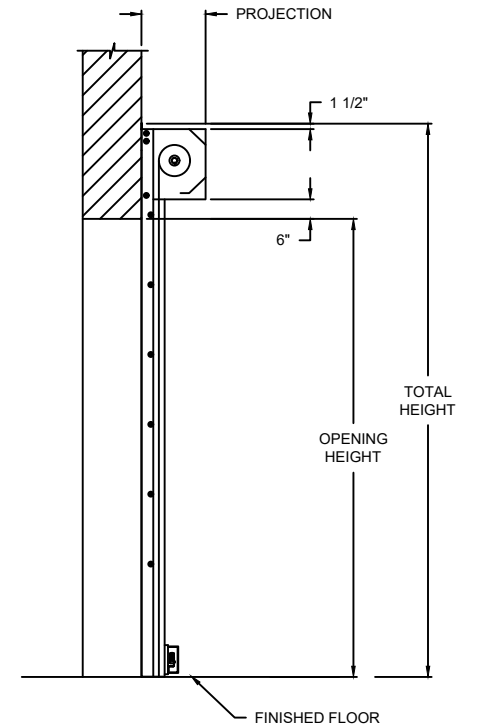
MODEL	STANDARD MAX. VALUES	
	WIDTH	HEIGHT
626	30'	20'

**OPTIONS**

OPENING WIDTH	
OPENING HEIGHT	
GUIDE OPTIONS	<input type="checkbox"/> E GUIDE <input type="checkbox"/> Z GUIDE
HOOD OPTIONS	<input type="checkbox"/> INTERIOR OCTOGON <input type="checkbox"/> INTERIOR ROUND <input type="checkbox"/> INTERIOR SQUARE <input type="checkbox"/> EXTERIOR SLOPED



ELEVATION



SECTION B-B

PROJECTION	
MIN.	MAX.
12" X 14"	26" X 28"



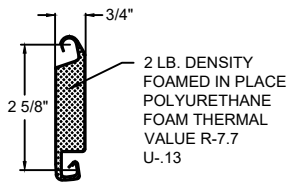
SECTION A-A

**RAPIDSLAT®**

626 ADVANCED PERFORMANCE STORMTITE™  
INSULATED SERVICE DOOR

COMPONENT	MATERIAL	OPERATION	NOTES:
HOOD	24 GA. GALVANIZED STEEL, BLACK	MOTOR LH 208V 3-PHASE 60HZ VIA TRANSFORMER (190-207 V RANGE)	1. WINDLOAD 20 P.S.F
CURTAIN	ALUMINUM		
GUIDES	STEEL ANGLES		
BOTTOM BAR	STEEL ANGLES		

DWG. NO.	DATE:	
SHEET	BY:	

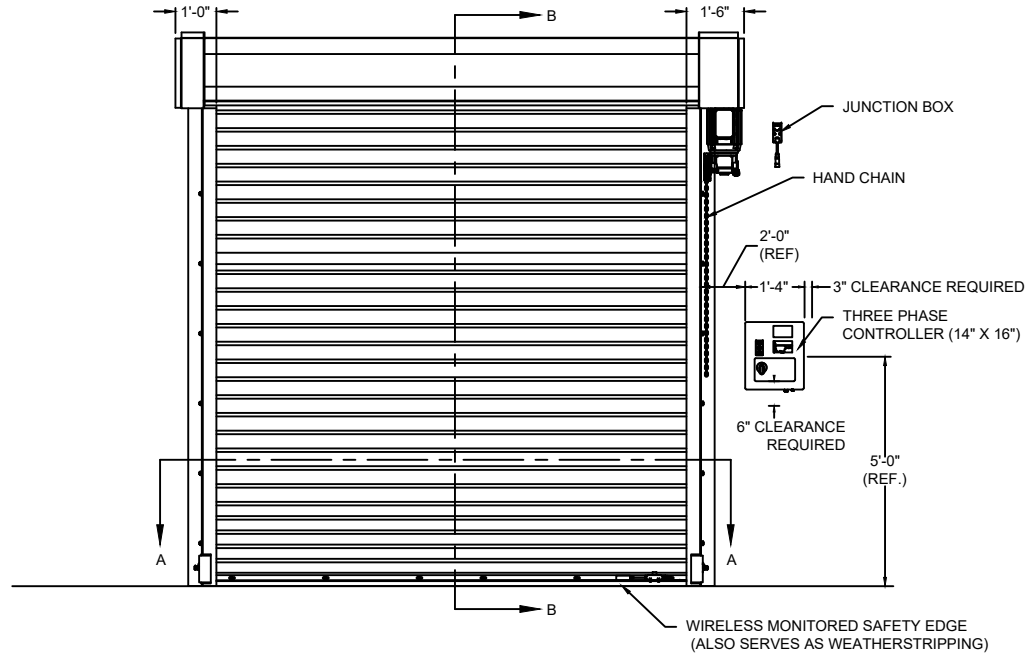


F-265I SLAT DETAIL

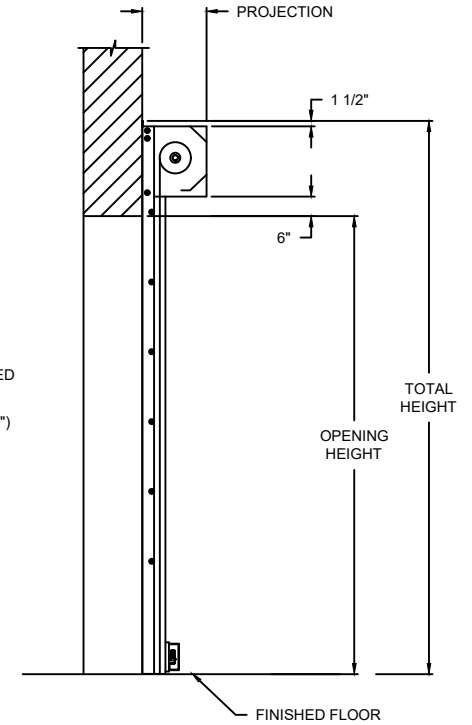
MODEL	STANDARD MAX. VALUES	
	WIDTH	HEIGHT
626	30'	20'

**OPTIONS**

OPENING WIDTH	
OPENING HEIGHT	
GUIDE OPTIONS	<input type="checkbox"/> E GUIDE <input type="checkbox"/> Z GUIDE
HOOD OPTIONS	<input type="checkbox"/> INTERIOR OCTOGON <input type="checkbox"/> INTERIOR ROUND <input type="checkbox"/> INTERIOR SQUARE <input type="checkbox"/> EXTERIOR SLOPED



ELEVATION



SECTION B-B

PROJECTION	
MIN.	MAX.
12" X 14"	26" X 28"



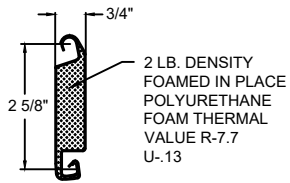
SECTION A-A

COMPONENT	MATERIAL	OPERATION	NOTES:
HOOD	24 GA. GALVANIZED STEEL, BLACK	MOTOR RH 230V 3-PHASE 60HZ VIA TRANSFORMER (208-245 V RANGE)	1. WINDLOAD 20 P.S.F
CURTAIN	ALUMINUM		
GUIDES	STEEL ANGLES		
BOTTOM BAR	STEEL ANGLES		

**RAPIDSLAT®**

626 ADVANCED PERFORMANCE STORMTITE™  
INSULATED SERVICE DOOR

DWG. NO.	DATE:	
SHEET	BY:	

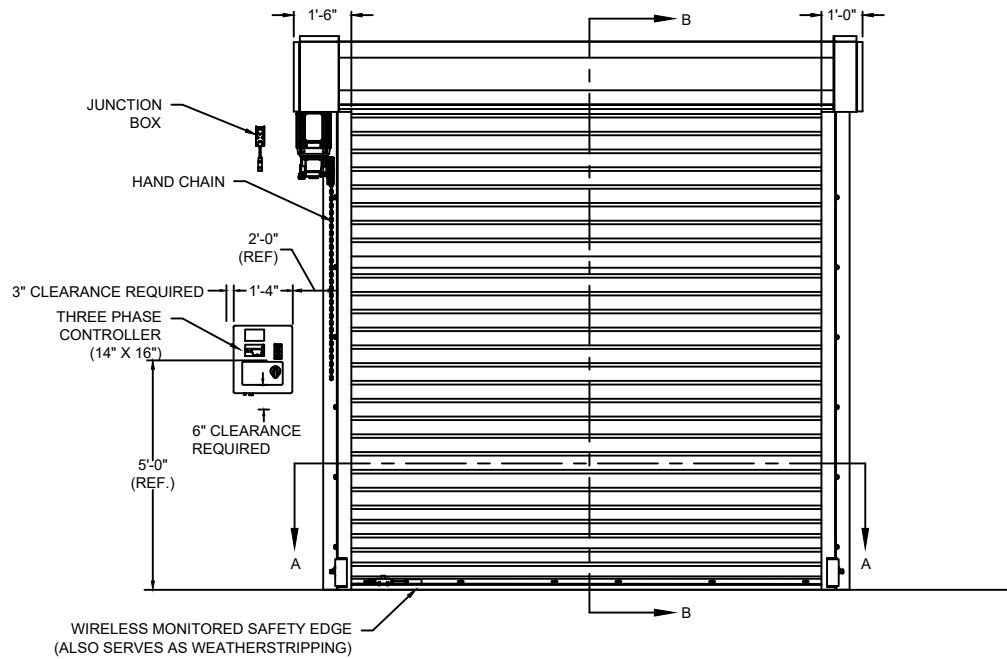


F-265I SLAT DETAIL

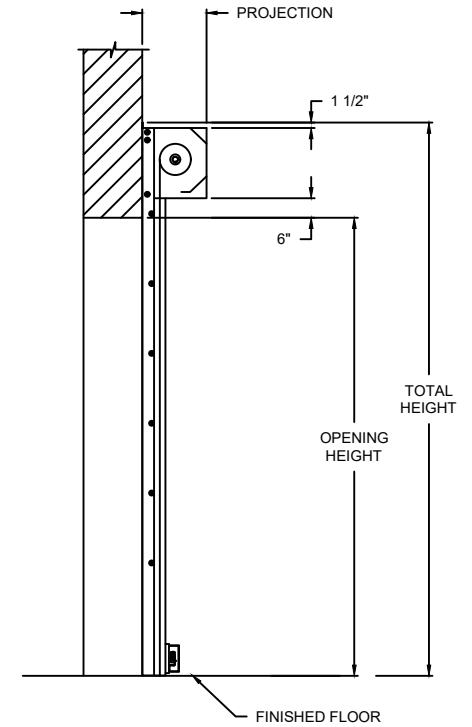
MODEL	STANDARD MAX. VALUES	
	WIDTH	HEIGHT
626	30'	20'

**OPTIONS**

OPENING WIDTH	
OPENING HEIGHT	
GUIDE OPTIONS	<input type="checkbox"/> E GUIDE <input type="checkbox"/> Z GUIDE
HOOD OPTIONS	<input type="checkbox"/> INTERIOR OCTAGON <input type="checkbox"/> INTERIOR ROUND <input type="checkbox"/> INTERIOR SQUARE <input type="checkbox"/> EXTERIOR SLOPED



ELEVATION



SECTION B-B

PROJECTION	
MIN.	MAX.
12" X 14"	26" X 28"



SECTION A-A

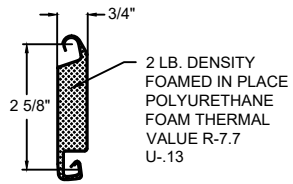
COMPONENT	MATERIAL	OPERATION	NOTES:
HOOD	24 GA. GALVANIZED STEEL, BLACK	MOTOR LH 230V 3-PHASE 60HZ VIA TRANSFORMER (208-245 V RANGE)	1. WINDLOAD 20 P.S.F
CURTAIN	ALUMINUM		
GUIDES	STEEL ANGLES		
BOTTOM BAR	STEEL ANGLES		

**RAPIDSLAT®**

626 ADVANCED PERFORMANCE STORMTITE™  
INSULATED SERVICE DOOR

DWG. NO.	DATE:	
SHEET	BY:	



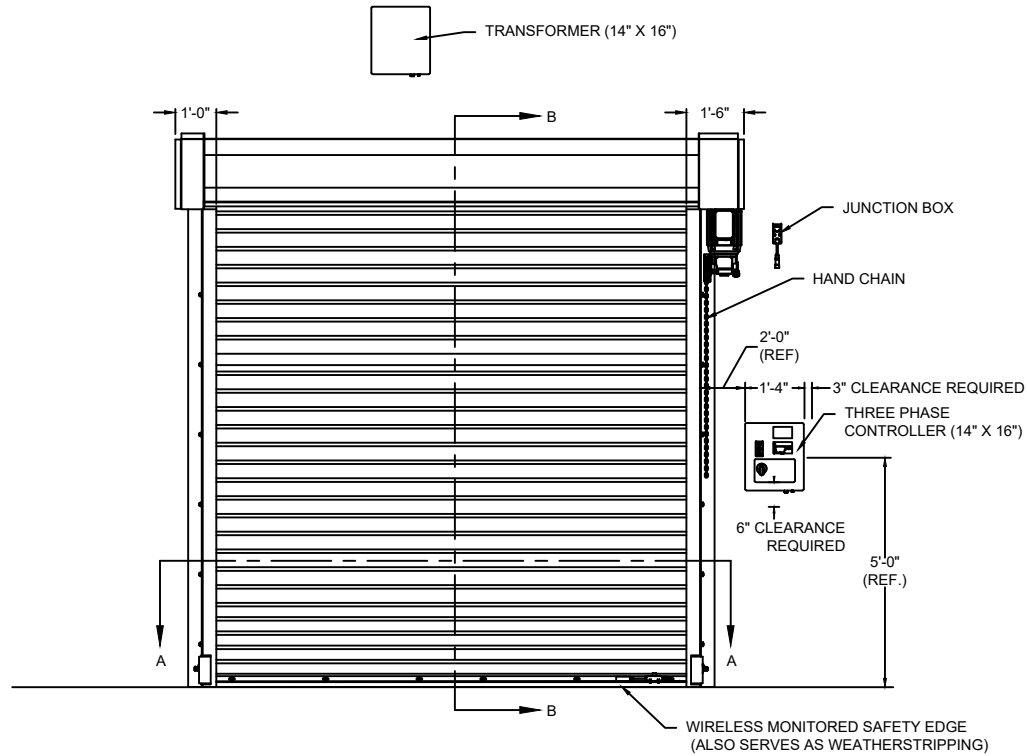


F-265I SLAT DETAIL

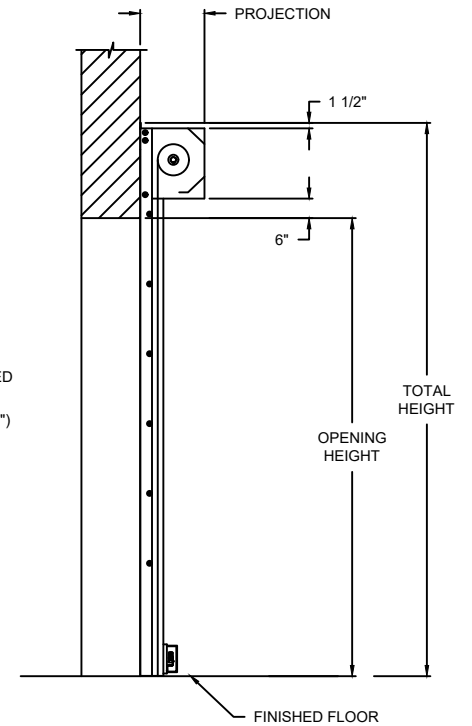
MODEL	STANDARD MAX. VALUES	
	WIDTH	HEIGHT
626	30'	20'

**OPTIONS**

OPENING WIDTH	
OPENING HEIGHT	
GUIDE OPTIONS	<input type="checkbox"/> E GUIDE <input type="checkbox"/> Z GUIDE
HOOD OPTIONS	<input type="checkbox"/> INTERIOR OCTAGON <input type="checkbox"/> INTERIOR ROUND <input type="checkbox"/> INTERIOR SQUARE <input type="checkbox"/> EXTERIOR SLOPED



ELEVATION



SECTION B-B

PROJECTION	
MIN.	MAX.
12" X 14"	26" X 28"



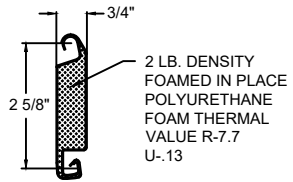
SECTION A-A

COMPONENT	MATERIAL	OPERATION	NOTES:
HOOD	24 GA. GALVANIZED STEEL, BLACK	MOTOR RH 460V 3-PHASE 60HZ VIA TRANSFORMER (456-495V RANGE)	1. WINDLOAD 20 P.S.F
CURTAIN	ALUMINUM		
GUIDES	STEEL ANGLES		
BOTTOM BAR	STEEL ANGLES		

**RAPIDSLAT®**

626 ADVANCED PERFORMANCE STORMTITE™  
INSULATED SERVICE DOOR

DWG. NO.	DATE:	
SHEET	BY:	

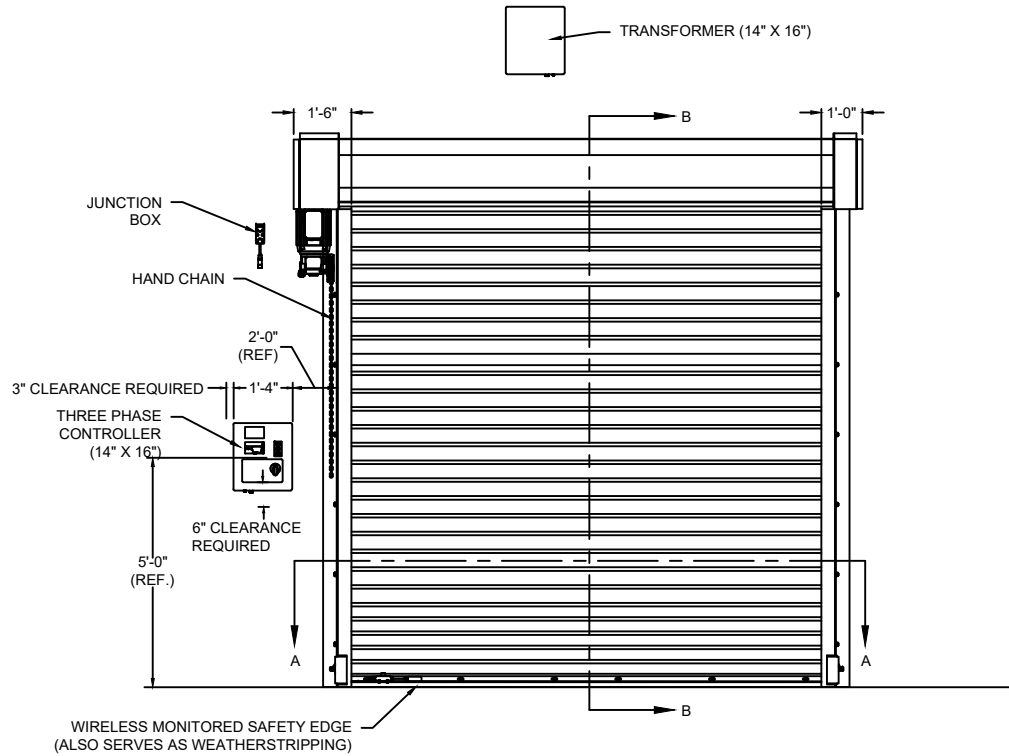


F-265I SLAT DETAIL

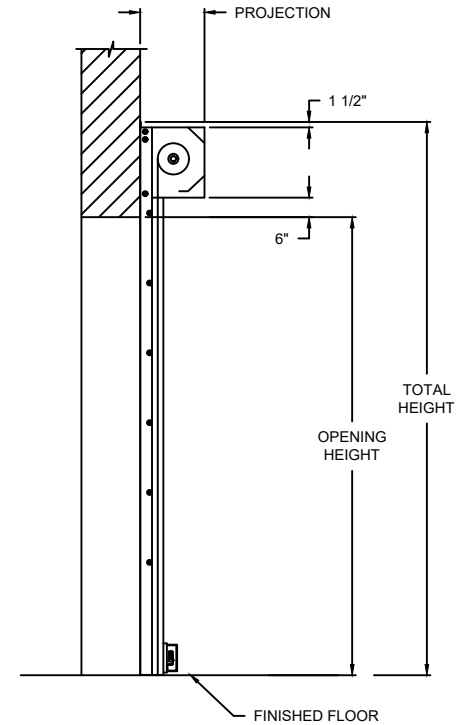
MODEL	STANDARD MAX. VALUES	
	WIDTH	HEIGHT
626	30'	20'

**OPTIONS**

OPENING WIDTH	
OPENING HEIGHT	
GUIDE OPTIONS	<input type="checkbox"/> E GUIDE <input type="checkbox"/> Z GUIDE
HOOD OPTIONS	<input type="checkbox"/> INTERIOR OCTOGON <input type="checkbox"/> INTERIOR ROUND <input type="checkbox"/> INTERIOR SQUARE <input type="checkbox"/> EXTERIOR SLOPED



ELEVATION



SECTION B-B

PROJECTION	
MIN.	MAX.
12" X 14"	26" X 28"



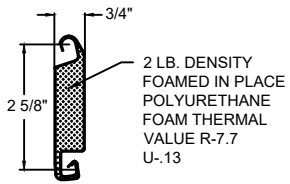
SECTION A-A

COMPONENT	MATERIAL	OPERATION	NOTES:
HOOD	24 GA. GALVANIZED STEEL, BLACK	MOTOR LH 460V 3-PHASE 60HZ VIA TRANSFORMER (456-495V RANGE)	1. WINDLOAD 20 P.S.F
CURTAIN	ALUMINUM		
GUIDES	STEEL ANGLES		
BOTTOM BAR	STEEL ANGLES		

**RAPIDSLAT®**

626 ADVANCED PERFORMANCE STORMTITE™  
INSULATED SERVICE DOOR

DWG. NO.	DATE:	
SHEET	BY:	

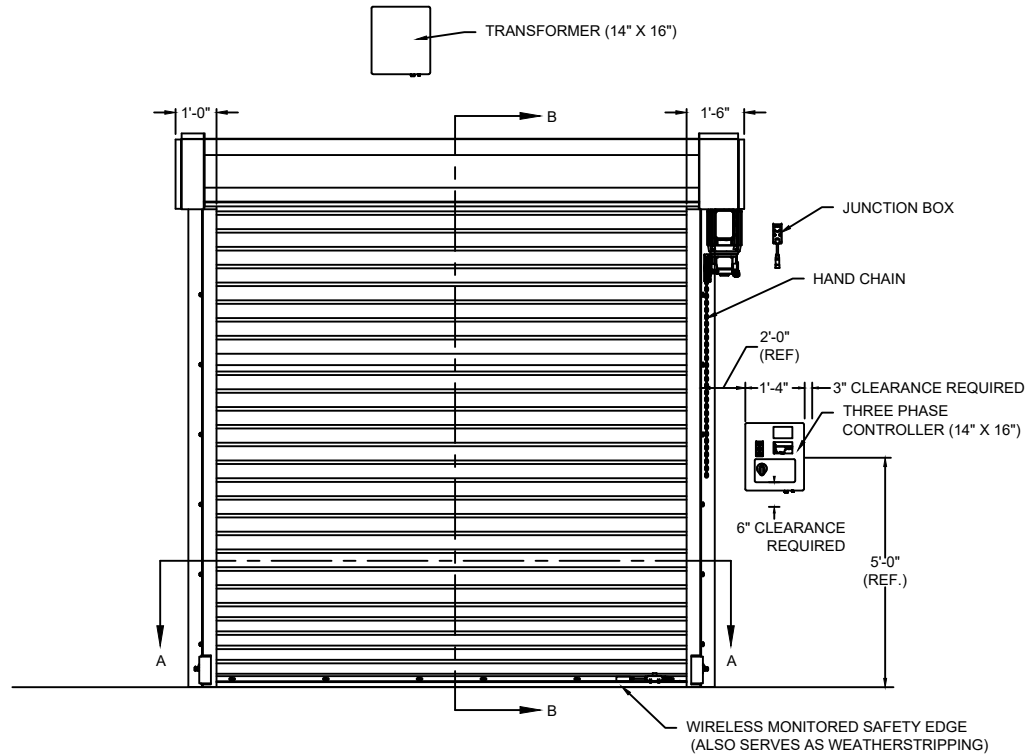


F-265I SLAT DETAIL

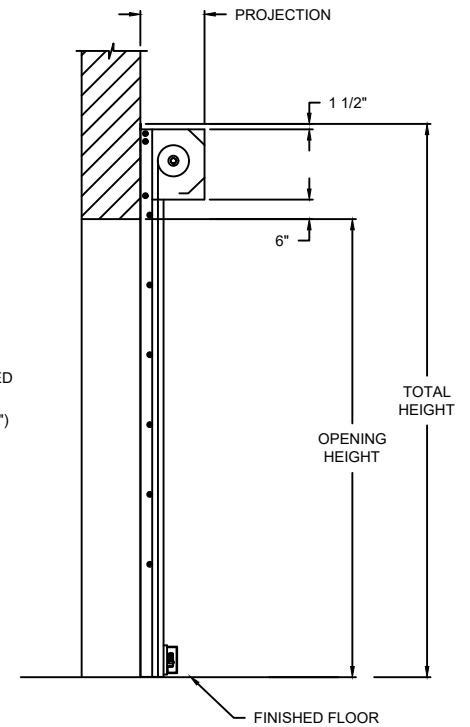
MODEL	STANDARD MAX. VALUES	
	WIDTH	HEIGHT
626	30'	20'

**OPTIONS**

OPENING WIDTH	
OPENING HEIGHT	
GUIDE OPTIONS	<input type="checkbox"/> E GUIDE <input type="checkbox"/> Z GUIDE
HOOD OPTIONS	<input type="checkbox"/> INTERIOR OCTOGON <input type="checkbox"/> INTERIOR ROUND <input type="checkbox"/> INTERIOR SQUARE <input type="checkbox"/> EXTERIOR SLOPED



ELEVATION



SECTION B-B

PROJECTION	
MIN.	MAX.
12" X 14"	26" X 28"



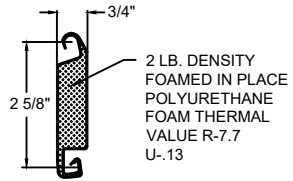
SECTION A-A

COMPONENT	MATERIAL	OPERATION	NOTES:
HOOD	24 GA. GALVANIZED STEEL, BLACK	MOTOR RH 575 V 3-PHASE 60HZ	1. WINDLOAD 20 P.S.F
CURTAIN	ALUMINUM		
GUIDES	STEEL ANGLES		
BOTTOM BAR	STEEL ANGLES		

**RAPIDSLAT®**

626 ADVANCED PERFORMANCE STORMTITE™  
INSULATED SERVICE DOOR

DWG. NO.	DATE:	
SHEET	BY:	

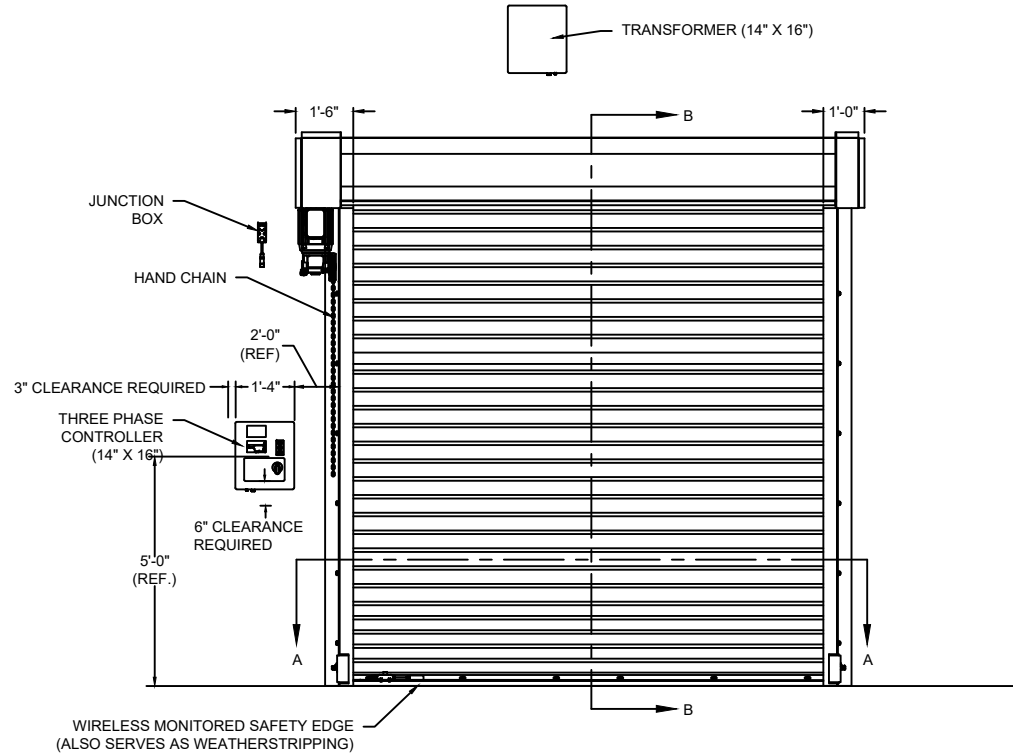


F-265I SLAT DETAIL

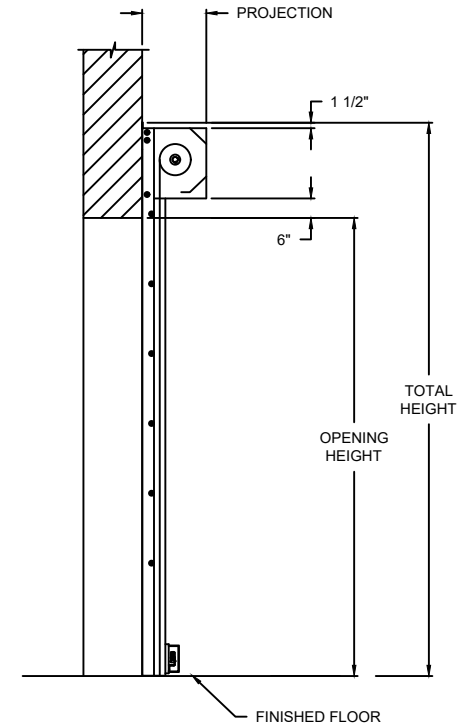
MODEL	STANDARD MAX. VALUES	
	WIDTH	HEIGHT
626	30'	20'

**OPTIONS**

OPENING WIDTH	
OPENING HEIGHT	
GUIDE OPTIONS	<input type="checkbox"/> E GUIDE <input type="checkbox"/> Z GUIDE
HOOD OPTIONS	<input type="checkbox"/> INTERIOR OCTAGON <input type="checkbox"/> INTERIOR ROUND <input type="checkbox"/> INTERIOR SQUARE <input type="checkbox"/> EXTERIOR SLOPED



ELEVATION



SECTION B-B

PROJECTION	
MIN.	MAX.
12" X 14"	26" X 28"



SECTION A-A

COMPONENT	MATERIAL	OPERATION	NOTES:
HOOD	24 GA. GALVANIZED STEEL, BLACK	MOTOR LH 575 V 3-PHASE 60HZ	1. WINDLOAD 20 P.S.F
CURTAIN	ALUMINUM		
GUIDES	STEEL ANGLES		
BOTTOM BAR	STEEL ANGLES		

**RAPIDSLAT®**

626 ADVANCED PERFORMANCE STORMTITE™  
INSULATED SERVICE DOOR

DWG. NO.	DATE:	
SHEET	BY:	