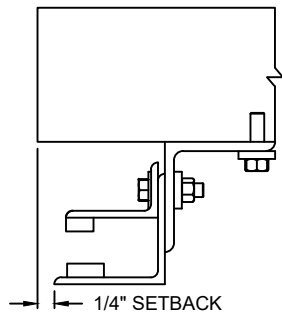
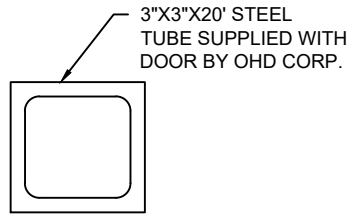


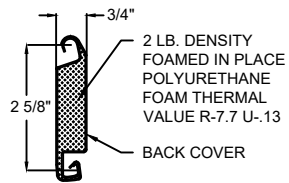
MODEL	STANDARD MAX. VALUES	
	WIDTH	HEIGHT
625	30' 4"	28' 4"



Z GUIDE DETAIL



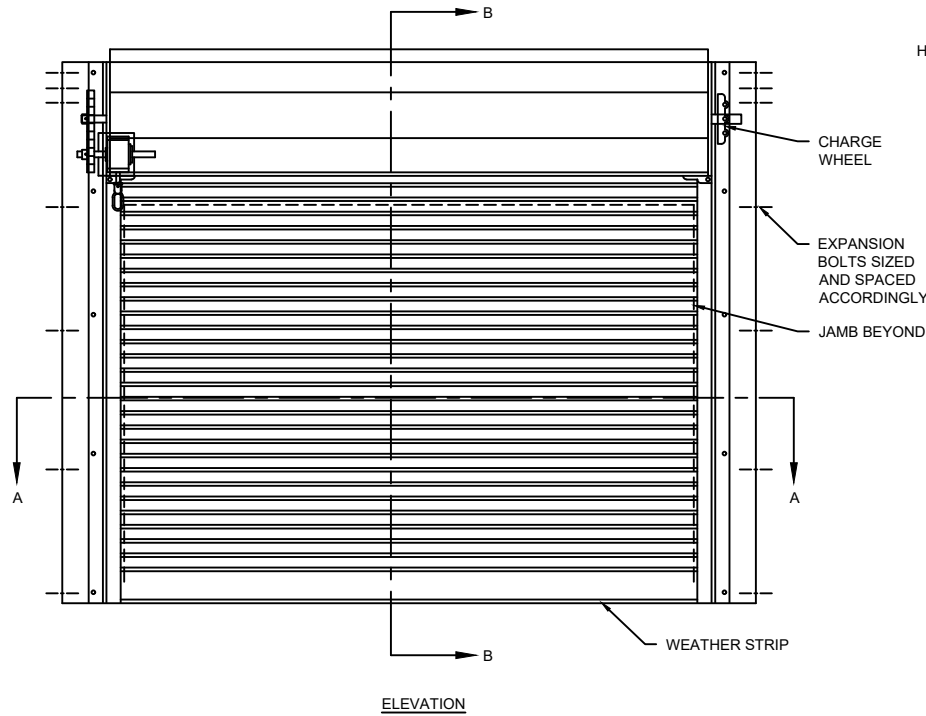
F TUBE DETAIL



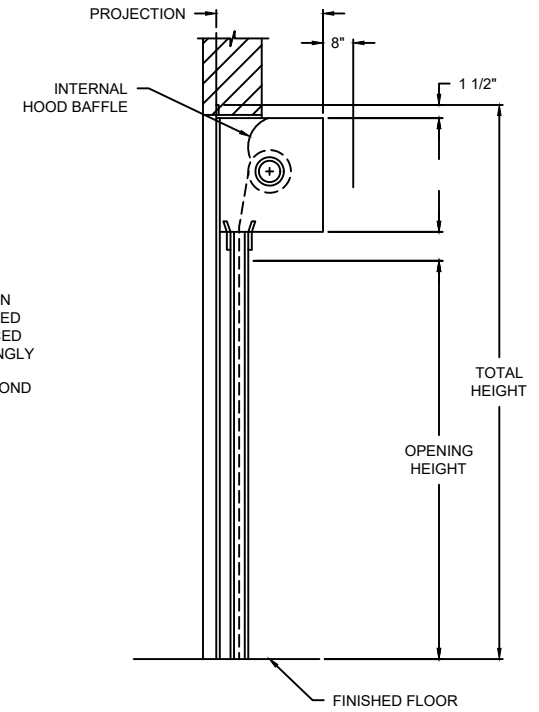
F-265I SLAT SECTION

**OPTIONS**

OPENING WIDTH	
OPENING HEIGHT	
HOOD OPTIONS	<input type="checkbox"/> OCTAGON <input type="checkbox"/> ROUND
GUIDE TYPE OPTIONS	<input type="checkbox"/> F TUBES <input type="checkbox"/> Z GUIDES

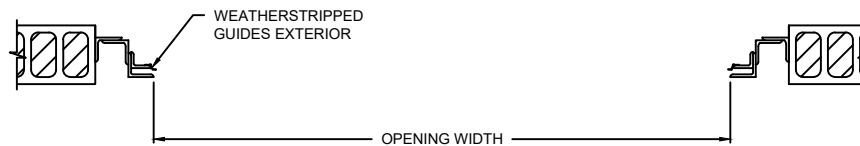


ELEVATION



SECTION B-B

PROJECTION	
MIN.	MAX.
12" X 14"	32" X 34"



SECTION A-A

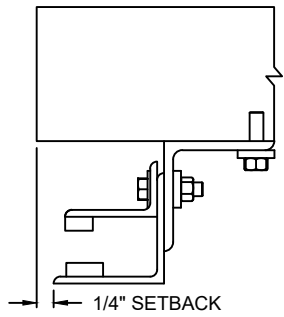
COMPONENT	MATERIAL	OPERATION	NOTES:
HOOD	24 GA. GALVANIZED STEEL	CRANK LH	WIND LOAD: 20 PSF
CURTAIN	24 GA. GALVANIZED STEEL		
GUIDES	STEEL ANGLES		
BOTTOM BAR	STEEL ANGLES		

# STORMTITE™

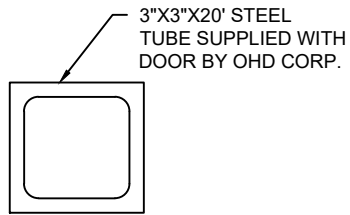
625 INSULATED HEAVY-DUTY ROLLING DOORS - BETWEEN JAMBS

DWG. NO.	DATE:	
SHEET	BY:	

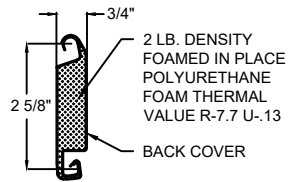
MODEL	STANDARD MAX. VALUES	
	WIDTH	HEIGHT
625	30' 4"	28' 4"



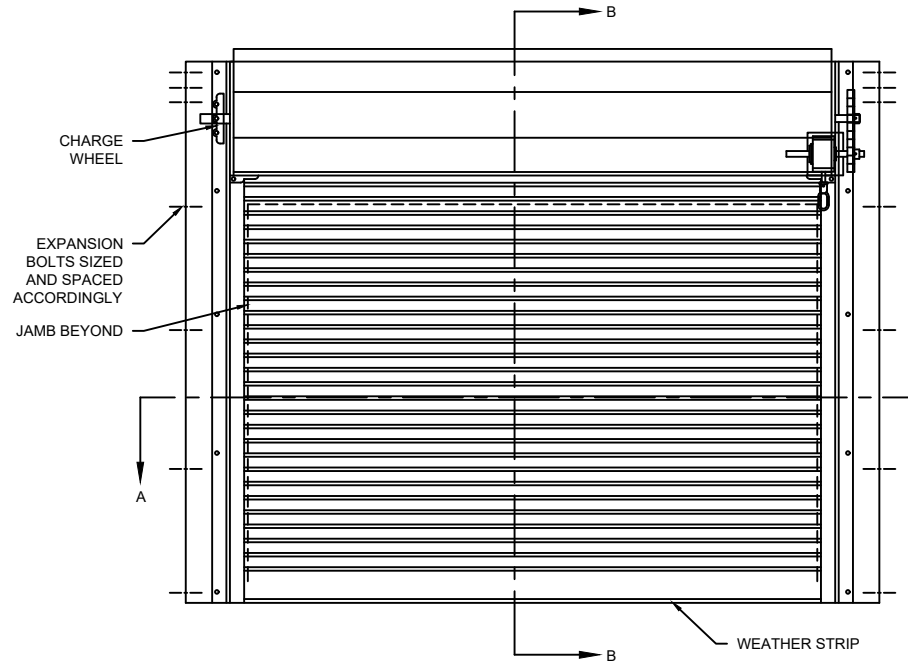
Z GUIDE DETAIL



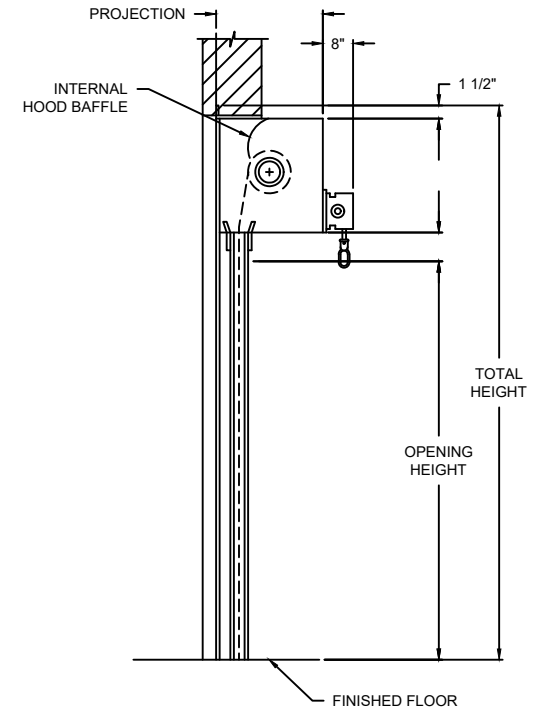
F TUBE DETAIL



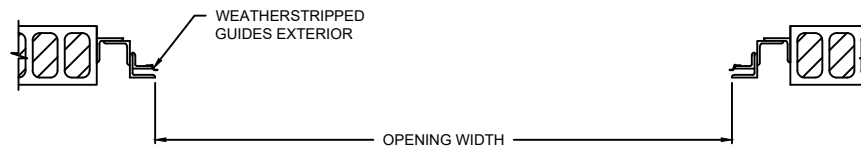
F-265I SLAT SECTION



ELEVATION



SECTION B-B



SECTION A-A

PROJECTION	
MIN.	MAX.
12" X 14"	32" X 34"

**OPTIONS**

OPENING WIDTH	
OPENING HEIGHT	
HOOD OPTIONS	<input type="checkbox"/> OCTAGON <input type="checkbox"/> ROUND
GUIDE TYPE OPTIONS	<input type="checkbox"/> F TUBES <input type="checkbox"/> Z GUIDES
SLAT OPTIONS	<input type="checkbox"/> C187 <input type="checkbox"/> C275

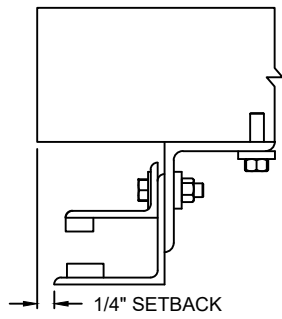
COMPONENT	MATERIAL	OPERATION	NOTES:
HOOD	24 GA. GALVANIZED STEEL	CRANK RH	WIND LOAD: 20 PSF
CURTAIN	24 GA. GALVANIZED STEEL		
GUIDES	STEEL ANGLES		
BOTTOM BAR	STEEL ANGLES		

# STORMTITE™

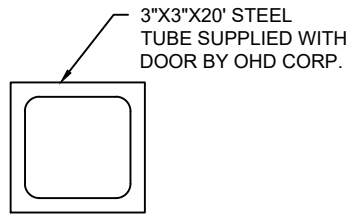
625 INSULATED HEAVY-DUTY ROLLING DOORS - BETWEEN JAMBS

DWG. NO.	DATE:	
SHEET	BY:	

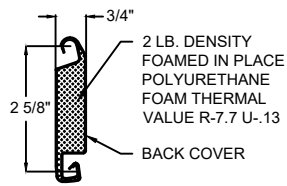
MODEL	STANDARD MAX. VALUES	
	WIDTH	HEIGHT
625	30' 4"	28' 4"



Z GUIDE DETAIL



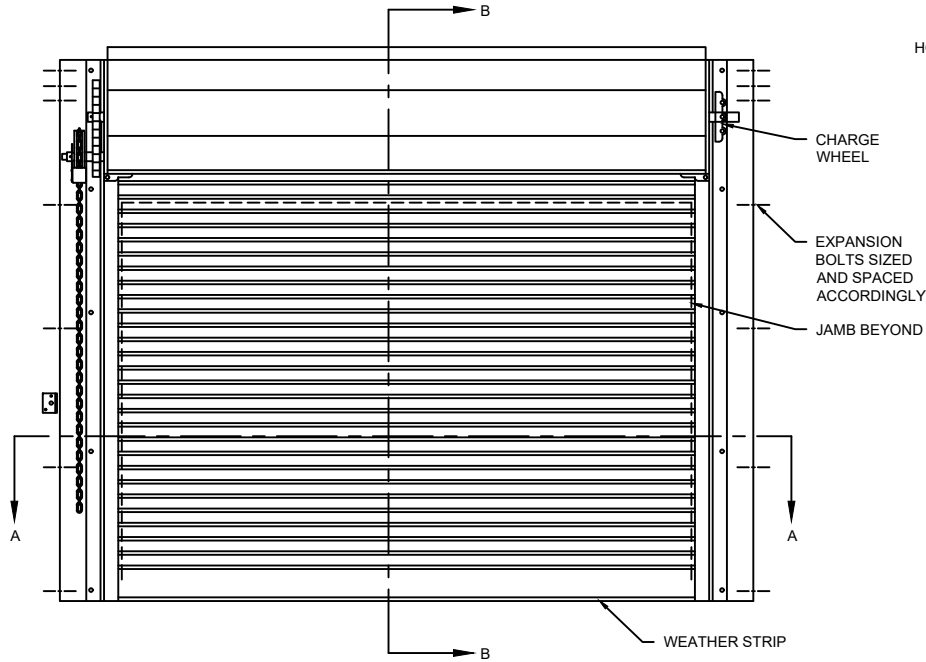
F TUBE DETAIL



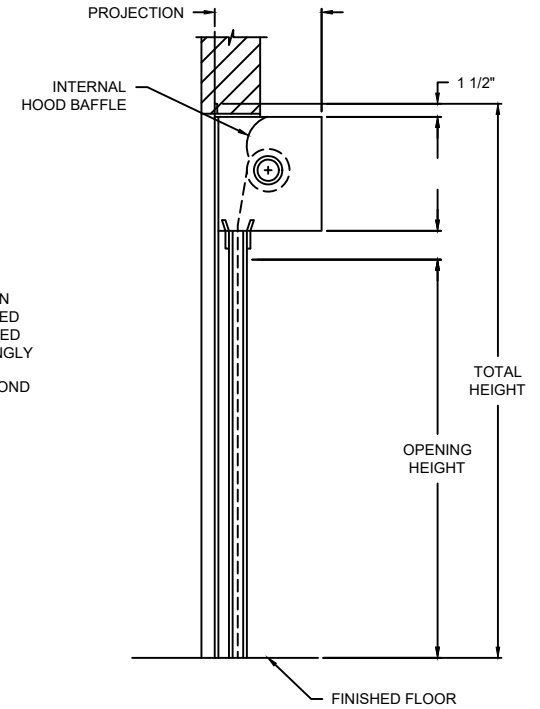
F-265I SLAT SECTION

**OPTIONS**

OPENING WIDTH	
OPENING HEIGHT	
HOOD OPTIONS	<input type="checkbox"/> OCTAGON <input type="checkbox"/> ROUND
GUIDE TYPE OPTIONS	<input type="checkbox"/> F TUBES <input type="checkbox"/> Z GUIDES
CHAIN HOIST COVER	<input type="checkbox"/> WITH <input type="checkbox"/> WITHOUT

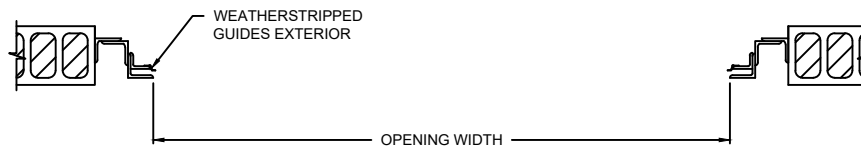


ELEVATION



SECTION B-B

PROJECTION	
MIN.	MAX.
12" X 14"	32" X 34"



SECTION A-A

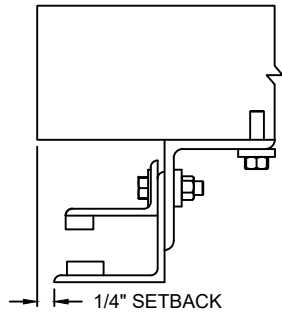
COMPONENT	MATERIAL	OPERATION	NOTES:
HOOD	24 GA. GALVANIZED STEEL	CHAIN HOIST LH	WIND LOAD: 20 PSF
CURTAIN	24 GA. GALVANIZED STEEL		
GUIDES	STEEL ANGLES		
BOTTOM BAR	STEEL ANGLES		

# STORMTITE™

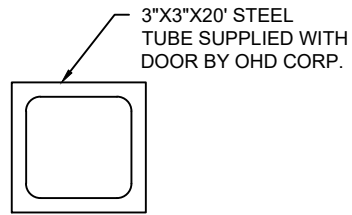
625 INSULATED HEAVY-DUTY ROLLING DOORS - BETWEEN JAMBS

DWG. NO.	DATE:	
SHEET	BY:	

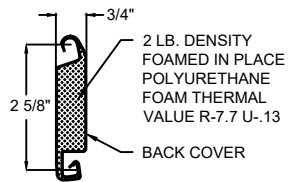
MODEL	STANDARD MAX. VALUES	
	WIDTH	HEIGHT
625	30' 4"	28' 4"



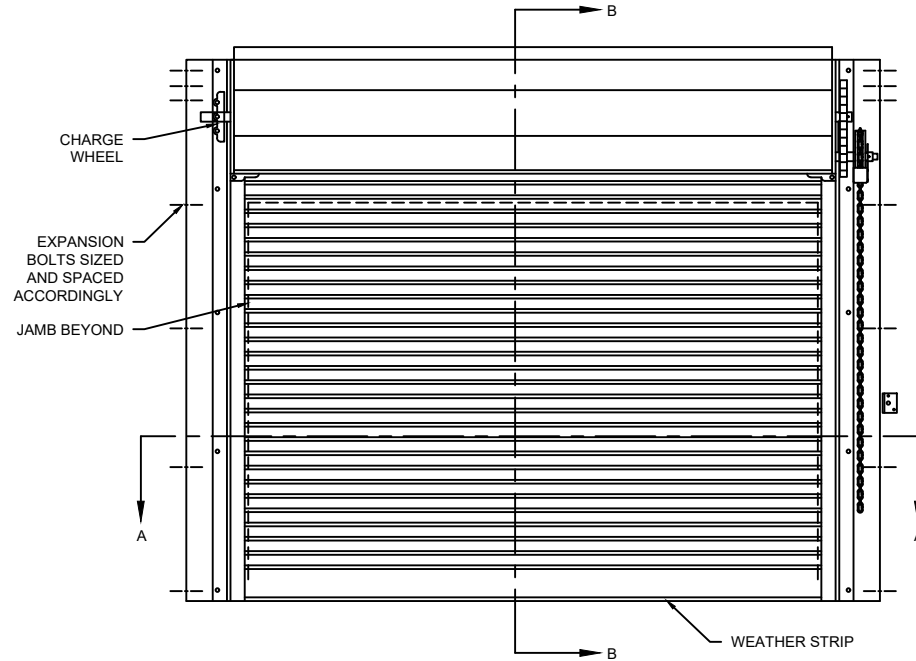
Z GUIDE DETAIL



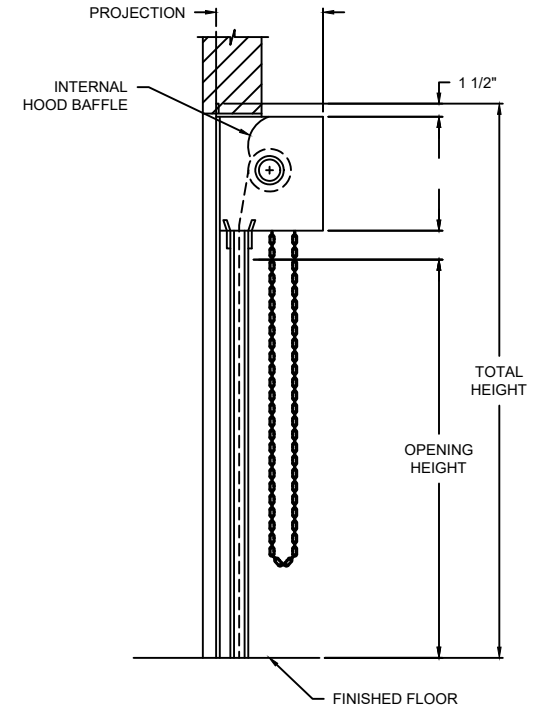
F TUBE DETAIL



F-265I SLAT SECTION

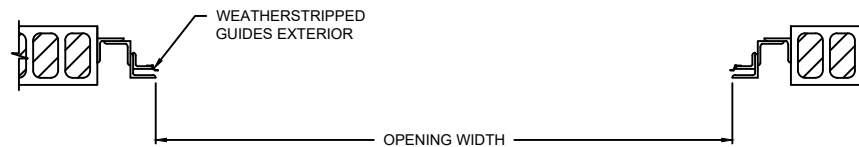


ELEVATION



SECTION B-B

PROJECTION	
MIN.	MAX.
12" X 14"	32" X 34"



SECTION A-A

**OPTIONS**

OPENING WIDTH	
OPENING HEIGHT	
HOOD OPTIONS	<input type="checkbox"/> OCTAGON <input type="checkbox"/> ROUND
GUIDE TYPE OPTIONS	<input type="checkbox"/> F TUBES <input type="checkbox"/> Z GUIDES
CHAIN HOIST COVER	<input type="checkbox"/> WITH <input type="checkbox"/> WITHOUT

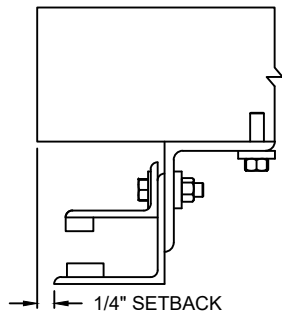
COMPONENT	MATERIAL	OPERATION	NOTES:
HOOD	24 GA. GALVANIZED STEEL	CHAIN HOIST RH	WIND LOAD: 20 PSF
CURTAIN	24 GA. GALVANIZED STEEL		
GUIDES	STEEL ANGLES		
BOTTOM BAR	STEEL ANGLES		

**STORMTITE™**

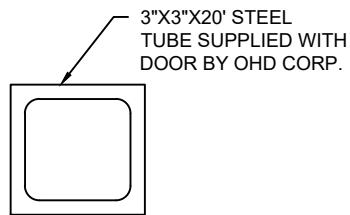
625 INSULATED HEAVY-DUTY ROLLING DOORS - BETWEEN JAMBS

DWG. NO.	DATE:	
SHEET	BY:	

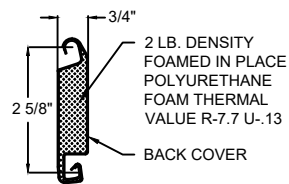
MODEL	STANDARD MAX. VALUES	
	WIDTH	HEIGHT
625	30' 4"	28' 4"



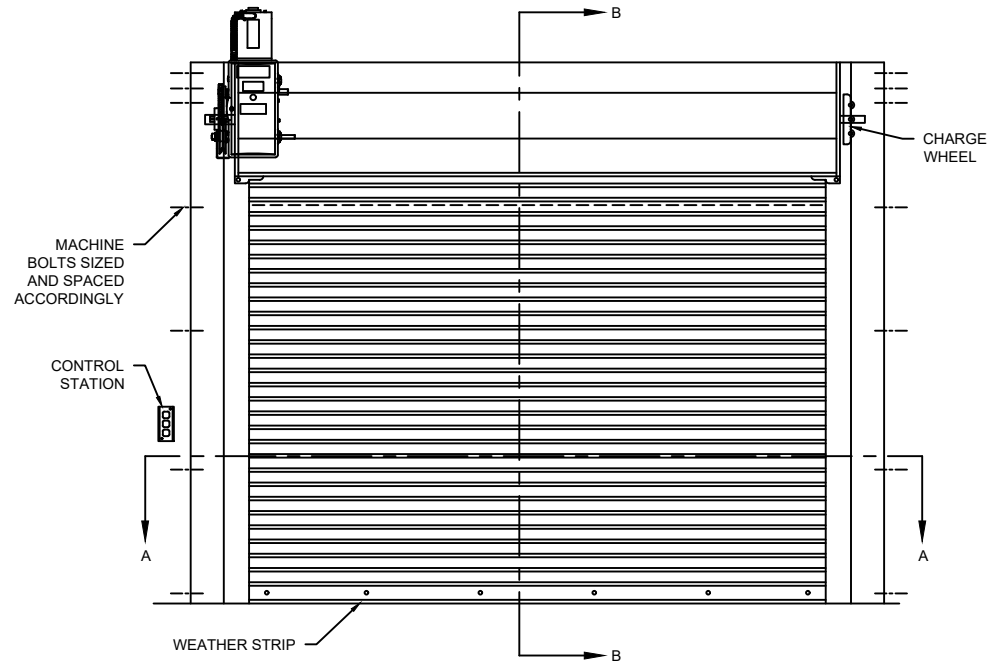
Z GUIDE DETAIL



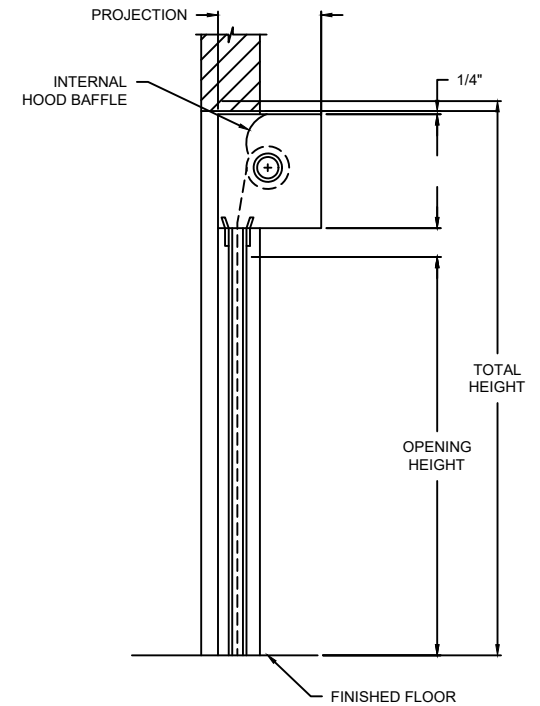
F TUBE DETAIL



F-265I SLAT SECTION

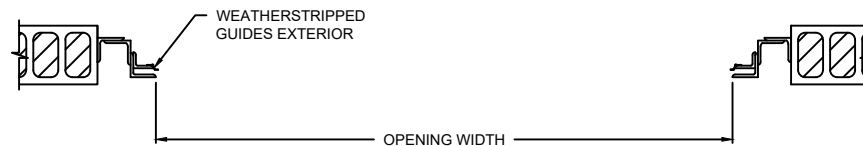


ELEVATION



SECTION B-B

PROJECTION	
MIN.	MAX.
12" X 14"	32" X 34"



SECTION A-A

**OPTIONS**

OPENING WIDTH	
OPENING HEIGHT	
HOOD OPTIONS	<input type="checkbox"/> OCTAGON <input type="checkbox"/> ROUND
GUIDE TYPE OPTIONS	<input type="checkbox"/> F TUBES <input type="checkbox"/> Z GUIDES

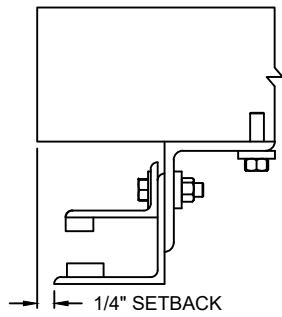
COMPONENT	MATERIAL	OPERATION	NOTES:
HOOD	24 GA. GALVANIZED STEEL	RXH LH FOH	WIND LOAD: 20 PSF
CURTAIN	24 GA. GALVANIZED STEEL		
GUIDES	STEEL ANGLES		
BOTTOM BAR	STEEL ANGLES		

**STORMTITE™**

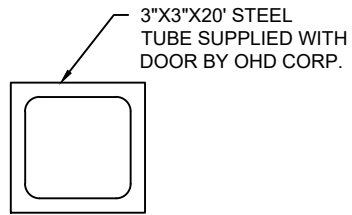
625 INSULATED HEAVY-DUTY ROLLING DOORS - BETWEEN JAMBS

DWG. NO.	DATE:	
SHEET	BY:	

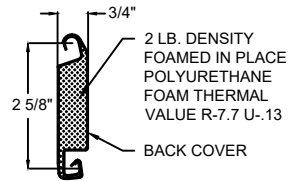
MODEL	STANDARD MAX. VALUES	
	WIDTH	HEIGHT
625	30' 4"	28' 4"



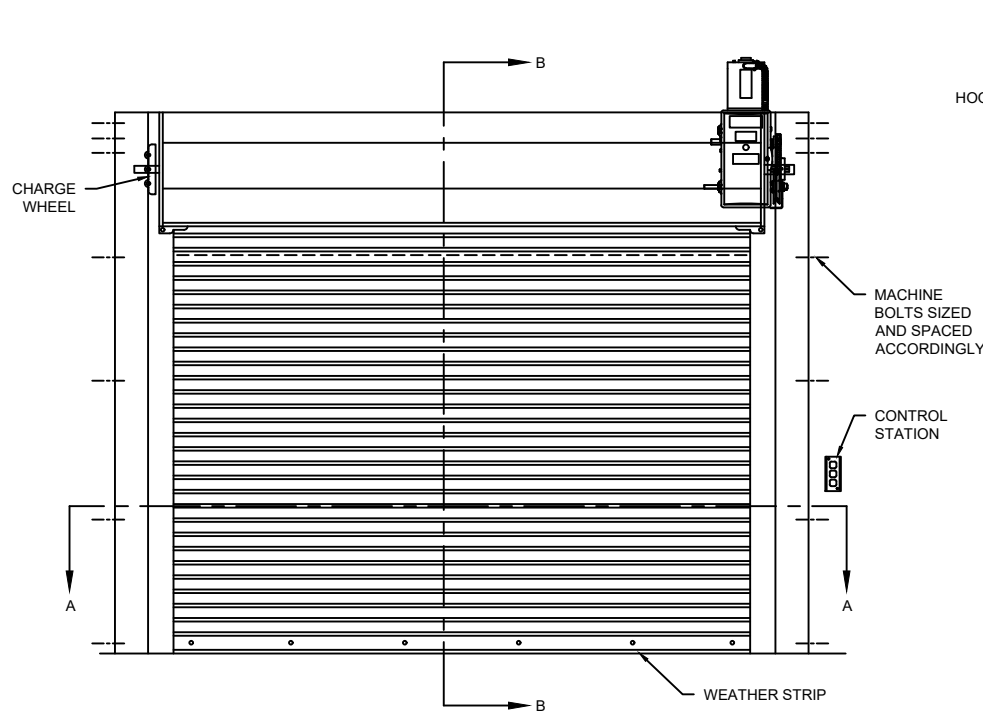
Z GUIDE DETAIL



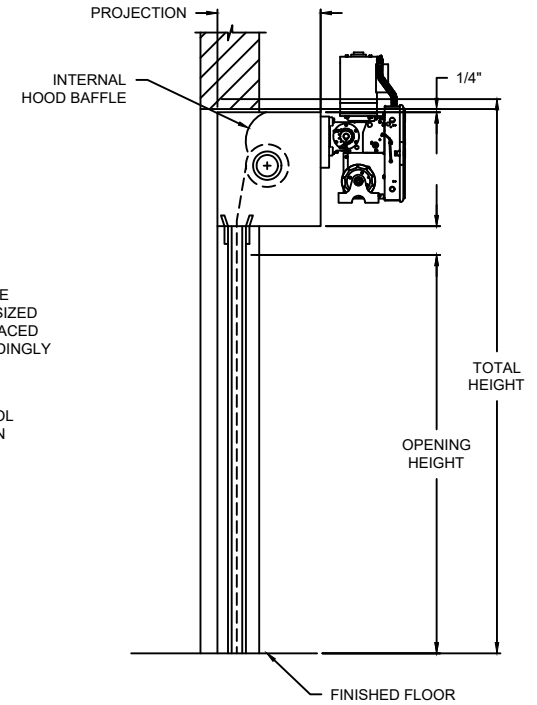
F TUBE DETAIL



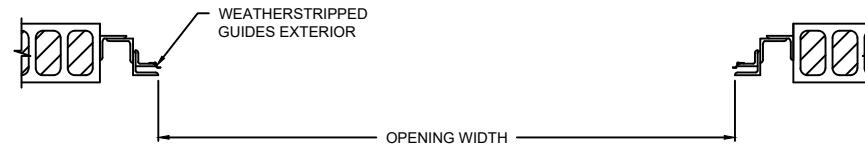
F-265I SLAT SECTION



ELEVATION



SECTION B-B



SECTION A-A

PROJECTION	
MIN.	MAX.
12" X 14"	32" X 34"

**OPTIONS**

OPENING WIDTH	
OPENING HEIGHT	
HOOD OPTIONS	<input type="checkbox"/> OCTAGON <input type="checkbox"/> ROUND
GUIDE TYPE OPTIONS	<input type="checkbox"/> F TUBES <input type="checkbox"/> Z GUIDES

COMPONENT	MATERIAL	OPERATION	NOTES:
HOOD	24 GA. GALVANIZED STEEL	RXH RH FOH	WIND LOAD: 20 PSF
CURTAIN	24 GA. GALVANIZED STEEL		
GUIDES	STEEL ANGLES		
BOTTOM BAR	STEEL ANGLES		

# STORMTITE™

625 INSULATED HEAVY-DUTY ROLLING DOORS - BETWEEN JAMBS

DWG. NO.	DATE:	
SHEET	BY:	