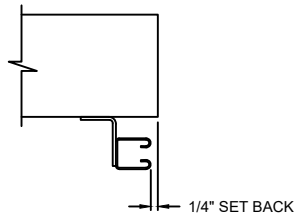
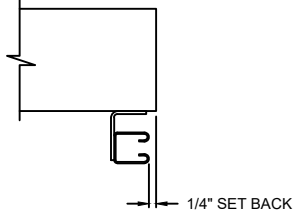


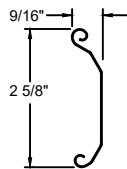
MODEL	STANDARD MAX. VALUES	
	WIDTH	HEIGHT
600	16'	16'



Z GUIDE DETAIL



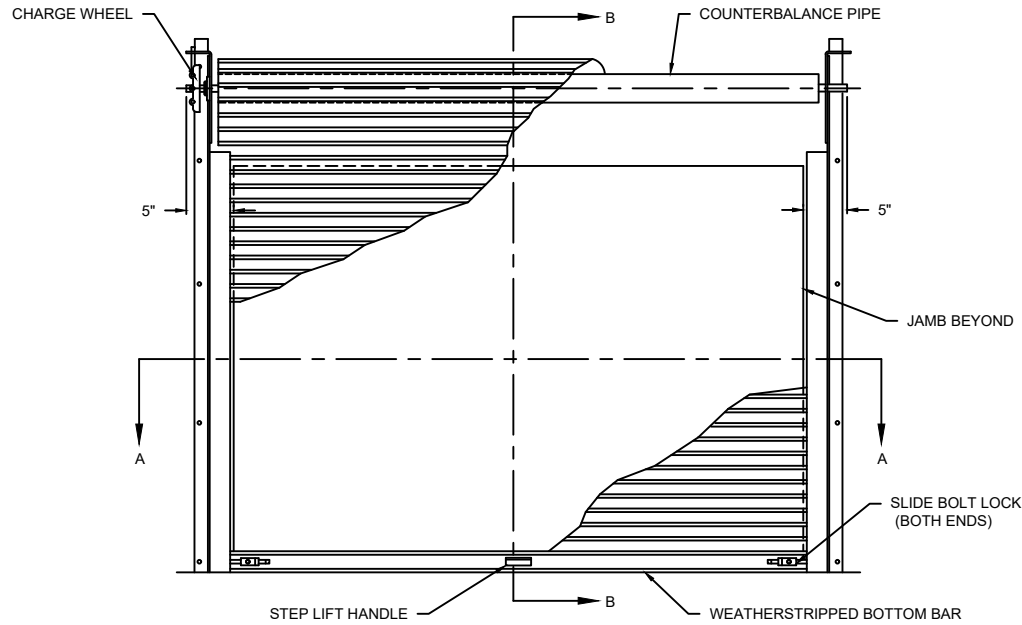
E GUIDE DETAIL



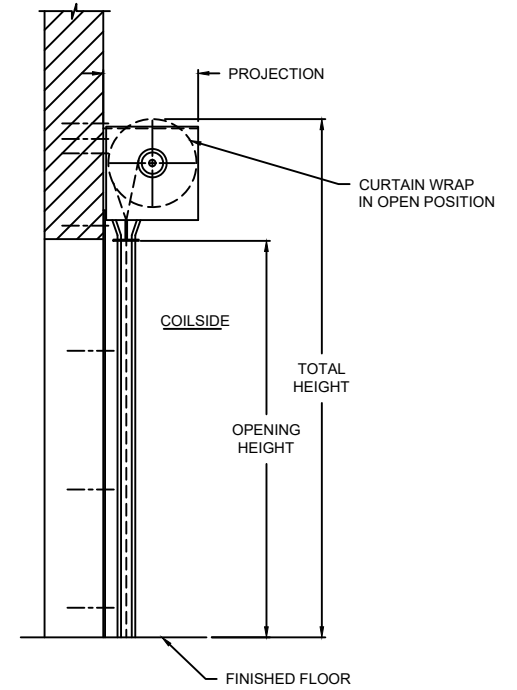
CAW SLAT SECTION

OPTIONS

OPENING WIDTH	
OPENING HEIGHT	
GUIDE TYPE OPTIONS	<input type="checkbox"/> E GUIDES <input type="checkbox"/> Z GUIDES



ELEVATION



SECTION B-B

PROJECTION	
MIN.	MAX.
13" X 15"	15" X 18"



SECTION A-A

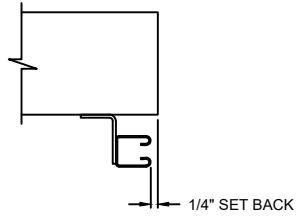
COIL-AWAY™

600 LIGHT-DUTY ROLLING STEEL SERVICE DOORS

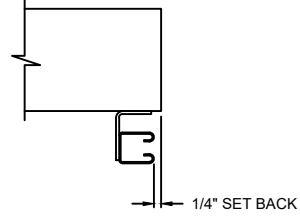
COMPONENT	MATERIAL	OPERATION	NOTES:
CURTAIN	GA. GALVANIZED STEEL	PUSH UP	WARRANTY: 24-MONTH LIMITED ON DOOR
GUIDES	COLD ROLL-FORMED CHANNEL/ANGLE		
BOTTOM BAR	EXTRUDED ALUMINUM		

DWG. NO.	DATE:	
SHEET	BY:	

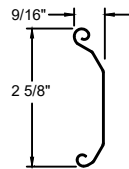
MODEL	STANDARD MAX. VALUES	
	WIDTH	HEIGHT
600	16'	16'



Z GUIDE DETAIL



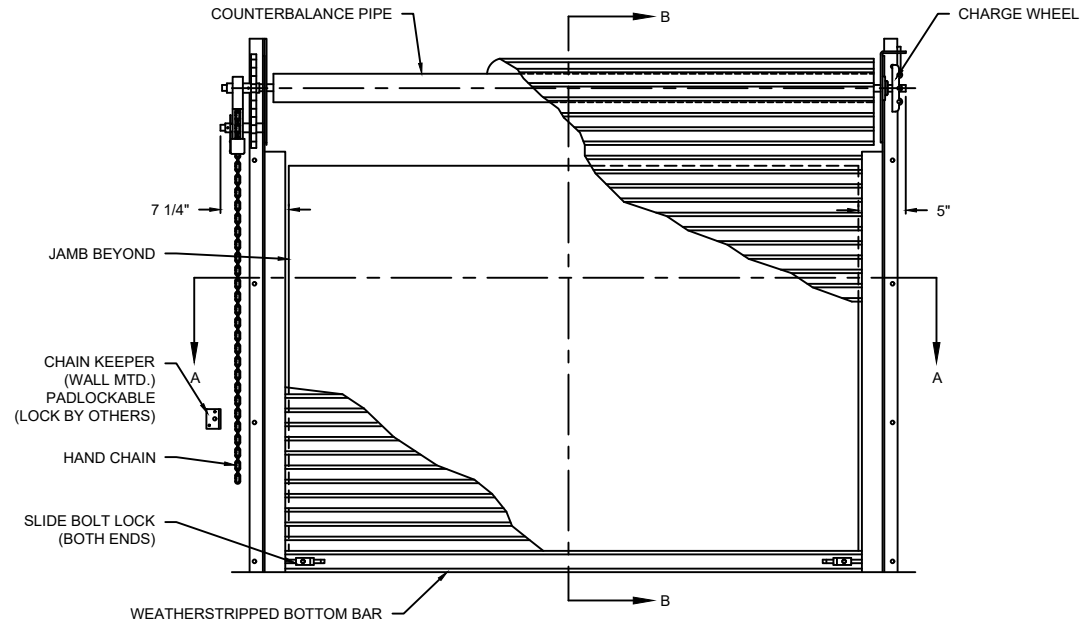
E GUIDE DETAIL



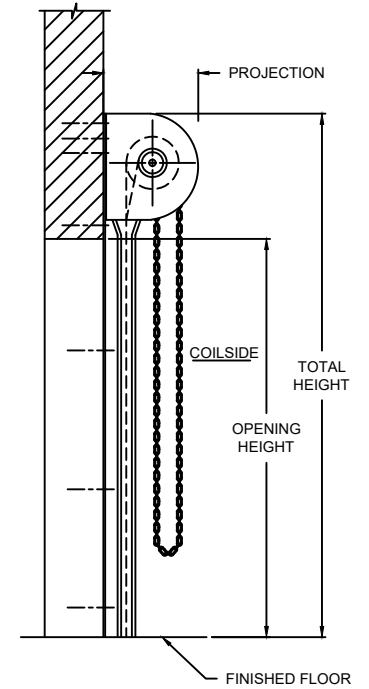
CAW SLAT SECTION

OPTIONS

OPENING WIDTH	
OPENING HEIGHT	
GUIDE TYPE OPTIONS	<input type="checkbox"/> E GUIDES <input type="checkbox"/> Z GUIDES



ELEVATION



SECTION B-B

PROJECTION	
MIN.	MAX.
13" X 15"	15" X 18"



SECTION A-A

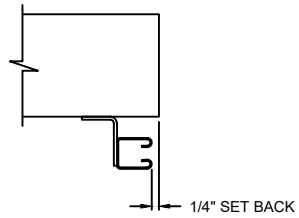
COMPONENT	MATERIAL	OPERATION	NOTES:
CURTAIN	GA. GALVANIZED STEEL	CHAIN HOIST LH	WARRANTY: 24-MONTH LIMITED ON DOOR
GUIDES	COLD ROLL-FORMED CHANNEL/ANGLE		
BOTTOM BAR	EXTRUDED ALUMINUM		

COIL-AWAY™

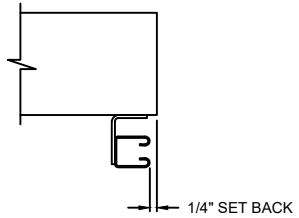
600 LIGHT-DUTY ROLLING STEEL SERVICE DOORS

DWG. NO.	DATE:	
SHEET	BY:	

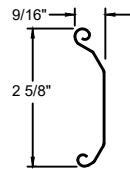
MODEL	STANDARD MAX. VALUES	
	WIDTH	HEIGHT
600	16'	16'



Z GUIDE DETAIL



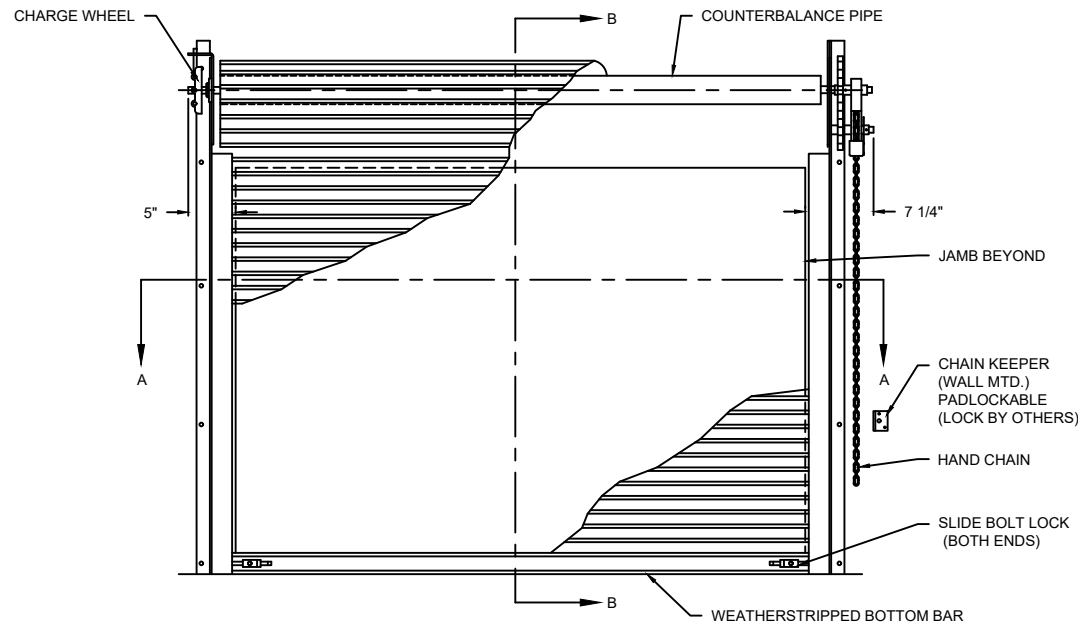
E GUIDE DETAIL



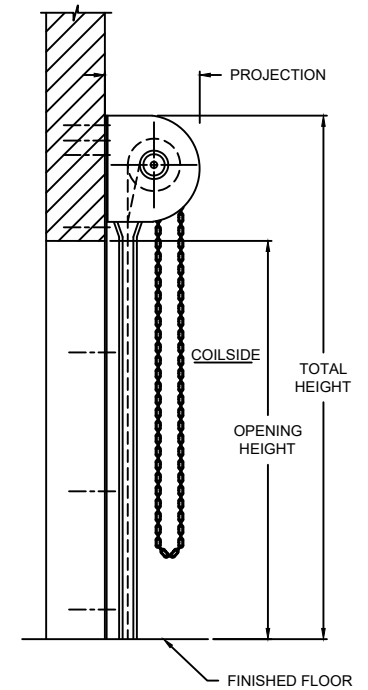
CAW SLAT SECTION

OPTIONS

OPENING WIDTH	
OPENING HEIGHT	
GUIDE TYPE OPTIONS	<input type="checkbox"/> E GUIDES <input type="checkbox"/> Z GUIDES



ELEVATION



SECTION B-B

PROJECTION	
MIN.	MAX.
13" X 15"	15" X 18"



SECTION A-A

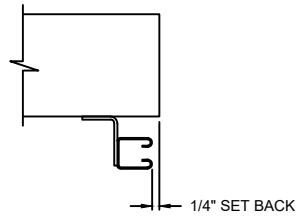
COIL-AWAY™

600 LIGHT-DUTY ROLLING STEEL SERVICE DOORS

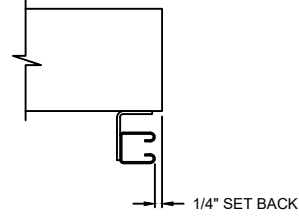
COMPONENT	MATERIAL	OPERATION	NOTES:
CURTAIN	GA. GALVANIZED STEEL	CHAIN HOIST RH	WARRANTY: 24-MONTH LIMITED ON DOOR
GUIDES	COLD ROLL-FORMED CHANNEL/ANGLE		
BOTTOM BAR	EXTRUDED ALUMINUM		

DWG. NO.	DATE:	
SHEET	BY:	

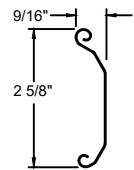
MODEL	STANDARD MAX. VALUES	
	WIDTH	HEIGHT
600	16'	16'



Z GUIDE DETAIL



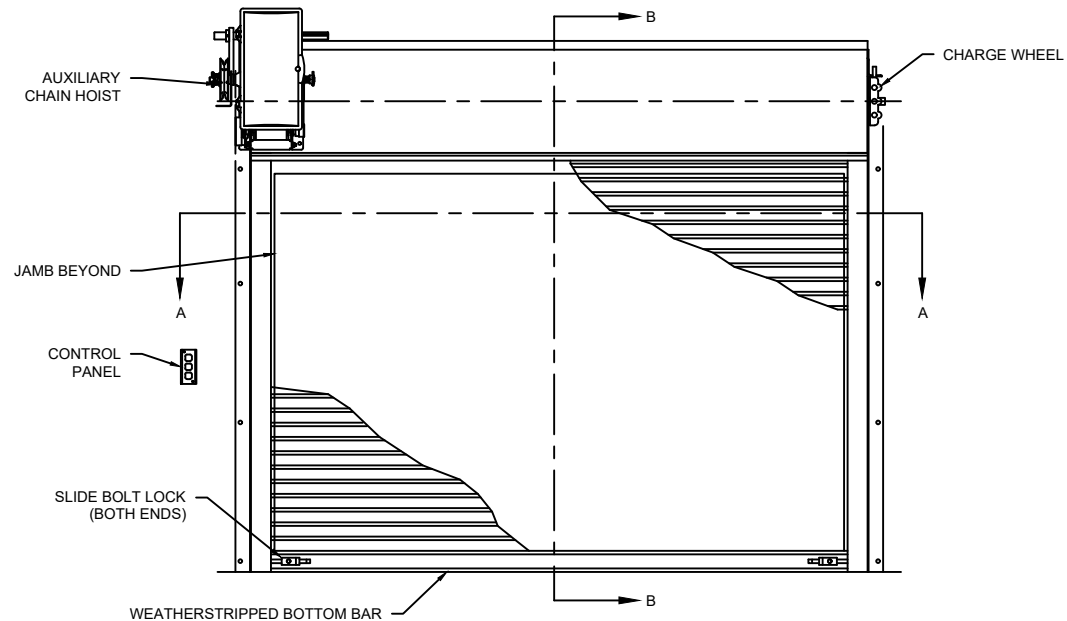
E GUIDE DETAIL



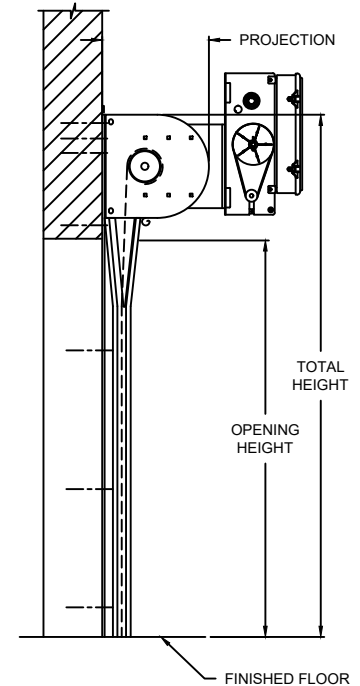
CAW SLAT SECTION

OPTIONS

OPENING WIDTH	
OPENING HEIGHT	
GUIDE TYPE OPTIONS	<input type="checkbox"/> E GUIDES <input type="checkbox"/> Z GUIDES



ELEVATION



SECTION B-B

PROJECTION	
MIN.	MAX.
13" X 15"	15" X 18"



SECTION A-A

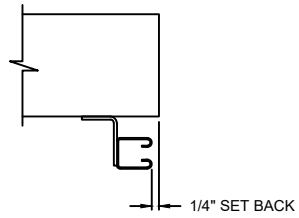
COMPONENT	MATERIAL	OPERATION	NOTES:
HOOD	GA. GALVANIZED STEEL	RMX RH FOH	WARRANTY: 24-MONTH LIMITED ON DOOR
CURTAIN	GA. GALVANIZED STEEL		
GUIDES	COLD ROLL-FORMED CHANNEL/ANGLE		
BOTTOM BAR	EXTRUDED ALUMINUM		

COIL-AWAY™

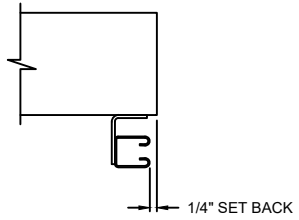
600 LIGHT-DUTY ROLLING STEEL SERVICE DOORS

DWG. NO.	DATE:	The Genuine. The Original.
SHEET	BY:	

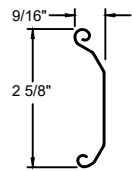
MODEL	STANDARD MAX. VALUES	
	WIDTH	HEIGHT
600	16'	16'



Z GUIDE DETAIL



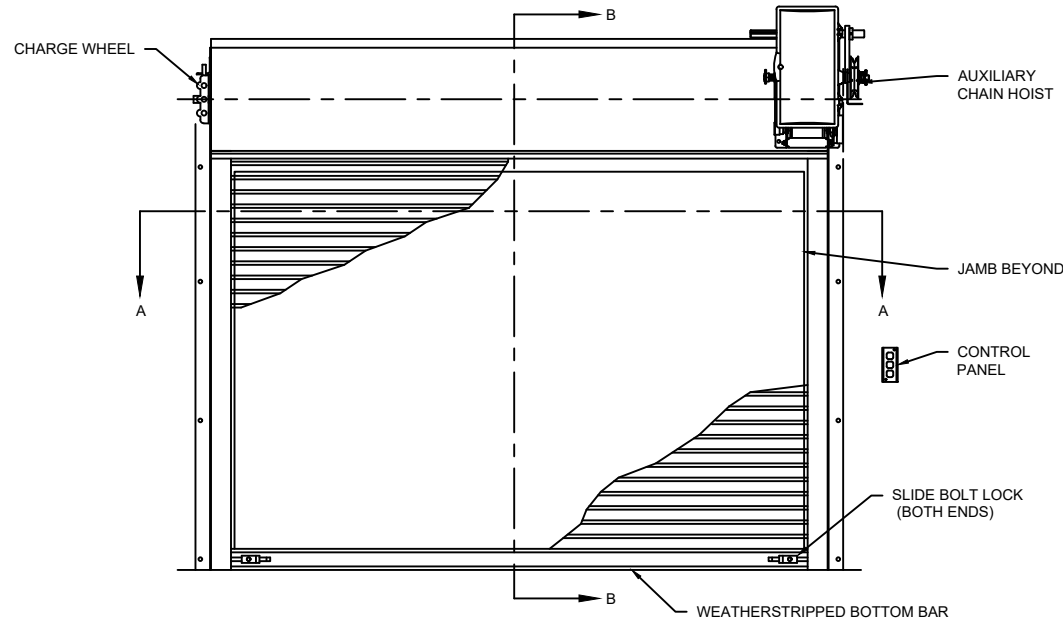
E GUIDE DETAIL



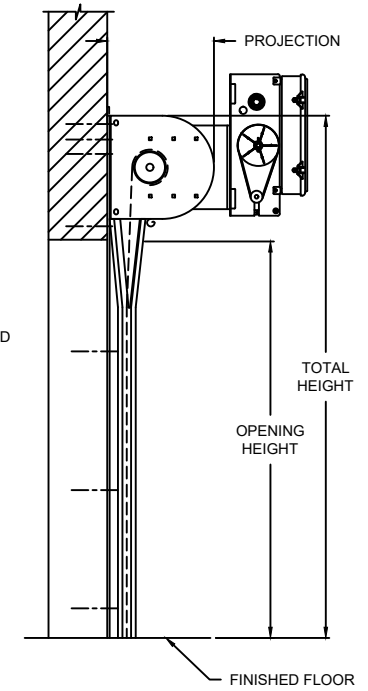
CAW SLAT SECTION

OPTIONS

OPENING WIDTH	
OPENING HEIGHT	
GUIDE TYPE OPTIONS	<input type="checkbox"/> E GUIDES <input type="checkbox"/> Z GUIDES



ELEVATION



SECTION B-B

PROJECTION	
MIN.	MAX.
13" X 15"	15" X 18"



SECTION A-A

COMPONENT	MATERIAL	OPERATION	NOTES:
HOOD	GA. GALVANIZED STEEL	RMX RH FOH	WARRANTY: 24-MONTH LIMITED ON DOOR
CURTAIN	GA. GALVANIZED STEEL		
GUIDES	COLD ROLL-FORMED CHANNEL/ANGLE		
BOTTOM BAR	EXTRUDED ALUMINUM		

COIL-AWAY™

600 LIGHT-DUTY ROLLING STEEL SERVICE DOORS

DWG. NO.	DATE:	
SHEET	BY:	