

GUIDE HEATER TRANSFORMER DETAIL

MODEL	STANDARD MAX. VALUES	
	WIDTH	HEIGHT
997	12'	18'

OPTIONS

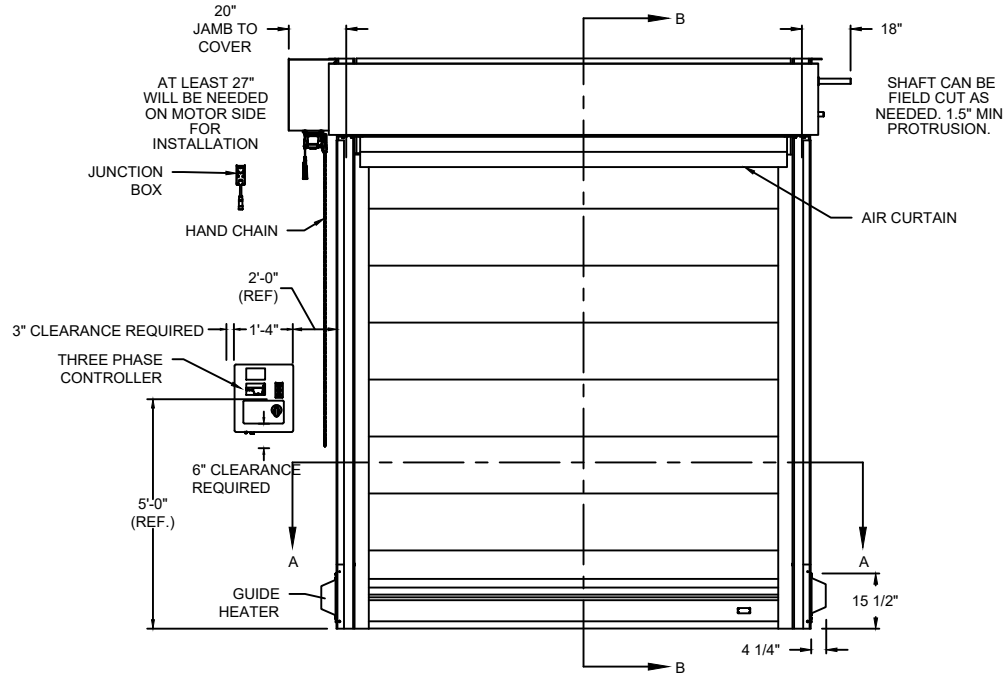
OPENING WIDTH*

OPENING HEIGHT*

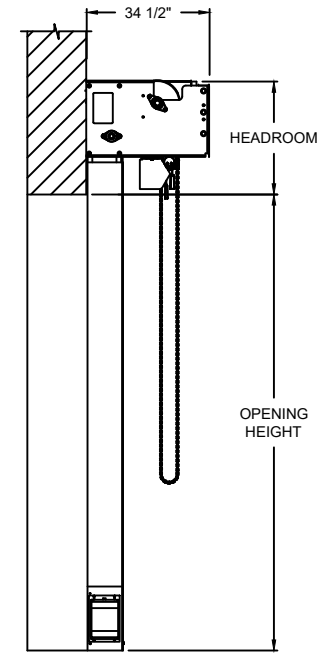
AIR CURTAIN OPTIONS WITH WITHOUT

HEADROOM REQUIRED

DOOR HEIGHT	AIR CURTAIN	HEADROOM
DOOR HEIGHT ≤ 8'	WITH AIR CURTAIN	36"
DOOR HEIGHT > 8'	WITH AIR CURTAIN	42"
ANY	W/O AIR CURTAIN	36"

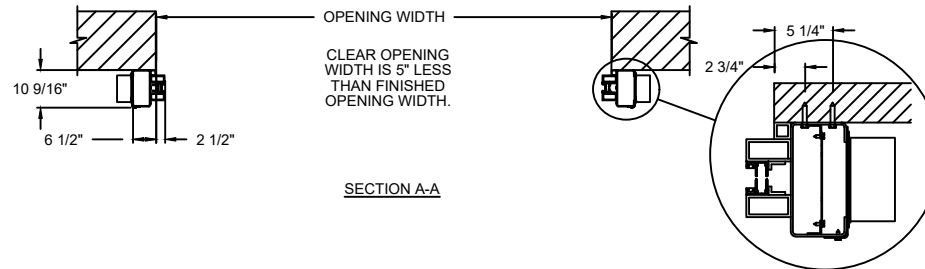


ELEVATION



SECTION B-B

ADDITIONAL HEADROOM WILL BE NEEDED. THE AMOUNT WILL VARY BASED ON THE LIFTING EQUIPMENT USED TO PUT THE HEADER IN PLACE.



SECTION A-A

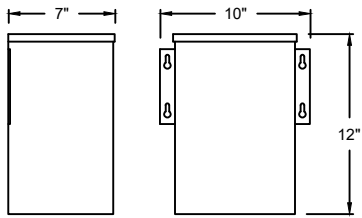
DETAIL JAMB

COMPONENT	MATERIAL	OPERATION	NOTES:
FASCIA	22 GA. STEEL	MOTOR LH	1. WINDLOAD UP TO 2.0 PSF * PLEASE REFER TO WALL GUIDE FOR COMPLETE LIST OF BUILDING SPECIFICATIONS
CURTAIN	INSULATED VINYL		
GUIDES	HIGH STRENGTH STEEL AND FIBERGLASS COMPOSITE		
BOTTOM BAR	COMPOSITE		

RAPIDFREEZE™

997 INTERIOR HIGH SPEED FREEZER AND COOLER DOOR

DWG. NO.	DATE:	The Genuine. The Original. OVERHEAD DOOR
SHEET	BY:	

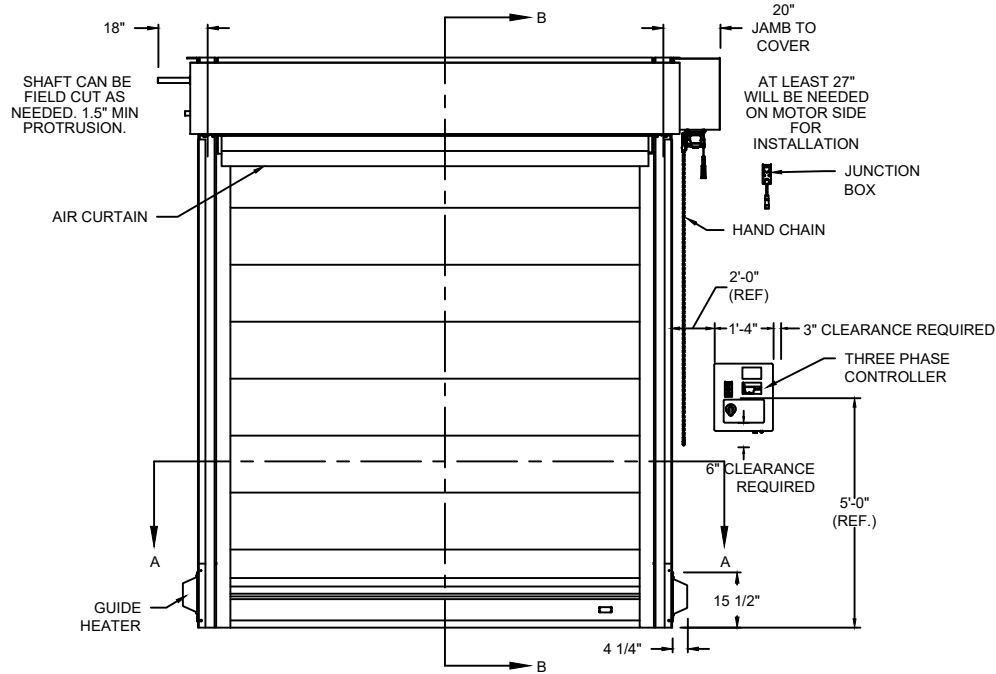


GUIDE HEATER TRANSFORMER DETAIL

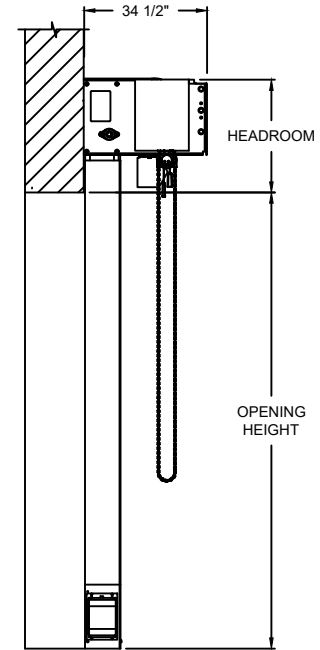
MODEL	STANDARD MAX. VALUES	
	WIDTH	HEIGHT
997	12'	18'

OPTIONS

OPENING WIDTH*		
OPENING HEIGHT*		
AIR CURTAIN OPTIONS	<input type="checkbox"/> WITH <input type="checkbox"/> WITHOUT	
HEADROOM REQUIRED		
DOOR HEIGHT	AIR CURTAIN	HEADROOM
DOOR HEIGHT ≤ 8'	WITH AIR CURTAIN	36"
DOOR HEIGHT > 8'	WITH AIR CURTAIN	42"
ANY	W/O AIR CURTAIN	36"

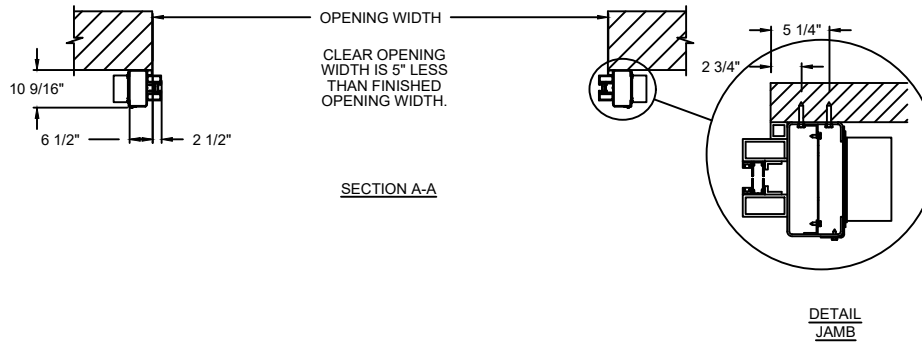


ELEVATION



SECTION B-B

ADDITIONAL HEADROOM WILL BE NEEDED. THE AMOUNT WILL VARY BASED ON THE LIFTING EQUIPMENT USED TO PUT THE HEADER IN PLACE.



SECTION A-A

DETAIL JAMB

COMPONENT	MATERIAL	OPERATION	NOTES:
FASCIA	22 GA. STEEL	MOTOR RH	1. WINDLOAD UP TO 2.0 PSF * PLEASE REFER TO WALL GUIDE FOR COMPLETE LIST OF BUILDING SPECIFICATIONS
CURTAIN	INSULATED VINYL		
GUIDES	HIGH STRENGTH STEEL AND FIBERGLASS COMPOSITE		
BOTTOM BAR	COMPOSITE		

RAPIDFREEZE™

997 INTERIOR HIGH SPEED FREEZER AND COOLER DOOR

DWG. NO.	DATE:	The Genuine. The Original. OVERHEAD DOOR
SHEET	BY:	

ELECTRICAL SERVICE REQUIREMENTS

230V-240V AMBIENT AIR CURTAIN DISCONNECT (FOR CIRCUIT THAT SUPPORTS ALL THE ELECTRICAL FOR THE COMPLETE SYSTEM)				
WIDTH	HEIGHT			
	5'-0" - 8'-5"	8'-6" - 12'-5"	12'-6" - 15'-5"	15'-6" - 18'-0"
5'-0"	40A	40A	40A	40A
6'-0"	40A	40A	40A	40A
7'-0"	40A	40A	40A	50A
8'-0"	40A	40A	40A	50A
9'-0"	40A	40A	40A	50A
10'-0"	40A	40A	40A	60A
11'-0"	40A	40A	40A	60A
12'-0"	40A	40A	40A	60A

*DOOR WITHOUT AIR CURTAIN IS 20A MINIMUM

460V-480V AMBIENT AIR CURTAIN DISCONNECT (FOR CIRCUIT THAT SUPPORTS ALL THE ELECTRICAL FOR THE COMPLETE SYSTEM)				
WIDTH	HEIGHT			
	5'-0" - 8'-5"	8'-6" - 12'-5"	12'-6" - 15'-5"	15'-6" - 18'-0"
5'-0"	30A			
6'-0"				
7'-0"				
8'-0"				
9'-0"				
10'-0"				
11'-0"				
12'-0"				

*DOOR WITHOUT AIR CURTAIN IS 15A MINIMUM

575V-600V AMBIENT AIR CURTAIN DISCONNECT (STEP DOWN TRANSFORMER REQUIRED FOR CONTROLLER AND SEPARATE POWER CIRCUIT FOR AIR CURTAIN)				
WIDTH	HEIGHT			
	5'-0" - 8'-5"	8'-6" - 12'-5"	12'-6" - 15'-5"	15'-6" - 18'-0"
5'-0"	15A			
6'-0"				
7'-0"				
8'-0"				
9'-0"				
10'-0"				
11'-0"				
12'-0"				

*DOOR WITHOUT AIR CURTAIN IS 20A MINIMUM

230V-240V HEATED AIR CURTAIN DISCONNECT				
WIDTH	HEIGHT			
	5'-0" - 8'-5"	8'-6" - 12'-5"	12'-6" - 15'-5"	15'-6" - 18'-0"
5'-0"	25A	35A	35A	60A
6'-0"	35A	35A	35A	60A
7'-0"	35A	60A	60A	60A
8'-0"	50A	60A	60A	60A
9'-0"	50A	60A	60A	60A
10'-0"	60A	60A	60A	
11'-0"	60A	460 SYSTEM IS NEEDED IN THIS AREA		
12'-0"	60A			

*CONTROLLER REQUIRES SEPARATE 20A MINIMUM

460V-480V HEATED AIR CURTAIN DISCONNECT				
WIDTH	HEIGHT			
	5'-0" - 8'-5"	8'-6" - 12'-5"	12'-6" - 15'-5"	15'-6" - 18'-0"
5'-0"	15A	20A	20A	25A
6'-0"	20A	20A	20A	25A
7'-0"	20A	30A	35A	50A
8'-0"	25A	35A	35A	50A
9'-0"	25A	35A	35A	50A
10'-0"	35A	45A	50A	60A
11'-0"	35A	50A	50A	60A
12'-0"	35A	50A	50A	60A


*CONTROLLER REQUIRES SEPARATE 15A MINIMUM

575V-600V HEATED AIR CURTAIN DISCONNECT				
WIDTH	HEIGHT			
	5'-0" - 8'-5"	8'-6" - 12'-5"	12'-6" - 15'-5"	15'-6" - 18'-0"
5'-0"	15A	15A	15A	25A
6'-0"	20A	15A	15A	25A
7'-0"	20A	25A	30A	40A
8'-0"	30A	30A	30A	40A
9'-0"	30A	30A	30A	40A
10'-0"	40A	35A	40A	60A
11'-0"	40A	40A	40A	60A
12'-0"	40A	40A	40A	60A

*CONTROLLER REQUIRES SEPARATE 15A MINIMUM

RAPIDFREEZE™

997 INTERIOR HIGH SPEED FREEZER AND COOLER DOOR

DWG. NO.	DATE:	The Genuine. The Original. 
SHEET	BY:	