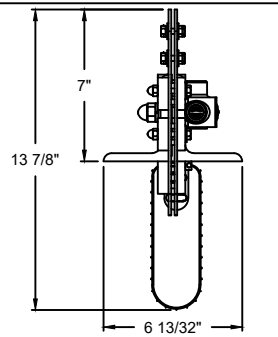
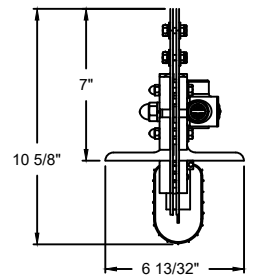


MODEL	STANDARD MAX. VALUES	
	WIDTH	HEIGHT
995	30'	30'



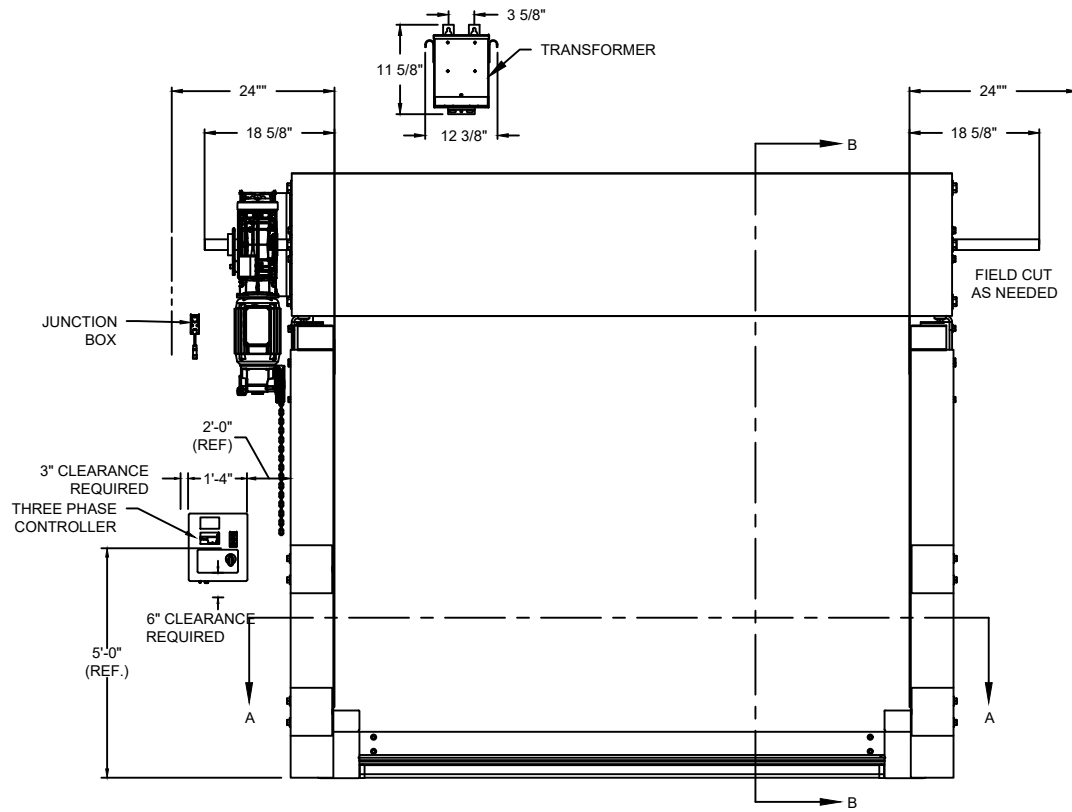
LARGE BOTTOM BAR DETAIL



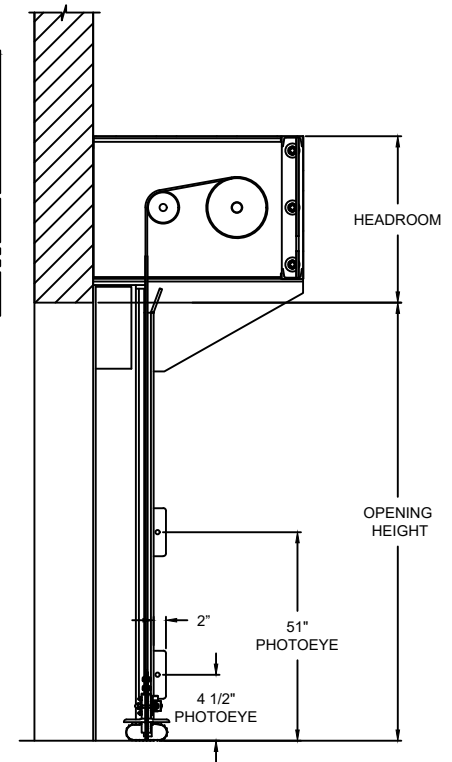
SMALL BOTTOM BAR DETAIL

OPTIONS

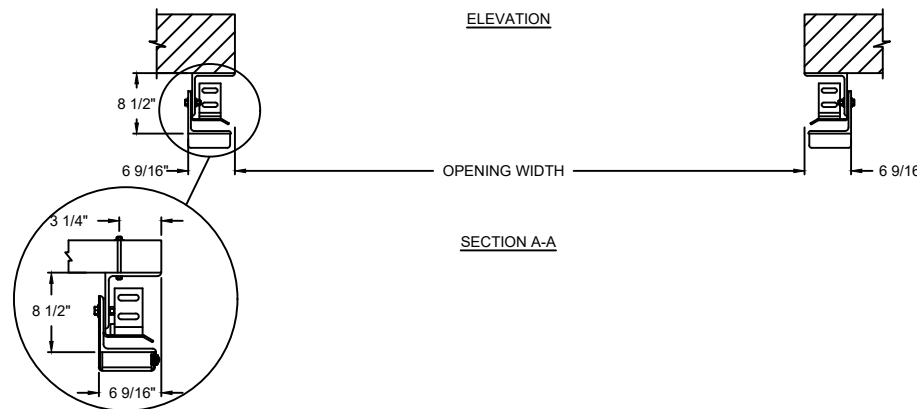
OPENING WIDTH*	
OPENING HEIGHT*	
WINDOW OPTIONS	<input type="checkbox"/> 20" H VISION
HOOD OPTIONS	<input type="checkbox"/> SLOPED <input type="checkbox"/> STANDARD
HOUSING OPTIONS	<input type="checkbox"/> WITH MOTOR HOUSING <input type="checkbox"/> WITHOUT MOTOR HOUSING
BOTTOM BAR OPTIONS	<input type="checkbox"/> SMALL <input type="checkbox"/> LARGE



ELEVATION



SECTION B-B



SECTION A-A

DETAIL
JAMB FASTENERS

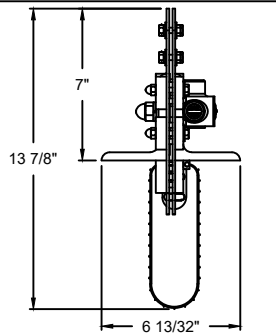
COMPONENT	MATERIAL	OPERATION	NOTES:
HOOD	22 GA. STEEL	MOTOR LH 208V 3-PHASE VIA TRANSFORMER (190-270V RANGE)	1. WINDLOAD 27 P.S.F ULTIMATE @ 19' WIDE * PLEASE REFER TO WALL GUIDE FOR COMPLETE LIST OF BUILDING SPECIFICATIONS
CURTAIN	LAYERS OF NBR RUBBER WITH 2 LAYERS POLYESTER WEAVE		
GUIDES	HIGH STRENGTH STEEL		
BOTTOM BAR	HIGH STRENGTH STEEL DOUBLE ANGLE		

RAPIDFLEX®

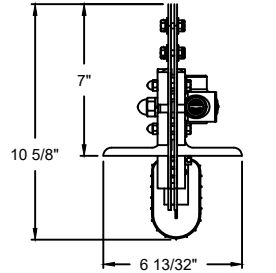
995 EXTREME EXTERIOR HIGH SPEED RUBBER DOOR WITH LOW HEADROOM HEADPLATE

DWG. NO.	DATE:	The Genuine. The Original. OVERHEAD DOOR
SHEET	BY:	

MODEL	STANDARD MAX. VALUES	
	WIDTH	HEIGHT
995	30'	30'



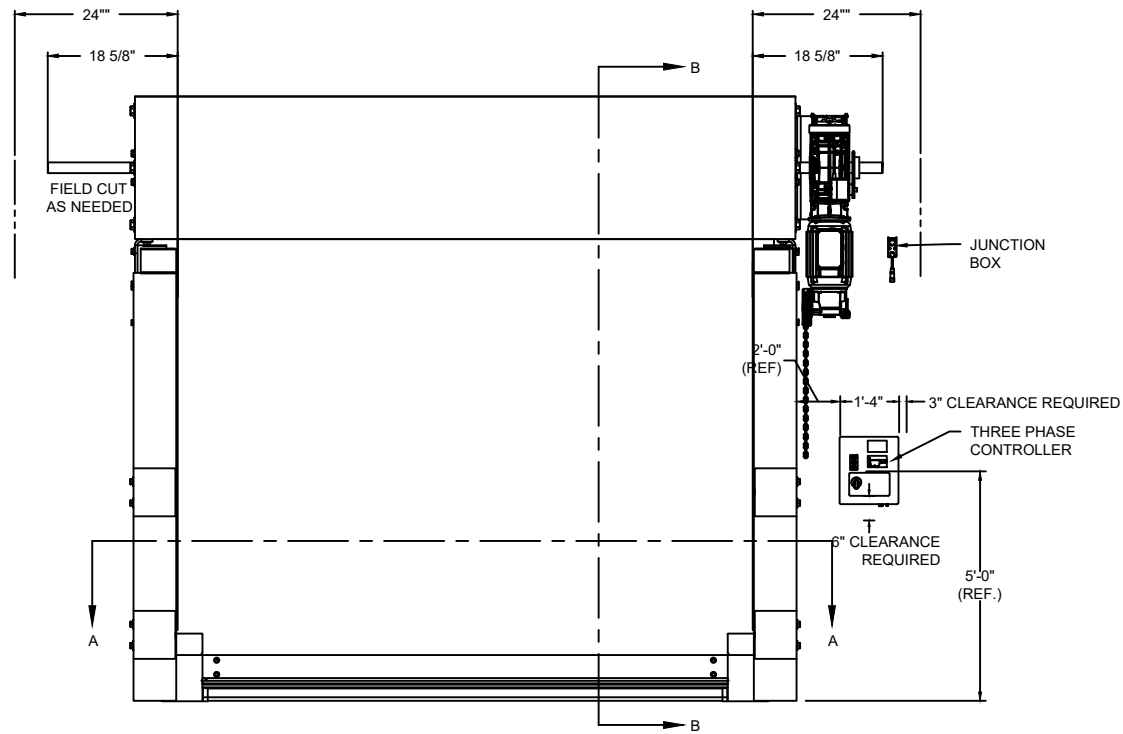
LARGE BOTTOM BAR DETAIL



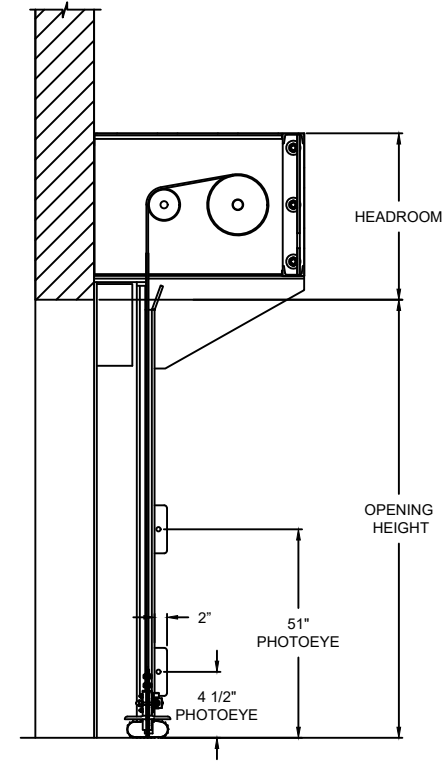
SMALL BOTTOM BAR DETAIL

OPTIONS

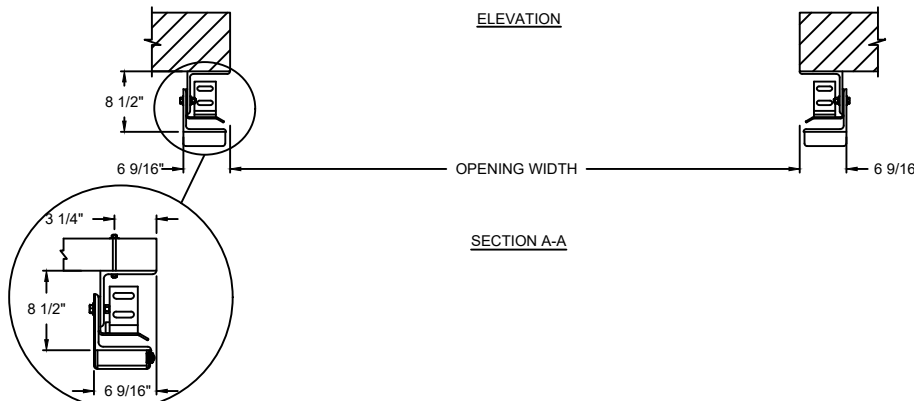
OPENING WIDTH*	
OPENING HEIGHT*	
WINDOW OPTIONS	<input type="checkbox"/> 20" H VISION
HOOD OPTIONS	<input type="checkbox"/> SLOPED <input type="checkbox"/> STANDARD
HOUSING OPTIONS	<input type="checkbox"/> WITH MOTOR HOUSING <input type="checkbox"/> WITHOUT MOTOR HOUSING
BOTTOM BAR OPTIONS	<input type="checkbox"/> SMALL <input type="checkbox"/> LARGE



ELEVATION



SECTION B-B



SECTION A-A

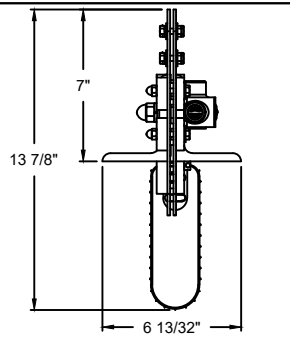
DETAIL
JAMB FASTENERS

COMPONENT	MATERIAL	OPERATION	NOTES:
HOOD	22 GA. STEEL	MOTOR RH 208V 3-PHASE VIA TRANSFORMER (190-270V RANGE)	1. WINDLOAD 27 P.S.F ULTIMATE @ 19' WIDE * PLEASE REFER TO WALL GUIDE FOR COMPLETE LIST OF BUILDING SPECIFICATIONS
CURTAIN	LAYERS OF NBR RUBBER WITH 2 LAYERS POLYESTER WEAVE		
GUIDES	HIGH STRENGTH STEEL		
BOTTOM BAR	HIGH STRENGTH STEEL DOUBLE ANGLE		

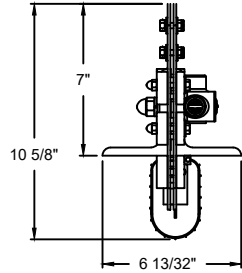
RAPIDFLEX®

995 EXTREME EXTERIOR HIGH SPEED RUBBER DOOR WITH LOW HEADROOM HEADPLATE

DWG. NO.	DATE:	The Genuine. The Original.
SHEET	BY:	

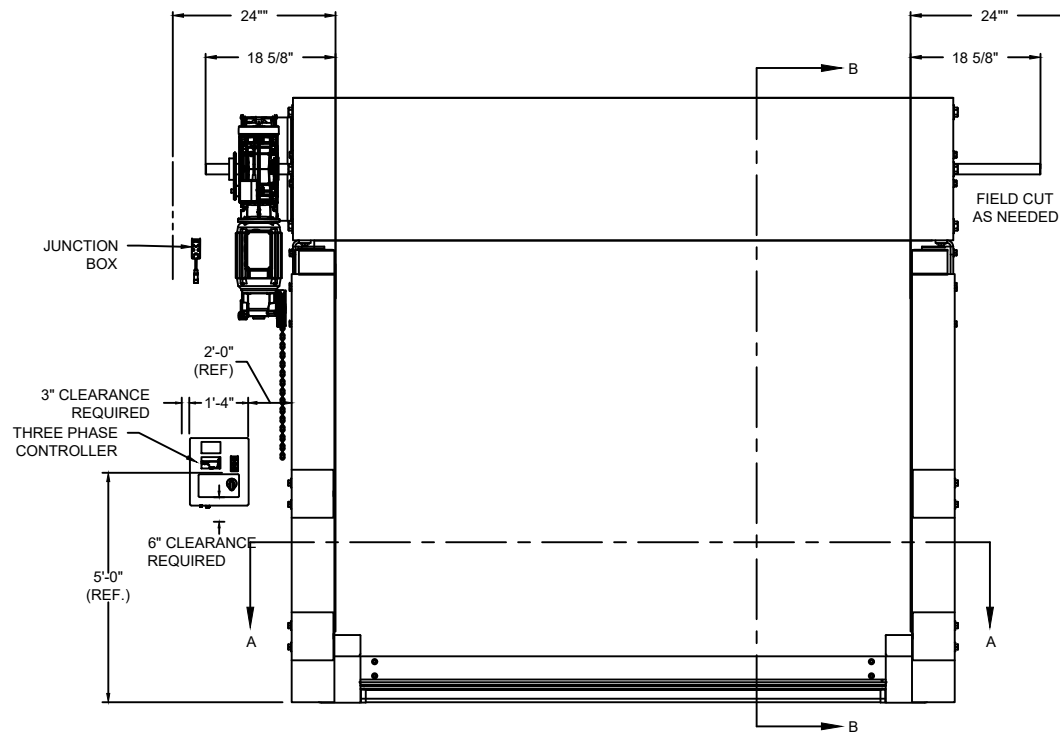


LARGE BOTTOM BAR DETAIL

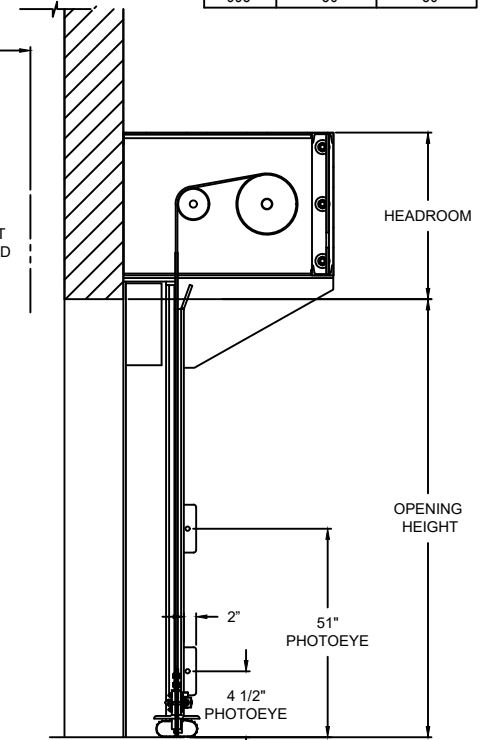


SMALL BOTTOM BAR DETAIL

MODEL	STANDARD MAX. VALUES	
	WIDTH	HEIGHT
995	30'	30'



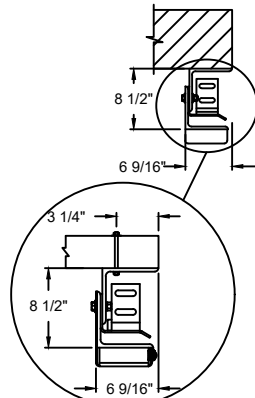
ELEVATION



SECTION B-B



SECTION A-A



DETAIL JAMB FASTENERS

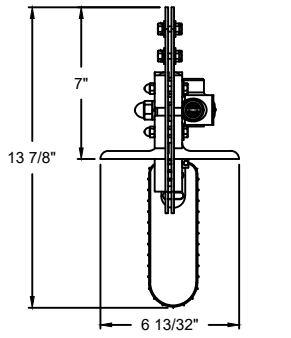
OPTIONS	
OPENING WIDTH*	
OPENING HEIGHT*	
WINDOW OPTIONS	<input type="checkbox"/> 20" H VISION
HOOD OPTIONS	<input type="checkbox"/> SLOPED <input type="checkbox"/> STANDARD
HOUSING OPTIONS	<input type="checkbox"/> WITH <input type="checkbox"/> WITHOUT
BOTTOM BAR OPTIONS	<input type="checkbox"/> SMALL <input type="checkbox"/> LARGE
VOLTS OPTIONS	<input type="checkbox"/> 230V 3-PHASE <input type="checkbox"/> 460V 3-PHASE

COMPONENT	MATERIAL	OPERATION	NOTES:
HOOD	22 GA. STEEL	MOTOR LH	1. WINDLOAD 27 P.S.F ULTIMATE @ 19' WIDE * PLEASE REFER TO WALL GUIDE FOR COMPLETE LIST OF BUILDING SPECIFICATIONS
CURTAIN	LAYERS OF NBR RUBBER WITH 2 LAYERS POLYESTER WEAVE		
GUIDES	HIGH STRENGTH STEEL		
BOTTOM BAR	HIGH STRENGTH STEEL DOUBLE ANGLE		

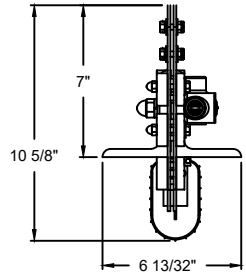
RAPIDFLEX®

995 EXTREME EXTERIOR HIGH SPEED RUBBER DOOR WITH LOW HEADROOM HEADPLATE

DWG. NO.	DATE:	The Genuine. The Original. OVERHEAD DOOR
SHEET	BY:	



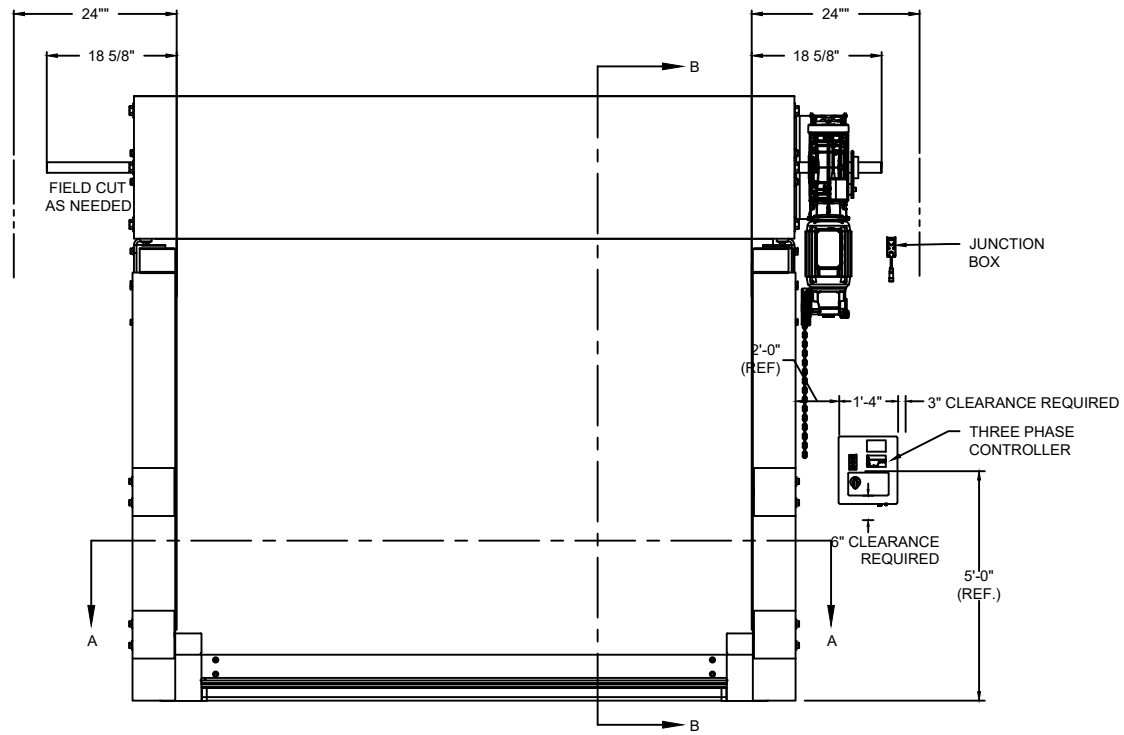
LARGE BOTTOM BAR DETAIL



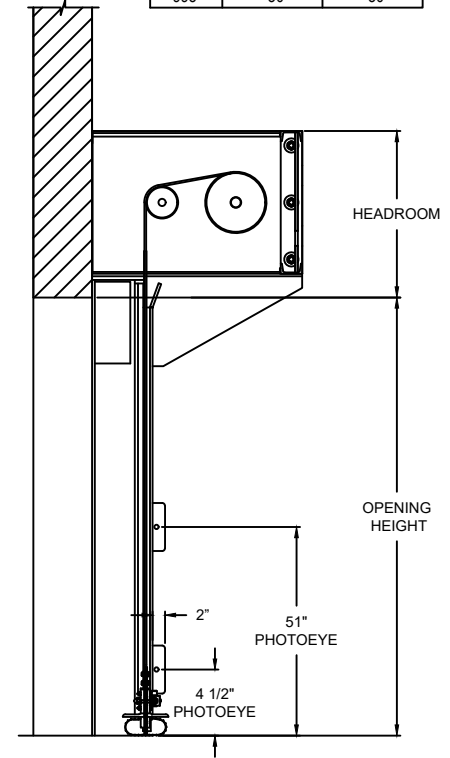
SMALL BOTTOM BAR DETAIL

OPTIONS

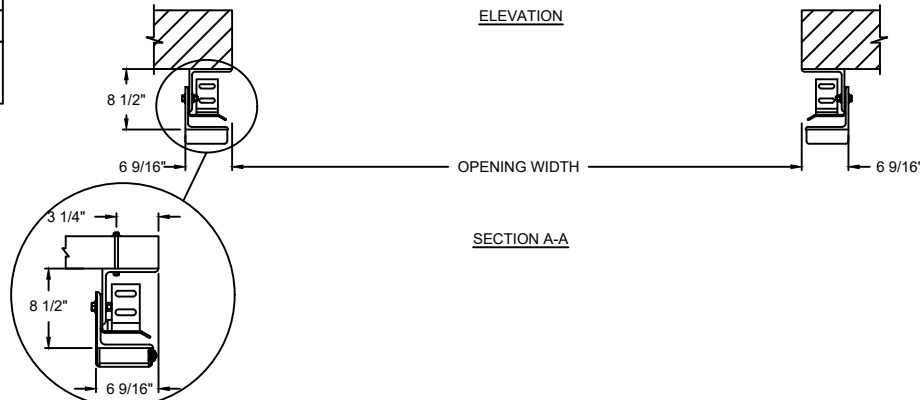
OPENING WIDTH*	
OPENING HEIGHT*	
WINDOW OPTIONS	<input type="checkbox"/> 20" H VISION
HOOD OPTIONS	<input type="checkbox"/> SLOPED <input type="checkbox"/> STANDARD
HOUSING OPTIONS	<input type="checkbox"/> WITH <input type="checkbox"/> WITHOUT
BOTTOM BAR OPTIONS	<input type="checkbox"/> SMALL <input type="checkbox"/> LARGE
VOLTS OPTIONS	<input type="checkbox"/> 230V 3-PHASE <input type="checkbox"/> 460V 3-PHASE



ELEVATION



SECTION B-B



SECTION A-A

DETAIL
JAMB FASTENERS

MODEL	STANDARD MAX. VALUES	
	WIDTH	HEIGHT
995	30'	30'

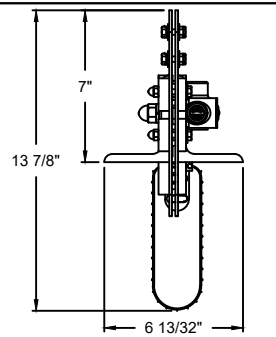
COMPONENT	MATERIAL	OPERATION	NOTES:
HOOD	22 GA. STEEL	MOTOR RH	1. WINDLOAD 27 P.S.F ULTIMATE @ 19' WIDE * PLEASE REFER TO WALL GUIDE FOR COMPLETE LIST OF BUILDING SPECIFICATIONS
CURTAIN	LAYERS OF NBR RUBBER WITH 2 LAYERS POLYESTER WEAVE		
GUIDES	HIGH STRENGTH STEEL		
BOTTOM BAR	HIGH STRENGTH STEEL DOUBLE ANGLE		

RAPIDFLEX®

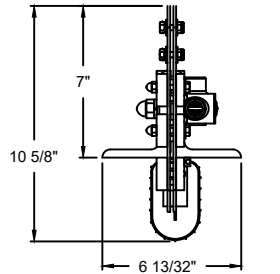
995 EXTREME EXTERIOR HIGH SPEED RUBBER DOOR WITH LOW HEADROOM HEADPLATE

DWG. NO.	DATE:	The Genuine. The Original. OVERHEAD DOOR
SHEET	BY:	

MODEL	STANDARD MAX. VALUES	
	WIDTH	HEIGHT
995	30'	30'



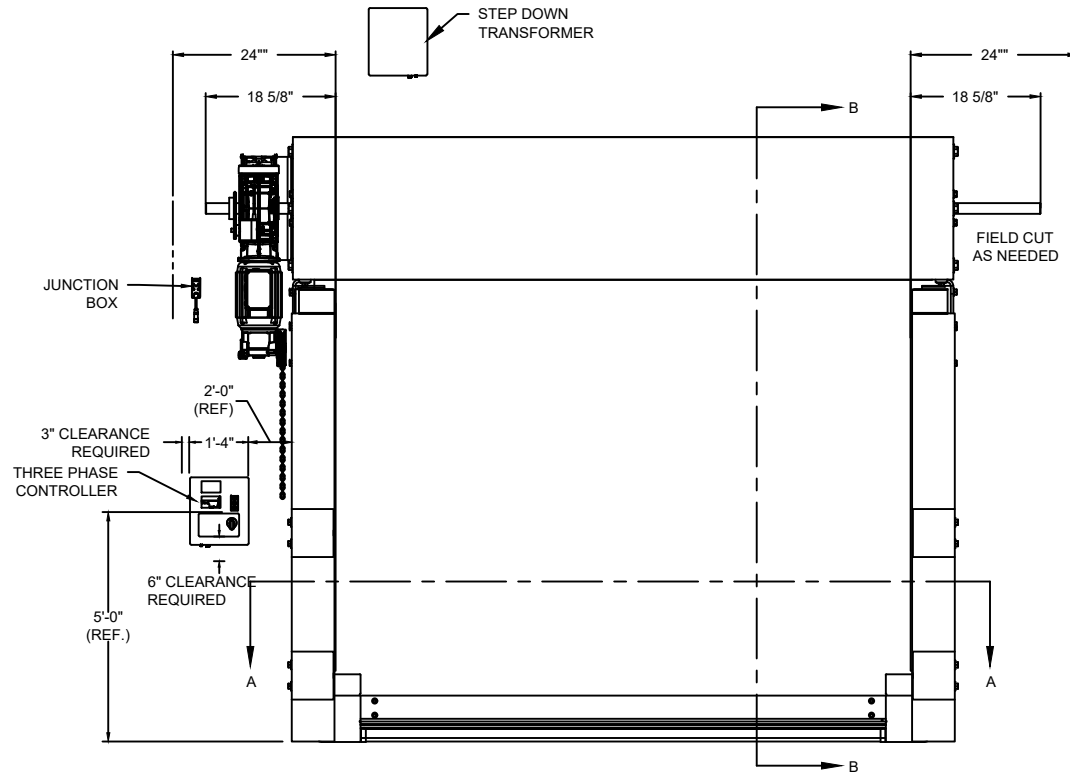
LARGE BOTTOM BAR DETAIL



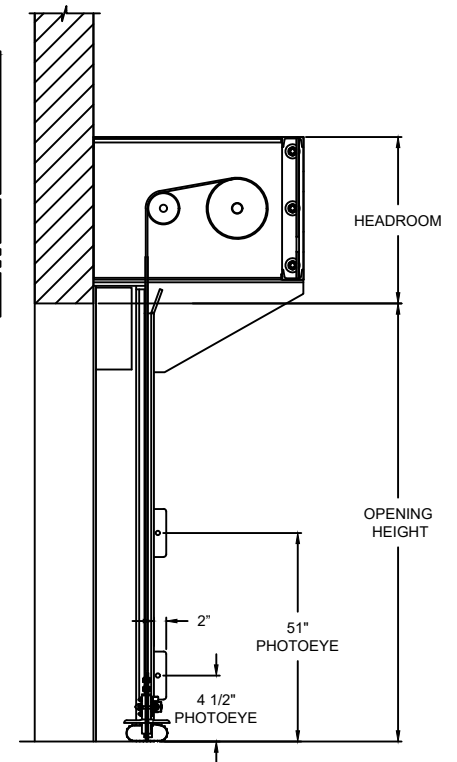
SMALL BOTTOM BAR DETAIL

OPTIONS

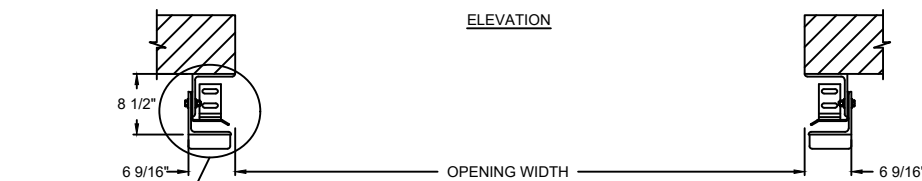
OPENING WIDTH*	
OPENING HEIGHT*	
WINDOW OPTIONS	<input type="checkbox"/> 20" H VISION
HOOD OPTIONS	<input type="checkbox"/> SLOPED <input type="checkbox"/> STANDARD
HOUSING OPTIONS	<input type="checkbox"/> WITH MOTOR HOUSING <input type="checkbox"/> WITHOUT MOTOR HOUSING
BOTTOM BAR OPTIONS	<input type="checkbox"/> SMALL <input type="checkbox"/> LARGE



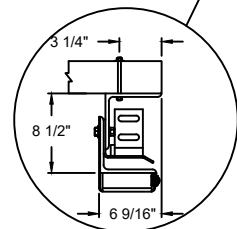
ELEVATION



SECTION B-B



SECTION A-A



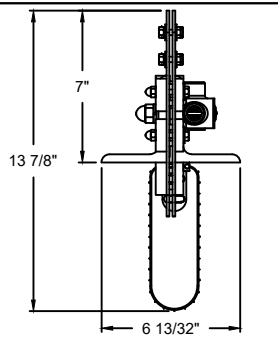
DETAIL
JAMB FASTENERS

COMPONENT	MATERIAL	OPERATION	NOTES:
HOOD	22 GA. STEEL	MOTOR RH 575V 3-PHASE	1. WINDLOAD 27 P.S.F ULTIMATE @ 19' WIDE * PLEASE REFER TO WALL GUIDE FOR COMPLETE LIST OF BUILDING SPECIFICATIONS
CURTAIN	LAYERS OF NBR RUBBER WITH 2 LAYERS POLYESTER WEAVE		
GUIDES	HIGH STRENGTH STEEL		
BOTTOM BAR	HIGH STRENGTH STEEL DOUBLE ANGLE		

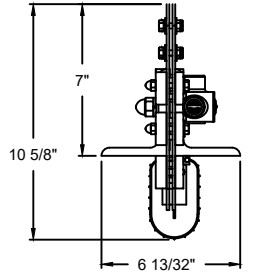
RAPIDFLEX®

995 EXTREME EXTERIOR HIGH SPEED RUBBER DOOR WITH LOW HEADROOM HEADPLATE

DWG. NO.	DATE:	The Genuine. The Original.
SHEET	BY:	



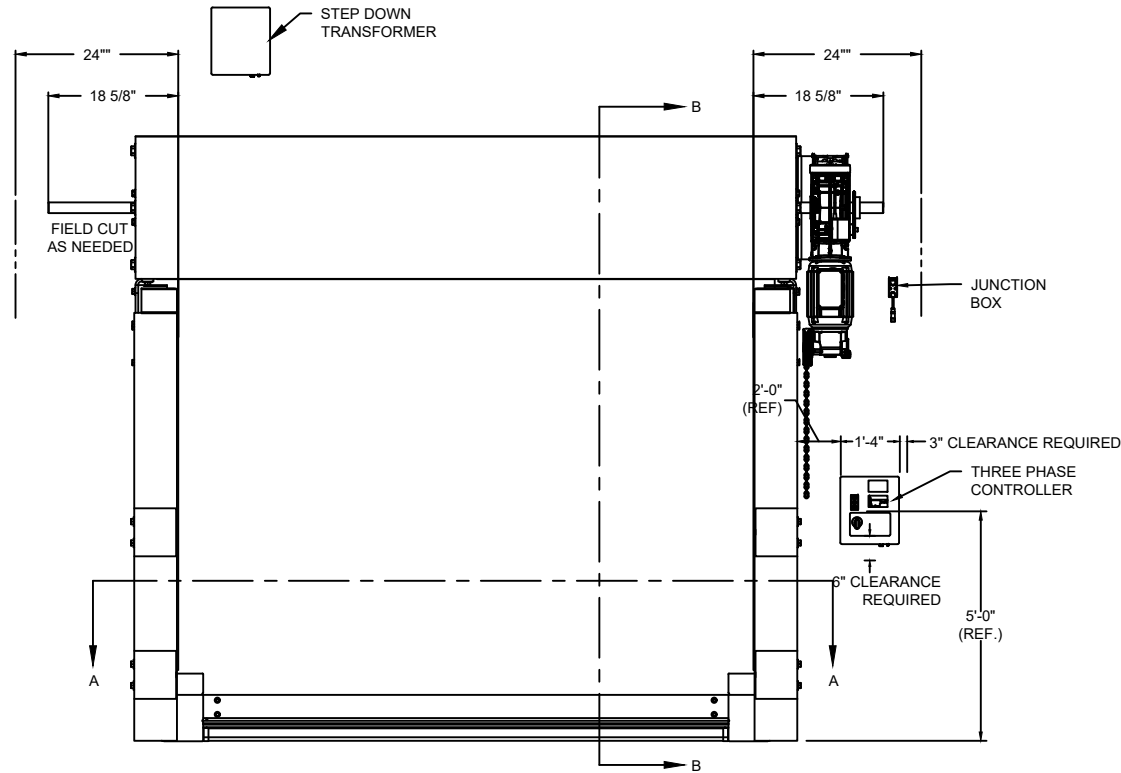
LARGE BOTTOM BAR DETAIL



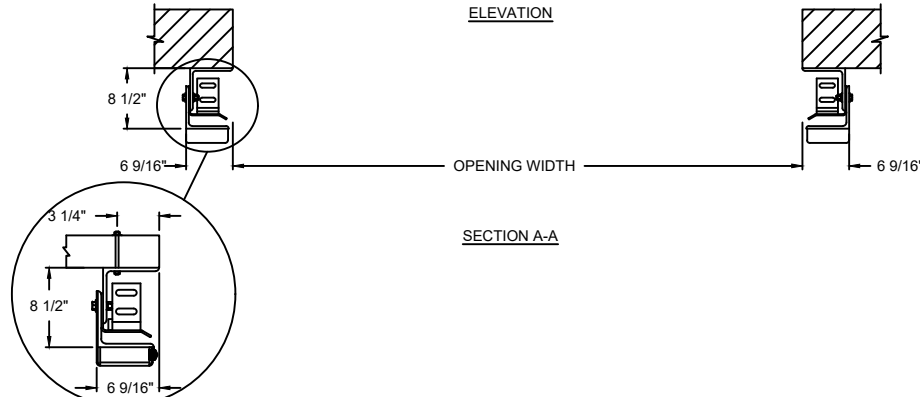
SMALL BOTTOM BAR DETAIL

OPTIONS

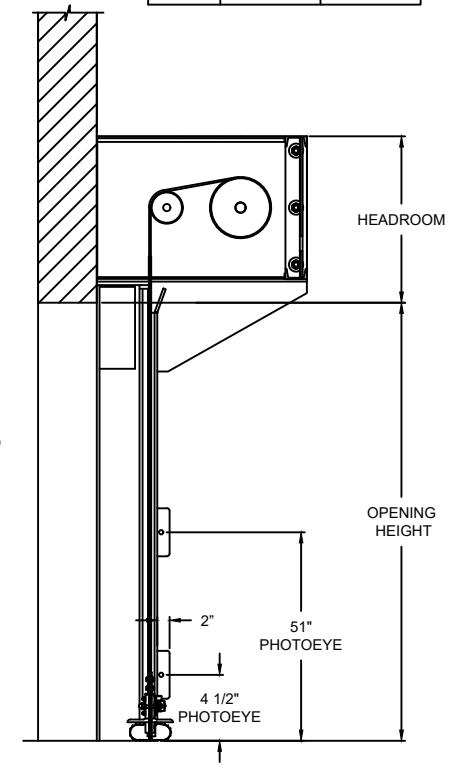
OPENING WIDTH*	
OPENING HEIGHT*	
WINDOW OPTIONS	<input type="checkbox"/> 20" H VISION
HOOD OPTIONS	<input type="checkbox"/> SLOPED <input type="checkbox"/> STANDARD
HOUSING OPTIONS	<input type="checkbox"/> WITH MOTOR HOUSING <input type="checkbox"/> WITHOUT MOTOR HOUSING
BOTTOM BAR OPTIONS	<input type="checkbox"/> SMALL <input type="checkbox"/> LARGE



ELEVATION



DETAIL JAMB FASTENERS



SECTION B-B

MODEL	STANDARD MAX. VALUES	
	WIDTH	HEIGHT
995	30'	30'

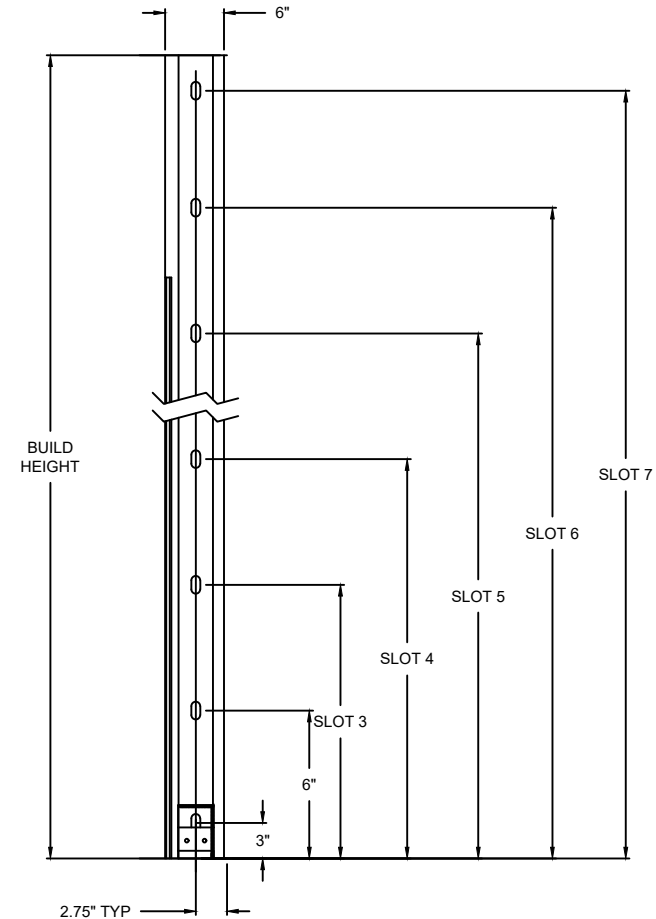
COMPONENT	MATERIAL	OPERATION	NOTES:
HOOD	22 GA. STEEL	MOTOR RH 575V 3-PHASE	1. WINDLOAD 27 P.S.F ULTIMATE @ 19' WIDE * PLEASE REFER TO WALL GUIDE FOR COMPLETE LIST OF BUILDING SPECIFICATIONS
CURTAIN	LAYERS OF NBR RUBBER WITH 2 LAYERS POLYESTER WEAVE		
GUIDES	HIGH STRENGTH STEEL		
BOTTOM BAR	HIGH STRENGTH STEEL DOUBLE ANGLE		

RAPIDFLEX®

995 EXTREME EXTERIOR HIGH SPEED RUBBER DOOR WITH LOW HEADROOM HEADPLATE

DWG. NO.	DATE:	The Genuine. The Original. OVERHEAD DOOR
SHEET	BY:	

995 WALL MOUNT																											
BUILD HEIGHT (FT)	BUILD HEIGHT (IN)	NUMBER OF SLOTS	SLOT 1	SLOT 2	SLOT 3	SLOT 4	SLOT 5	SLOT 6	SLOT 7	SLOT 8	SLOT 9	SLOT 10	SLOT 11	SLOT 12	SLOT 13	SLOT 14	SLOT 15	SLOT 16	SLOT 17	SLOT 18	SLOT 19	SLOT 20	SLOT 21	SLOT 22	SLOT 23	SLOT 24	
5	60	6	3.0	6.0	17.5	29.0	44.0	47.0																			
5.5	66	6	3.0	6.0	20.5	35.0	50.0	53.0																			
6	72	7	3.0	6.0	23.5	41.0	49.5	52.5	59.0																		
6.5	78	7	3.0	6.0	20.0	31.5	49.5	52.5	65.0																		
7	84	8	3.0	6.0	20.5	35.0	49.5	52.5	59.0	71.0																	
7.5	90	8	3.0	6.0	23.5	41.0	49.5	52.5	59.0	77.0																	
8	96	8	3.0	6.0	20.0	31.5	49.5	52.5	65.0	83.0																	
8.5	102	9	3.0	6.0	20.5	35.0	49.5	52.5	59.0	71.0	89.0																
9	108	9	3.0	6.0	23.5	41.0	49.5	52.5	59.0	77.0	95.0																
9.5	114	9	3.0	6.0	20.0	31.5	49.5	52.5	65.0	83.0	101.0																
10	120	10	3.0	6.0	20.5	35.0	49.5	52.5	59.0	71.0	89.0	107.0															
10.5	126	10	3.0	6.0	23.5	41.0	49.5	52.5	59.0	77.0	95.0	113.0															
11	132	10	3.0	6.0	20.0	31.5	49.5	52.5	65.0	83.0	101.0	119.0															
11.5	138	11	3.0	6.0	20.5	35.0	49.5	52.5	59.0	71.0	89.0	107.0	125.0														
12	144	11	3.0	6.0	23.5	41.0	49.5	52.5	59.0	77.0	95.0	113.0	131.0														
12.5	150	11	3.0	6.0	20.0	31.5	49.5	52.5	65.0	83.0	101.0	119.0	137.0														
13	156	12	3.0	6.0	20.5	35.0	49.5	52.5	59.0	71.0	89.0	107.0	125.0	141.0													
13.5	162	12	3.0	6.0	23.5	41.0	49.5	52.5	59.0	77.0	95.0	113.0	131.0	149.0													
14	168	12	3.0	6.0	20.0	31.5	49.5	52.5	65.0	83.0	101.0	119.0	137.0	155.0													
14.5	174	13	3.0	6.0	20.5	35.0	49.5	52.5	59.0	71.0	89.0	107.0	125.0	143.0	161.0												
15	180	13	3.0	6.0	23.5	41.0	49.5	52.5	59.0	77.0	95.0	113.0	131.0	149.0	167.0												
15.5	186	13	3.0	6.0	20.0	31.5	49.5	52.5	65.0	83.0	101.0	119.0	137.0	155.0	173.0												
16	192	14	3.0	6.0	20.5	35.0	49.5	52.5	59.0	71.0	89.0	107.0	125.0	143.0	161.0	179.0											
16.5	198	14	3.0	6.0	23.5	41.0	49.5	52.5	59.0	77.0	95.0	113.0	131.0	149.0	167.0	185.0											
17	204	14	3.0	6.0	20.0	31.5	49.5	52.5	65.0	83.0	101.0	119.0	137.0	155.0	173.0	191.0											
17.5	210	15	3.0	6.0	20.5	35.0	49.5	52.5	59.0	71.0	89.0	107.0	125.0	143.0	161.0	179.0	197.0										
18	216	15	3.0	6.0	23.5	41.0	49.5	52.5	59.0	77.0	95.0	113.0	131.0	149.0	167.0	185.0	203.0										
18.5	222	15	3.0	6.0	20.0	31.5	49.5	52.5	65.0	83.0	101.0	119.0	137.0	155.0	173.0	191.0	209.0										
19	228	16	3.0	6.0	20.5	35.0	49.5	52.5	59.0	71.0	89.0	107.0	125.0	143.0	161.0	179.0	197.0	215.0									
19.5	234	16	3.0	6.0	23.5	41.0	49.5	52.5	59.0	77.0	95.0	113.0	131.0	149.0	167.0	185.0	203.0	221.0									
20	240	16	3.0	6.0	20.0	31.5	49.5	52.5	65.0	83.0	101.0	119.0	137.0	155.0	173.0	191.0	209.0	227.0									
20.5	246	17	3.0	6.0	20.5	35.0	49.5	52.5	59.0	71.0	89.0	107.0	125.0	143.0	161.0	179.0	197.0	215.0	233.0								
21	252	18	3.0	6.0	23.5	41.0	49.5	52.5	59.0	77.0	95.0	113.0	131.0	149.0	167.0	185.0	203.0	221.0	239.0								
21.5	258	18	3.0	6.0	20.0	31.5	49.5	52.5	65.0	83.0	101.0	119.0	137.0	155.0	173.0	191.0	209.0	227.0	245.0								
22	264	18	3.0	6.0	20.5	35.0	49.5	52.5	59.0	71.0	89.0	107.0	125.0	143.0	161.0	179.0	197.0	215.0	233.0	251.0							
22.5	270	19	3.0	6.0	20.5	35.0	49.5	52.5	59.0	71.0	89.0	107.0	113.0	131.0	149.0	167.0	185.0	203.0	221.0	239.0	257.0						
23	276	19	3.0	6.0	23.5	41.0	49.5	52.5	59.0	77.0	95.0	113.0	131.0	149.0	167.0	185.0	203.0	221.0	239.0	257.0	275.0						
23.5	282	19	3.0	6.0	20.0	31.5	49.5	52.5	65.0	83.0	101.0	119.0	137.0	155.0	173.0	191.0	209.0	227.0	245.0	263.0	281.0						
24	288	20	3.0	6.0	20.5	35.0	49.5	52.5	59.0	71.0	89.0	107.0	125.0	143.0	161.0	179.0	197.0	215.0	233.0	251.0	269.0						
24.5	294	20	3.0	6.0	23.5	41.0	49.5	52.5	59.0	77.0	95.0	113.0	131.0	149.0	167.0	185.0	203.0	221.0	239.0	257.0	275.0						
25	300	20	3.0	6.0	20.0	31.5	49.5	52.5	65.0	83.0	101.0	119.0	137.0	155.0	173.0	191.0	209.0	227.0	245.0	263.0	281.0						
25.5	306	21	3.0	6.0	20.5	35.0	49.5	52.5	59.0	71.0	89.0	107.0	125.0	143.0	161.0	179.0	197.0	215.0	233.0	251.0	269.0	287.0					
26	312	21	3.0	6.0	23.5	41.0	49.5	52.5	59.0	77.0	95.0	113.0	131.0	149.0	167.0	185.0	203.0	221.0	239.0	257.0	275.0	293.0					
26.5	318	21	3.0	6.0	20.0	31.5	49.5	52.5	65.0	83.0	101.0	119.0	137.0	155.0	173.0	191.0	209.0	227.0	245.0	263.0	281.0	299.0					
27	324	22	3.0	6.0	20.5	35.0	49.5	52.5	59.0	71.0	89.0	107.0	125.0	143.0	161.0	179.0	197.0	215.0	233.0	251.0	269.0	287.0	305.0				
27.5	330	22	3.0	6.0	23.5	41.0	49.5	52.5	59.0	77.0	95.0	113.0	131.0	149.0	167.0	185.0	203.0	221.0	239.0	257.0	275.0	293.0	311.0				
28	336	22	3.0	6.0	20.0	31.5	49.5	52.5	65.0	83.0	101.0	119.0	137.0	155.0	173.0	191.0	209.0	227.0	245.0	263.0	281.0	299.0	317.0				
28.5	342	23	3.0	6.0	20.5	35.0	49.5	52.5	59.0	71.0	89.0	107.0	125.0	143.0	161.0	179.0	197.0	215.0	233.0	251.0	269.0	287.0	305.0	323.0			
29	348	23	3.0	6.0	23.5	41.0	49.5	52.5	59.0	77.0	95.0	113.0	131.0	149.0	167.0	185.0	203.0	221.0	239.0	257.0	275.0	293.0	311.0	329.0			
29.5	354	23	3.0	6.0	20.0	31.5	49.5	52.5	65.0	83.0	101.0	119.0	137.0	155.0	173.0	191.0	209.0	227.0	245.0	263.0	281.0	299.0	317.0	335.0			
30	360	24	3.0	6.0	20.5	35.0	49.5	52.5	59.0	71.0	89.0	107.0	125.0	143.0	161.0	179.0	197.0	215.0	233.0	251.0	269.0	287.0	305.0	323.0	341.0		



JAMB DETAIL
SHOWING 7 SLOTS

RAPIDFLEX®

995 EXTREME EXTERIOR HIGH SPEED RUBBER DOOR WITH LOW
DRAFT ROOM HEADPLATE

DWG. NO.	DATE	
SHEET	BY:	