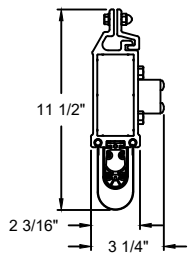
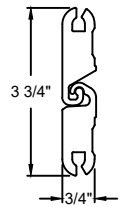


MODEL	STANDARD MAX. VALUES	
	WIDTH	HEIGHT
994	24'	20'



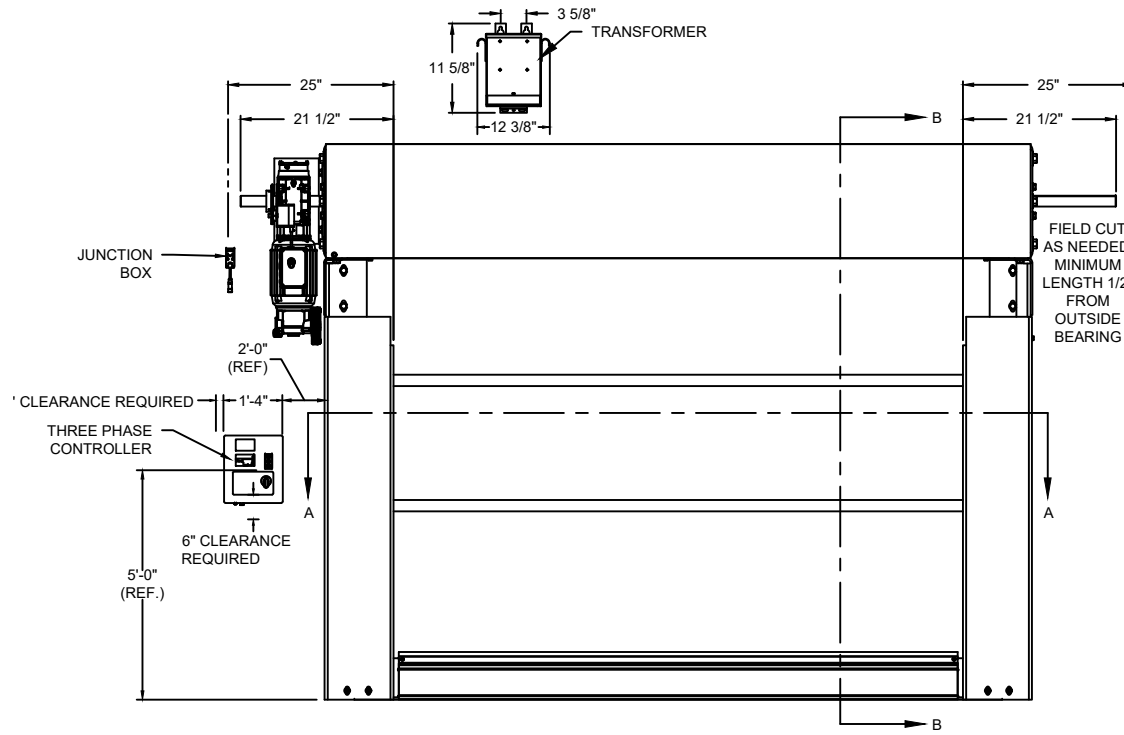
BOTTOM BAR DETAIL



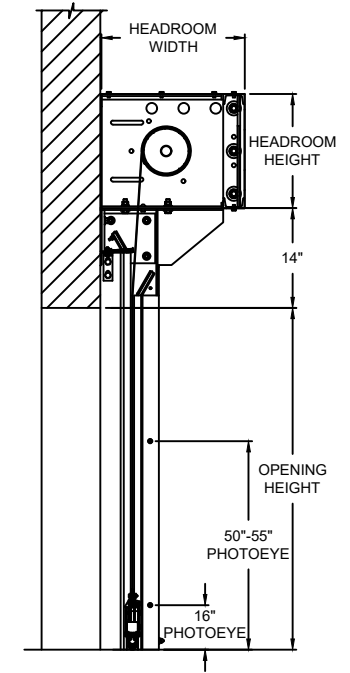
STRUT DETAIL

OPTIONS

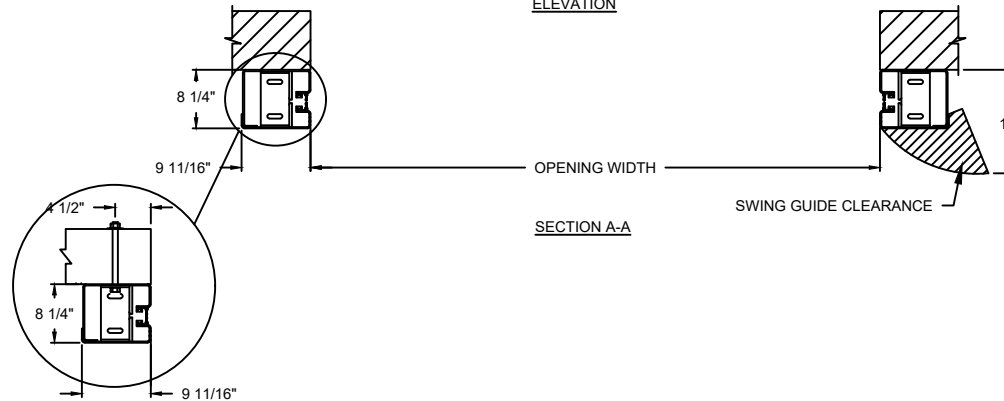
OPENING WIDTH*	
OPENING HEIGHT*	
WINDOW OPTIONS	<input type="checkbox"/> 20" H VISION
HEADROOM OPTIONS (WIDTH X HEIGHT)	<input type="checkbox"/> 17 1/4"X13" (13" HEADPLATE)
	<input type="checkbox"/> 20 1/4"X16" (17" HEADPLATE)
HOUSING OPTIONS	<input type="checkbox"/> WITH MOTOR HOUSING
	<input type="checkbox"/> WITHOUT MOTOR HOUSING
HOOD OPTIONS	<input type="checkbox"/> SLOPED <input type="checkbox"/> STANDARD



ELEVATION



SECTION B-B



SECTION A-A

DETAIL  
JAMB FASTENERS

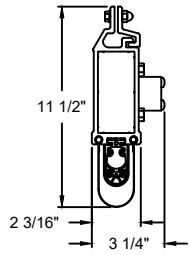
COMPONENT	MATERIAL	OPERATION	NOTES:
HOOD	22 GA. STEEL	MOTOR LH 208V 3-PHASE VIA TRANSFORMER (190-270V RANGE)	1. WINDLOAD 22 P.S.F ULTIMATE @ 20' WIDE * PLEASE REFER TO WALL GUIDE FOR COMPLETE LIST OF BUILDING SPECIFICATIONS
CURTAIN	3 LAYER PVC COATED POLYESTER WITH 2 LAYERS POLYESTER WEAVE		
GUIDES	HIGH STRENGTH STEEL		
BOTTOM BAR	EXTRUDED ALUMINUM		

RAPIDFLEX®

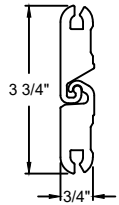
994 STRUTTED EXTERIOR HEAVY-DUTY HIGH SPEED FABRIC DOOR

DWG. NO.	DATE:	The Genuine. The Original. OVERHEAD DOOR
SHEET	BY:	

MODEL	STANDARD MAX. VALUES	
	WIDTH	HEIGHT
994	24'	20'



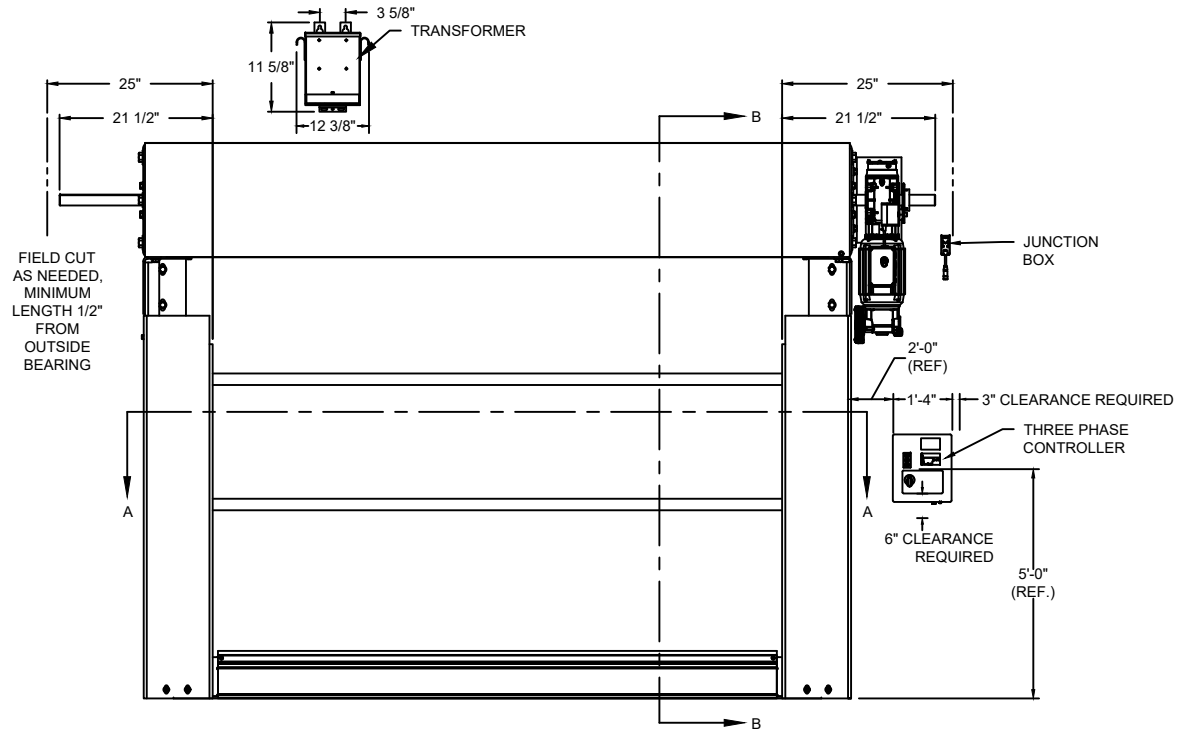
BOTTOM BAR DETAIL



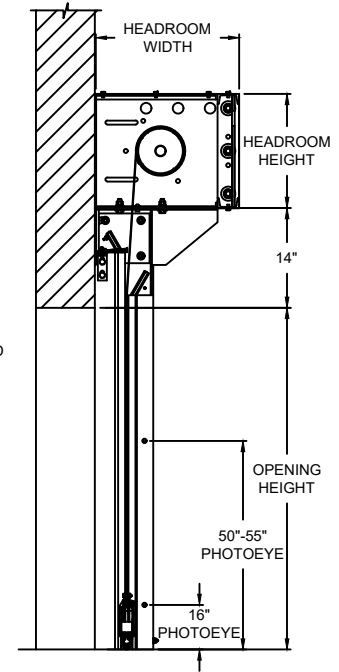
STRUT DETAIL

**OPTIONS**

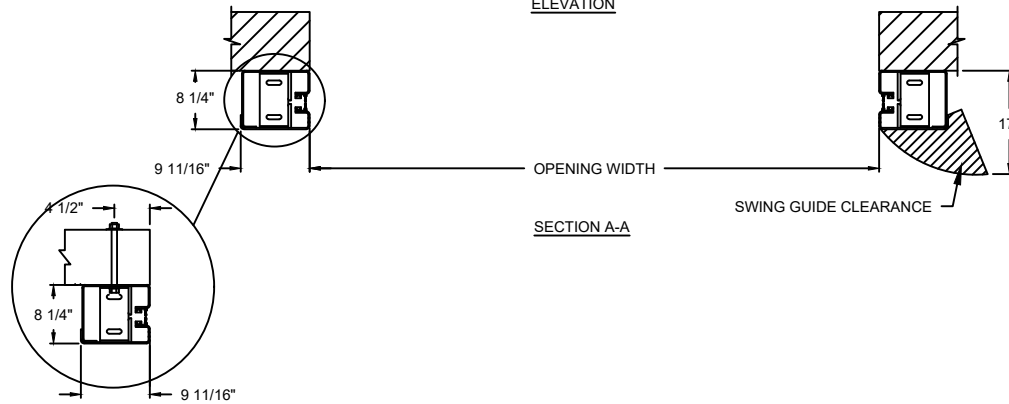
OPENING WIDTH*	
OPENING HEIGHT*	
WINDOW OPTIONS	<input type="checkbox"/> 20" H VISION
HEADROOM OPTIONS (WIDTH X HEIGHT)	<input type="checkbox"/> 17 1/4"X13" (13" HEADPLATE)
	<input type="checkbox"/> 20 1/4"X16" (17" HEADPLATE)
HOUSING OPTIONS	<input type="checkbox"/> WITH MOTOR HOUSING
	<input type="checkbox"/> WITHOUT MOTOR HOUSING
HOOD OPTIONS	<input type="checkbox"/> SLOPED <input type="checkbox"/> STANDARD



ELEVATION



SECTION B-B



SECTION A-A

DETAIL  
JAMB FASTENERS

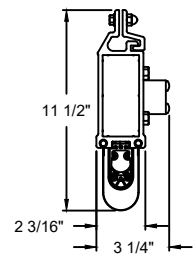
COMPONENT	MATERIAL	OPERATION	NOTES:
HOOD	22 GA. STEEL	MOTOR RH 208V 3-PHASE VIA TRANSFORMER (190-270V RANGE)	1. WINDLOAD 22 P.S.F ULTIMATE @ 20' WIDE * PLEASE REFER TO WALL GUIDE FOR COMPLETE LIST OF BUILDING SPECIFICATIONS
CURTAIN	3 LAYER PVC COATED POLYESTER WITH 2 LAYERS POLYESTER WEAVE		
GUIDES	HIGH STRENGTH STEEL		
BOTTOM BAR	EXTRUDED ALUMINUM		

**RAPIDFLEX®**

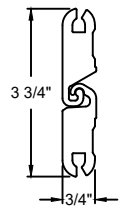
994 STRUTTED EXTERIOR HEAVY-DUTY HIGH SPEED FABRIC DOOR

DWG. NO.	DATE:	<b>The Genuine. The Original.</b> 
SHEET	BY:	

MODEL	STANDARD MAX. VALUES	
	WIDTH	HEIGHT
994	24'	20'



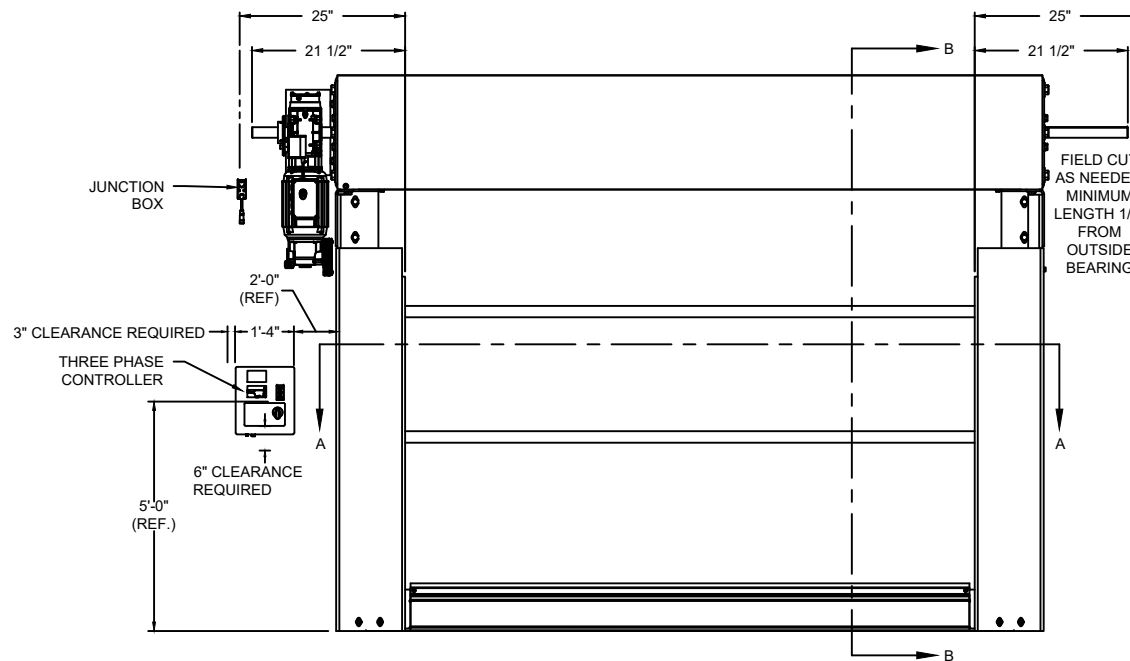
BOTTOM BAR DETAIL



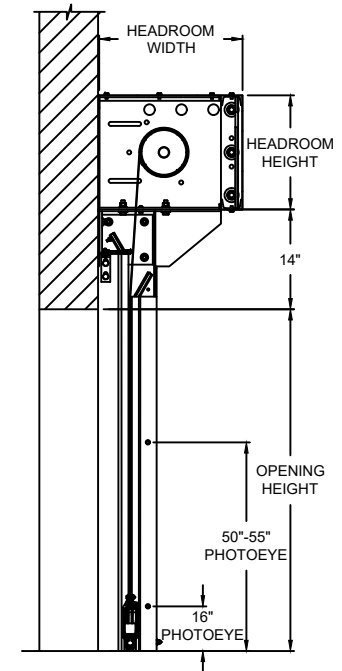
STRUT DETAIL

**OPTIONS**

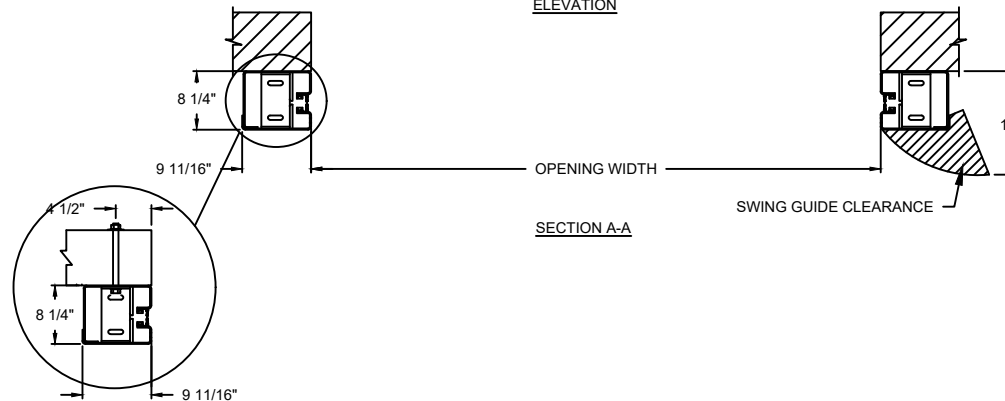
OPENING WIDTH*	
OPENING HEIGHT*	
WINDOW OPTIONS	<input type="checkbox"/> 20" H VISION
VOLTS OPTIONS	<input type="checkbox"/> 230V 3-PHASE <input type="checkbox"/> 460V 3-PHASE
HEADROOM OPTIONS (WIDTH X HEIGHT)	<input type="checkbox"/> 17 1/4"x13" (13" HEADPLATE) <input type="checkbox"/> 20 1/4"x16" (17" HEADPLATE)
HOUSING OPTIONS	<input type="checkbox"/> WITH MOTOR HOUSING <input type="checkbox"/> WITHOUT MOTOR HOUSING
HOOD OPTIONS	<input type="checkbox"/> SLOPED <input type="checkbox"/> STANDARD



ELEVATION



SECTION B-B



SECTION A-A

DETAIL  
JAMB FASTENERS

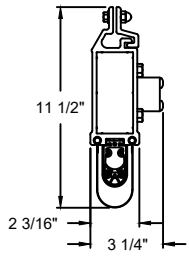
COMPONENT	MATERIAL	OPERATION	NOTES:
HOOD	22 GA. STEEL	MOTOR LH	1. WINDLOAD 22 P.S.F ULTIMATE @ 20' WIDE * PLEASE REFER TO WALL GUIDE FOR COMPLETE LIST OF BUILDING SPECIFICATIONS
CURTAIN	3 LAYER PVC COATED POLYESTER WITH 2 LAYERS POLYESTER WEAVE		
GUIDES	HIGH STRENGTH STEEL		
BOTTOM BAR	EXTRUDED ALUMINUM		

**RAPIDFLEX®**

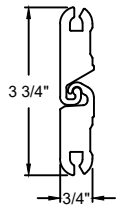
994 STRUTTED EXTERIOR HEAVY-DUTY HIGH SPEED FABRIC DOOR

DWG. NO.	DATE:	<b>The Genuine. The Original.</b> <b>OVERHEAD DOOR</b>
SHEET	BY:	

MODEL	STANDARD MAX. VALUES	
	WIDTH	HEIGHT
994	24'	20'



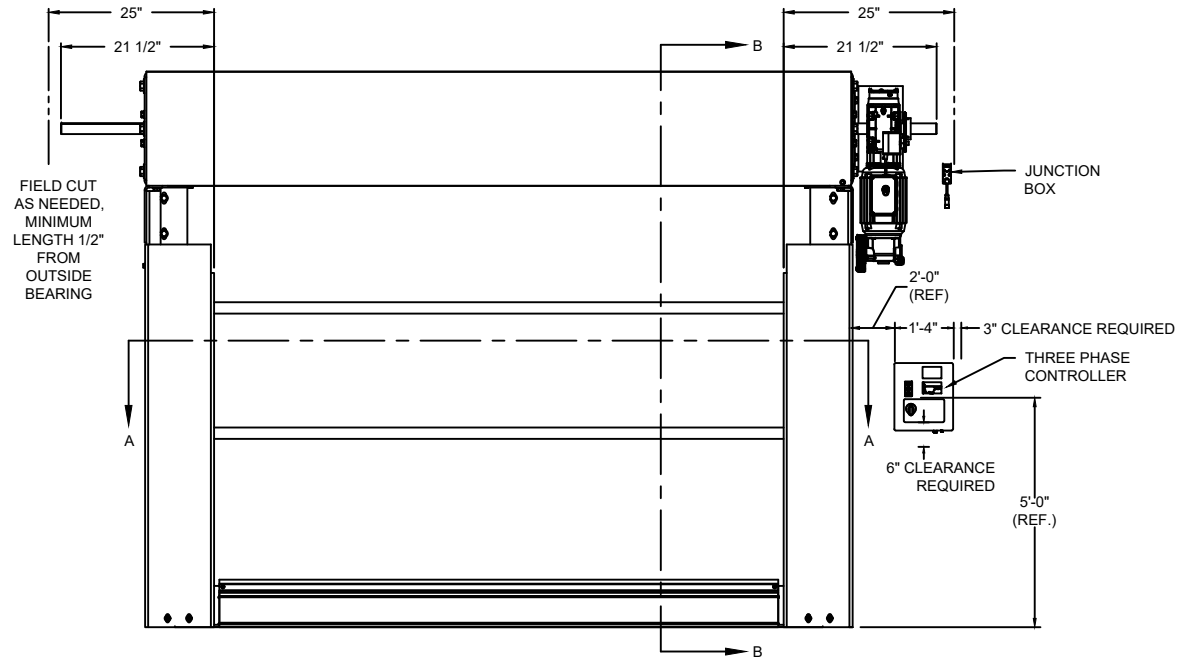
BOTTOM BAR DETAIL



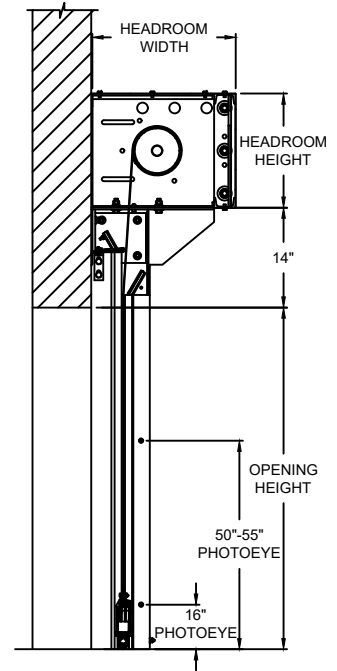
STRUT DETAIL

**OPTIONS**

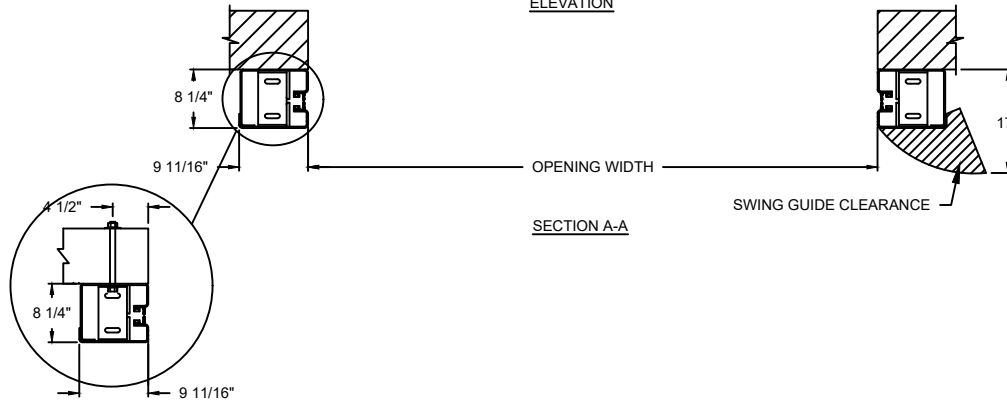
OPENING WIDTH*	
OPENING HEIGHT*	
WINDOW OPTIONS	<input type="checkbox"/> 20" H VISION
VOLTS OPTIONS	<input type="checkbox"/> 230V 3-PHASE <input type="checkbox"/> 460V 3-PHASE
HEADROOM OPTIONS (WIDTH X HEIGHT)	<input type="checkbox"/> 17 1/4"x13" (13" HEADPLATE) <input type="checkbox"/> 20 1/4"x16" (17" HEADPLATE)
HOUSING OPTIONS	<input type="checkbox"/> WITH MOTOR HOUSING <input type="checkbox"/> WITHOUT MOTOR HOUSING
HOOD OPTIONS	<input type="checkbox"/> SLOPED <input type="checkbox"/> STANDARD



ELEVATION



SECTION B-B



SECTION A-A

DETAIL  
JAMB FASTENERS

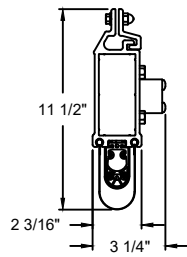
COMPONENT	MATERIAL	OPERATION	NOTES:
HOOD	22 GA. STEEL	MOTOR RH	1. WINDLOAD 22 P.S.F ULTIMATE @ 20' WIDE * PLEASE REFER TO WALL GUIDE FOR COMPLETE LIST OF BUILDING SPECIFICATIONS
CURTAIN	3 LAYER PVC COATED POLYESTER WITH 2 LAYERS POLYESTER WEAVE		
GUIDES	HIGH STRENGTH STEEL		
BOTTOM BAR	EXTRUDED ALUMINUM		

**RAPIDFLEX®**

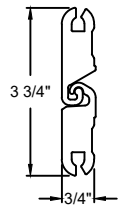
994 STRUTTED EXTERIOR HEAVY-DUTY HIGH SPEED FABRIC DOOR

DWG. NO.	DATE:	
SHEET	BY:	

MODEL	STANDARD MAX. VALUES	
	WIDTH	HEIGHT
994	24'	20'



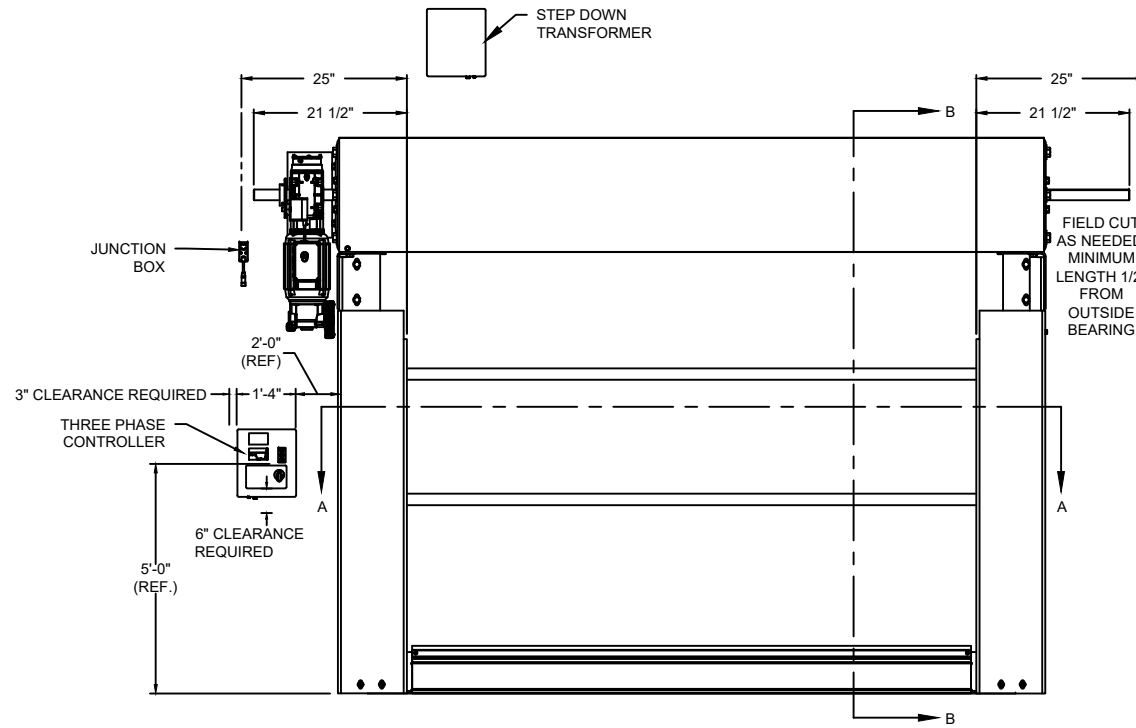
BOTTOM BAR DETAIL



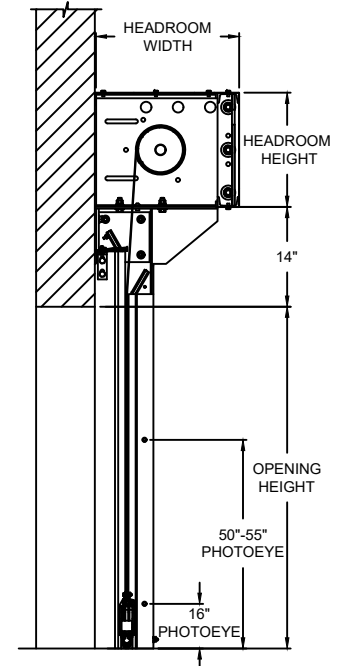
STRUT DETAIL

**OPTIONS**

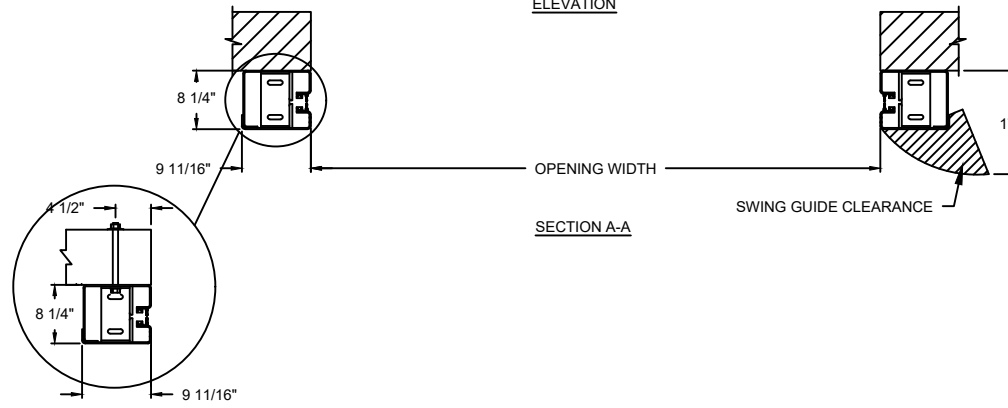
OPENING WIDTH*	
OPENING HEIGHT*	
WINDOW OPTIONS	<input type="checkbox"/> 20" H VISION
HEADROOM OPTIONS (WIDTH X HEIGHT)	<input type="checkbox"/> 17 1/4"X13" (13" HEADPLATE)
	<input type="checkbox"/> 20 1/4"X16" (17" HEADPLATE)
HOUSING OPTIONS	<input type="checkbox"/> WITH MOTOR HOUSING
	<input type="checkbox"/> WITHOUT MOTOR HOUSING
HOOD OPTIONS	<input type="checkbox"/> SLOPED <input type="checkbox"/> STANDARD



ELEVATION



SECTION B-B



SECTION A-A

DETAIL  
JAMB FASTENERS

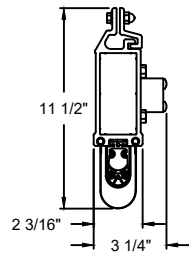
COMPONENT	MATERIAL	OPERATION	NOTES:
HOOD	22 GA. STEEL	MOTOR LH 575V 3-PHASE	1. WINDLOAD 22 P.S.F ULTIMATE @ 20' WIDE * PLEASE REFER TO WALL GUIDE FOR COMPLETE LIST OF BUILDING SPECIFICATIONS
CURTAIN	3 LAYER PVC COATED POLYESTER WITH 2 LAYERS POLYESTER WEAVE		
GUIDES	HIGH STRENGTH STEEL		
BOTTOM BAR	EXTRUDED ALUMINUM		

**RAPIDFLEX®**

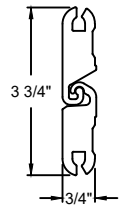
994 STRUTTED EXTERIOR HEAVY-DUTY HIGH SPEED FABRIC DOOR

DWG. NO.	DATE:	<b>The Genuine. The Original.</b> <b>OVERHEAD DOOR</b>
SHEET	BY:	

MODEL	STANDARD MAX. VALUES	
	WIDTH	HEIGHT
994	24'	20'



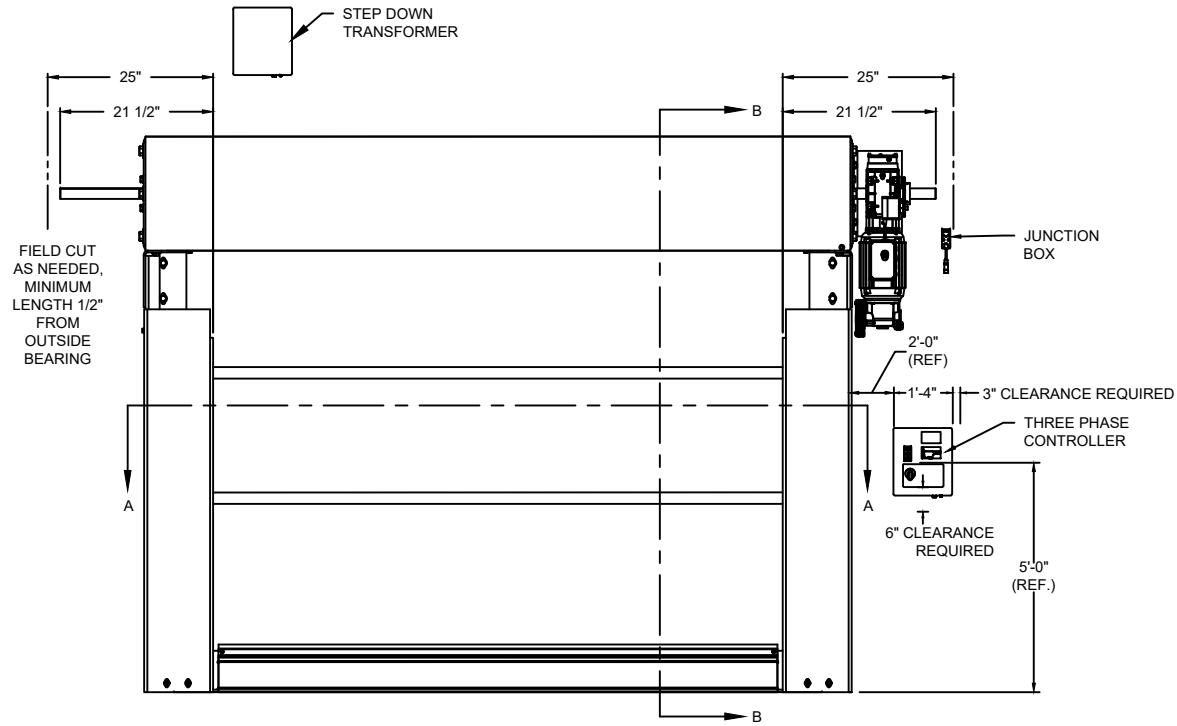
BOTTOM BAR DETAIL



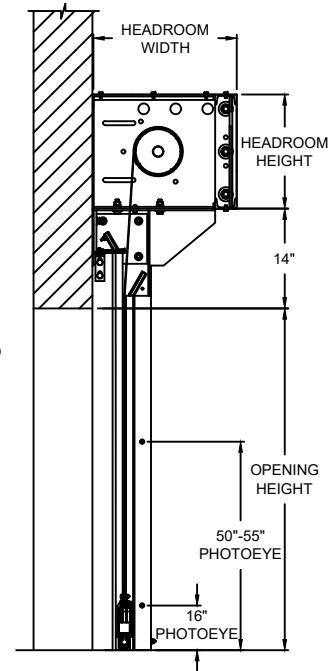
STRUT DETAIL

**OPTIONS**

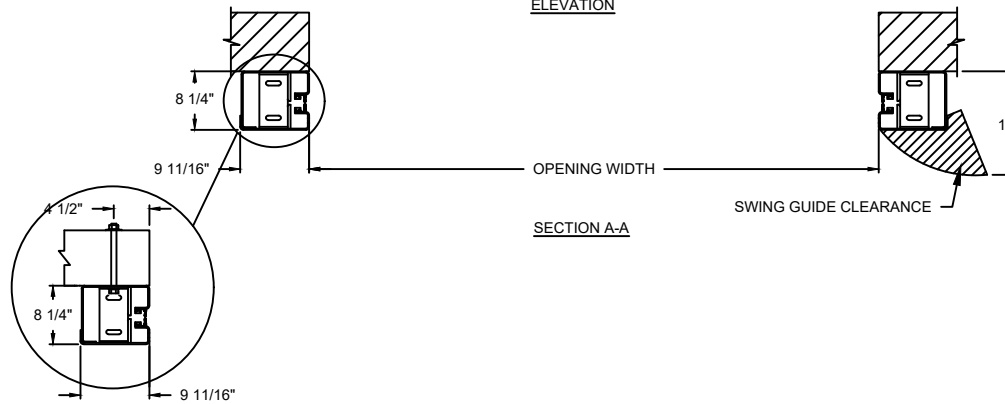
OPENING WIDTH*	
OPENING HEIGHT*	
WINDOW OPTIONS	<input type="checkbox"/> 20" H VISION
HEADROOM OPTIONS (WIDTH X HEIGHT)	<input type="checkbox"/> 17 1/4"X13" (13" HEADPLATE) <input type="checkbox"/> 20 1/4"X16" (17" HEADPLATE)
HOUSING OPTIONS	<input type="checkbox"/> WITH MOTOR HOUSING <input type="checkbox"/> WITHOUT MOTOR HOUSING
HOOD OPTIONS	<input type="checkbox"/> SLOPED <input type="checkbox"/> STANDARD



ELEVATION



SECTION B-B



SECTION A-A

DETAIL JAMB FASTENERS

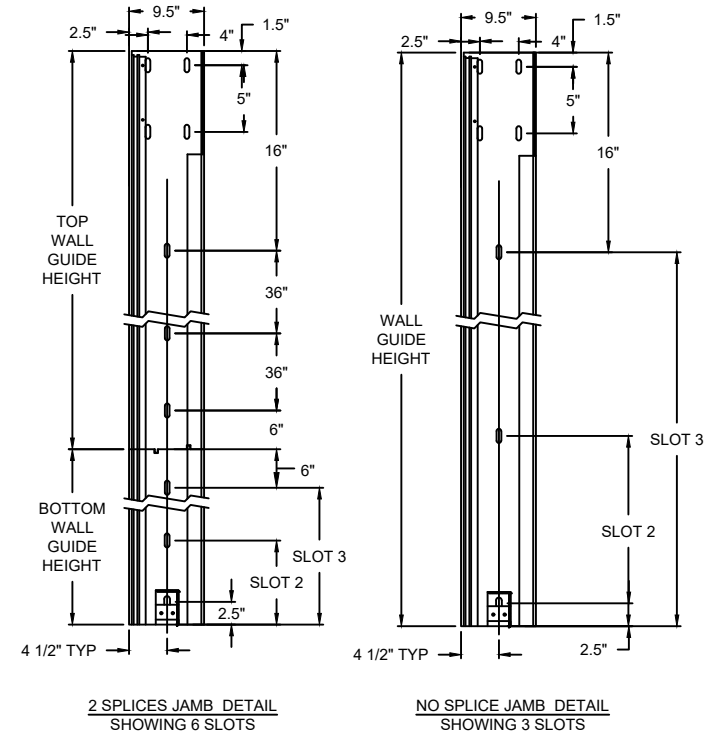
COMPONENT	MATERIAL	OPERATION	NOTES:
HOOD	22 GA. STEEL	MOTOR RH 575V 3-PHASE	1. WINDLOAD 22 P.S.F ULTIMATE @ 20' WIDE * PLEASE REFER TO WALL GUIDE FOR COMPLETE LIST OF BUILDING SPECIFICATIONS
CURTAIN	3 LAYER PVC COATED POLYESTER WITH 2 LAYERS POLYESTER WEAVE		
GUIDES	HIGH STRENGTH STEEL		
BOTTOM BAR	EXTRUDED ALUMINUM		

**RAPIDFLEX®**

994 STRUTTED EXTERIOR HEAVY-DUTY HIGH SPEED FABRIC DOOR

DWG. NO.	DATE:	<b>The Genuine. The Original.</b> <b>OVERHEAD DOOR</b>
SHEET	BY:	

994 WALL GUIDE NO SPLICE											
BUILD HEIGHT (FT)	BUILD HEIGHT (IN)	WALL GUIDE HEIGHT (IN)	NUMBER OF SLOTS	SLOT 1	SLOT 2	SLOT 3	SLOT 4	SLOT 5	SLOT 6	SLOT 7	SLOT 8
5	60	73.75	3	2.500	30.125	57.750					
5.5	66	79.75	3	2.500	33.125	63.750					
6	72	85.75	3	2.500	36.125	69.750					
6.5	78	91.75	4	2.500	21.125	39.750	75.750				
7	84	97.75	4	2.500	24.125	45.750	81.750				
7.5	90	103.75	4	2.500	27.125	51.750	87.750				
8	96	109.75	4	2.500	30.125	57.750	93.750				
8.5	102	115.75	4	2.500	33.125	63.750	99.750				
9	108	121.75	4	2.500	36.125	69.750	105.750				
9.5	114	127.75	5	2.500	21.125	39.750	75.750	111.750			
10	120	133.75	5	2.500	24.125	45.750	81.750	117.750			
10.5	126	139.75	5	2.500	27.125	51.750	87.750	123.750			
11	132	145.75	5	2.500	30.125	57.750	93.750	129.750			
11.5	138	151.75	5	2.500	33.125	63.750	99.750	135.750			
12	144	157.75	5	2.500	36.125	69.750	105.750	141.750			
12.5	150	163.75	6	2.500	21.125	39.750	75.750	111.750	147.750		
13	156	169.75	6	2.500	24.125	45.750	81.750	117.750	153.750		
13.5	162	175.75	6	2.500	27.125	51.750	87.750	123.750	159.750		
14	168	181.75	6	2.500	30.125	57.750	93.750	129.750	165.750		
14.5	174	187.75	6	2.500	33.125	63.750	99.750	135.750	171.750		
15	180	193.75	6	2.500	36.125	69.750	105.750	141.750	177.750		
15.5	186	199.75	7	2.500	21.125	39.750	75.750	111.750	147.750	183.750	
16	192	205.75	7	2.500	24.125	45.750	81.750	117.750	153.750	189.750	
16.5	198	211.75	7	2.500	27.125	51.750	87.750	123.750	159.750	195.750	
17	204	217.75	7	2.500	30.125	57.750	93.750	129.750	165.750	201.750	
17.5	210	223.75	7	2.500	33.125	63.75	99.75	135.75	171.75	207.75	
18	216	229.75	7	2.500	36.125	69.75	105.75	141.75	177.75	213.75	
18.5	222	235.75	8	2.500	21.125	39.75	75.75	111.75	147.75	183.75	219.75



STRUT QUANTITY WILL VARY  
BASED ON DOOR HEIGHT

OPENING HEIGHT	# OF STRUTS
5'0" UP TO 8'0"	1
8'0" UP TO 11'6"	2
11'6" UP TO 15'6"	3
15'6" UP TO 19'0"	4
19'0" ABOVE	5

994 WALL GUIDE SPLICE													
BUILD HEIGHT (FT)	BUILD HEIGHT (IN)	BOTTOM WALL GUIDE HEIGHT (IN)	TOP WALL GUIDE HEIGHT (IN)	NUMBER OF SLOTS	SLOT 1	SLOT 2	SLOT 3	SLOT 4	SLOT 5	SLOT 6	SLOT 7	SLOT 8	SLOT 9
19	241.75	147.75	94	8	2.500	36.130	69.750	105.750	141.750	153.750	189.750	22.750	
19.5	247.75	153.75	94	9	2.500	21.130	39.750	75.750	111.750	147.750	159.750	195.750	231.750
20	253.75	159.75	94	9	2.500	24.130	45.750	81.750	117.750	153.750	165.750	201.750	237.750

**RAPIDFLEX®**

994 STRUTTED EXTERIOR HEAVY-DUTY HIGH SPEED FABRIC DOOR

DWG. NO.	DATE:	<b>The Genuine. The Original.</b> 
SHEET	BY:	