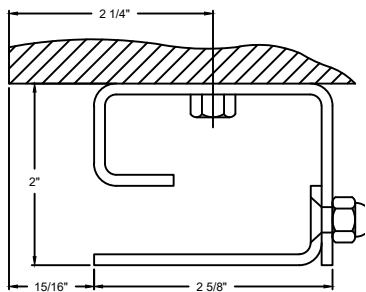
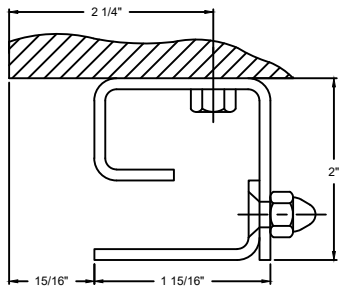


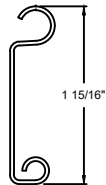
MODEL	STANDARD MAX. VALUES	
	WIDTH	HEIGHT
641	14'	11' 2"



LARGE GUIDE DETAIL



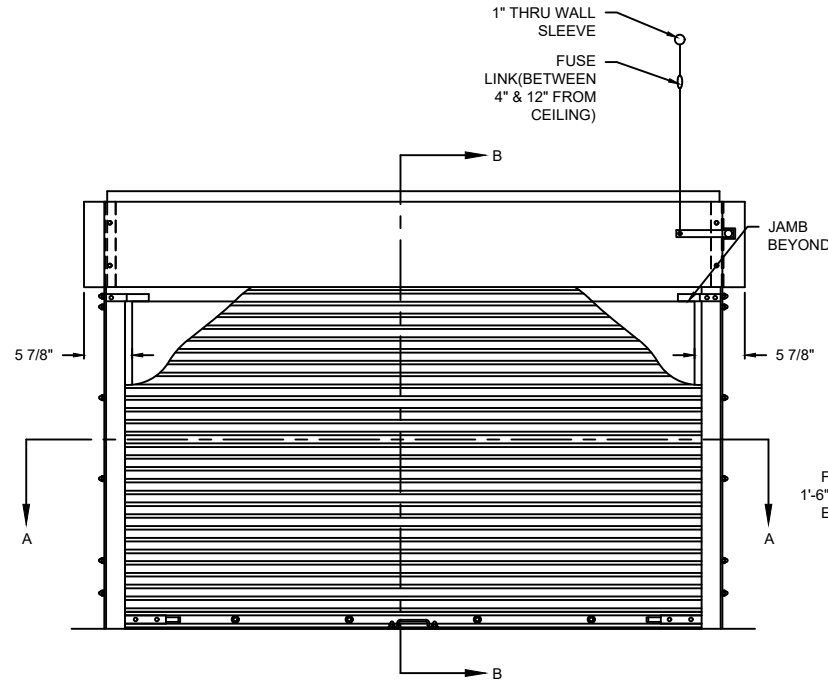
SMALL GUIDE DETAIL



F158 SLAT SECTION

OPTIONS

OPENING WIDTH	
OPENING HEIGHT	
HEADPLATE OPTIONS	<input type="checkbox"/> SMALL <input type="checkbox"/> LARGE
GUIDE OPTIONS	<input type="checkbox"/> SMALL <input type="checkbox"/> LARGE
FIRE DOOR EQUIPMENT OPTIONS	<input type="checkbox"/> FIRE SENTINEL (LH) <input type="checkbox"/> FIRE SENTINEL (RH) <input type="checkbox"/> HOOD FLAME BAFFLE <input type="checkbox"/> HORN & STROBE <input type="checkbox"/> KEYED TEST SWITCH (LH) <input type="checkbox"/> KEYED TEST SWITCH (RH) <input type="checkbox"/> SMOKE DETECTOR

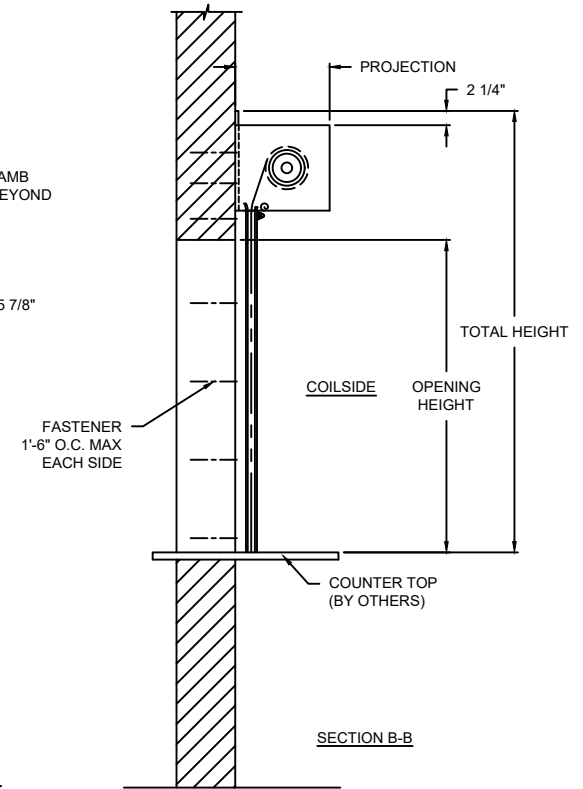


ELEVATION



COILSIDE

SECTION A-A



SECTION B-B

PROJECTION	
MIN.	MAX.
9.5" X 9.5"	11.5" X 11.5"

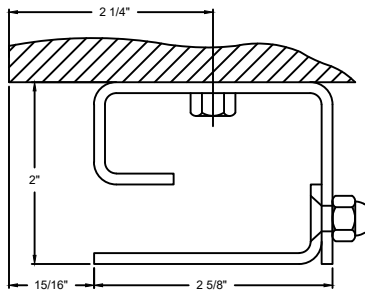
FIRE RATED COUNTER DOOR

641 FIRE RATED ROLLING COUNTER DOOR - FACE MOUNT

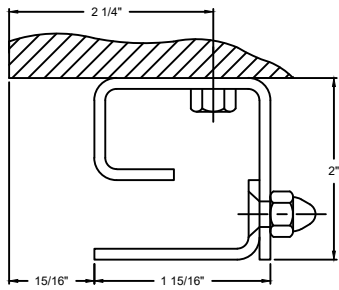
DWG. NO.	DATE:	The Genuine. The Original. OVERHEAD DOOR
SHEET	BY:	

COMPONENT	MATERIAL	OPERATION	NOTES:
HOOD	24 GA. SS #4	MANUAL PUSH UP LH	- AVAILABLE WITH UL AND FM 3-HOUR (OPTIONAL) CLASS A LABELS FOR MASONRY FIRE WALLS - AVAILABLE WITH A UL 1 1/2-HOUR CLASS B LABEL FOR APPLICATIONS IN NON-MASONRY FIRE WALLS OF DRY WALL WITH WOOD, STEEL STUDS, OR STEEL TUBE JAMBS
CURTAIN	22 GA. SS #4		
GUIDES	11 GA. SS #4		
BOTTOM BAR	SS #4		

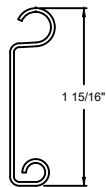
MODEL	STANDARD MAX. VALUES	
	WIDTH	HEIGHT
641	14'	11' 2"



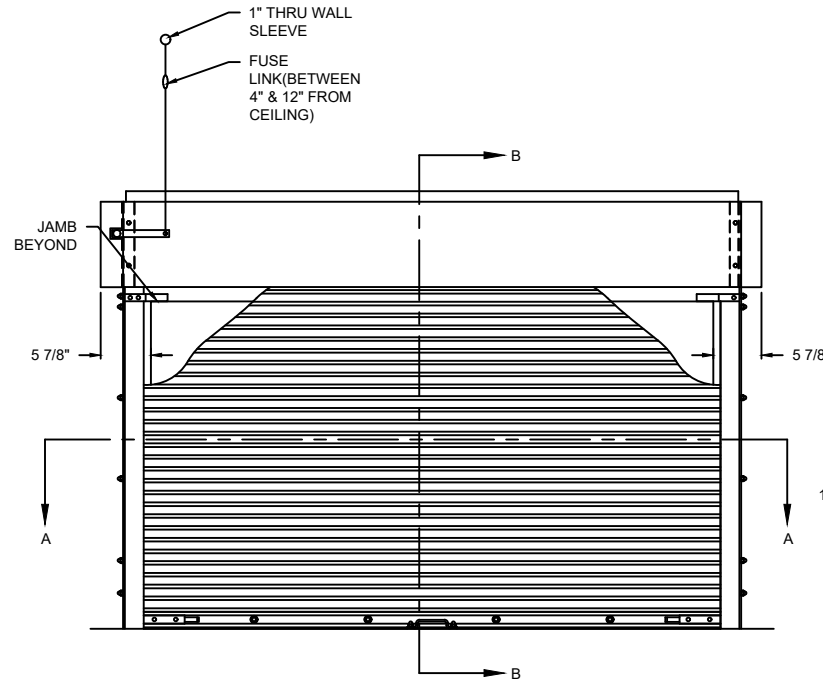
LARGE GUIDE DETAIL



SMALL GUIDE DETAIL



F158 SLAT SECTION



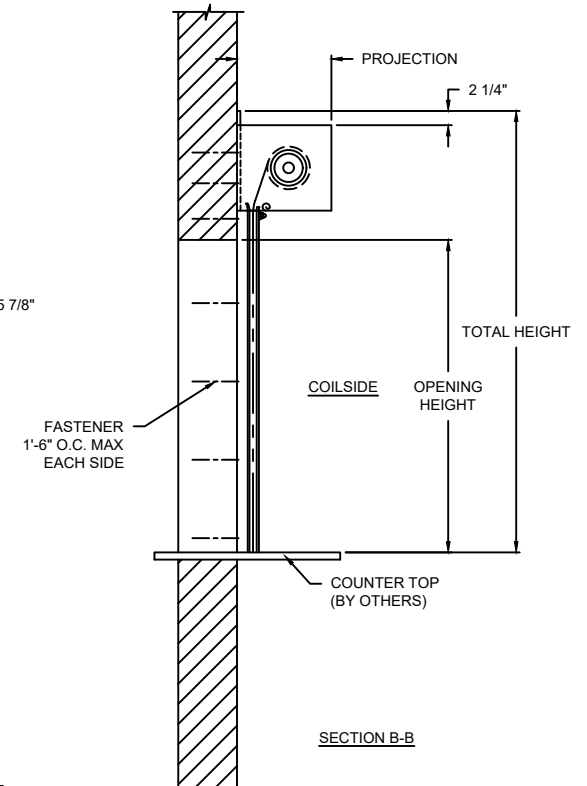
ELEVATION



OPENING WIDTH

COILSIDE

SECTION A-A



SECTION B-B

PROJECTION	
MIN.	MAX.
9.5" X 9.5"	11.5" X 11.5"

OPTIONS

OPENING WIDTH	
OPENING HEIGHT	
HEADPLATE OPTIONS	<input type="checkbox"/> SMALL <input type="checkbox"/> LARGE
GUIDE OPTIONS	<input type="checkbox"/> SMALL <input type="checkbox"/> LARGE
FIRE DOOR EQUIPMENT OPTIONS	<input type="checkbox"/> FIRE SENTINEL (LH) <input type="checkbox"/> FIRE SENTINEL (RH) <input type="checkbox"/> HOOD FLAME BAFFLE <input type="checkbox"/> HORN & STROBE <input type="checkbox"/> KEYED TEST SWITCH (LH) <input type="checkbox"/> KEYED TEST SWITCH (RH) <input type="checkbox"/> SMOKE DETECTOR

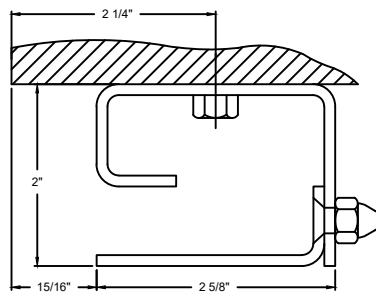
COMPONENT	MATERIAL	OPERATION	NOTES:
HOOD	24 GA. SS #4	MANUAL PUSH UP RH	- AVAILABLE WITH UL AND FM 3-HOUR (OPTIONAL) CLASS A LABELS FOR MASONRY FIRE WALLS - AVAILABLE WITH A UL 1½-HOUR CLASS B LABEL FOR APPLICATIONS IN NON-MASONRY FIRE WALLS OF DRY WALL WITH WOOD, STEEL STUDS, OR STEEL TUBE JAMBS
CURTAIN	22 GA. SS #4		
GUIDES	11 GA. SS #4		
BOTTOM BAR	SS #4		

FIRE RATED COUNTER DOOR

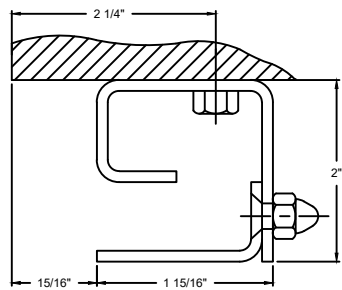
641 FIRE RATED ROLLING COUNTER DOOR - FACE MOUNT

DWG. NO.	DATE:	
SHEET	BY:	

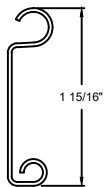
MODEL	STANDARD MAX. VALUES	
	WIDTH	HEIGHT
641	14'	11' 2"



LARGE GUIDE DETAIL



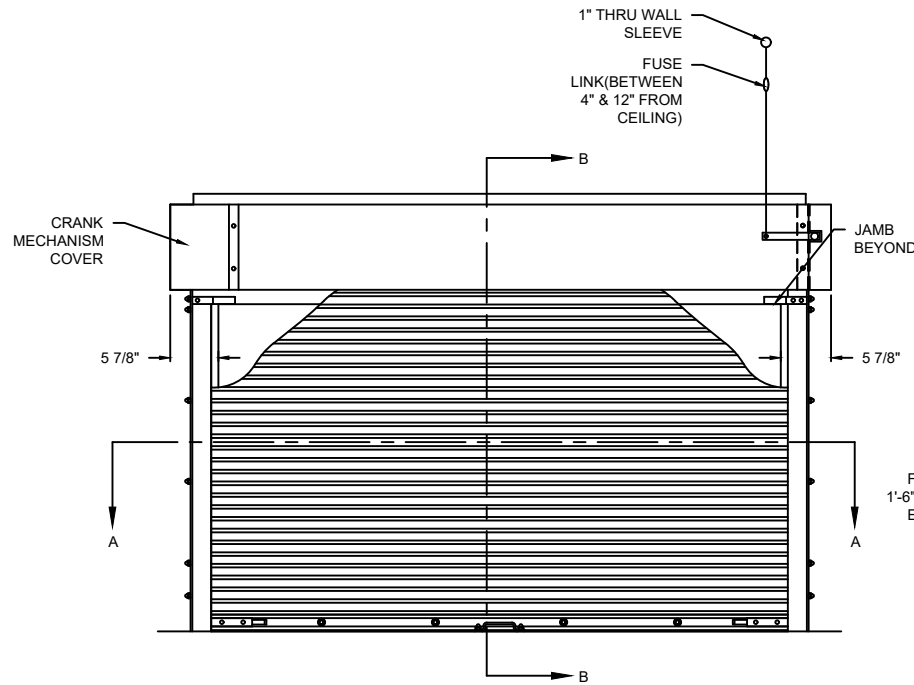
SMALL GUIDE DETAIL



F158 SLAT SECTION

OPTIONS

OPENING WIDTH	
OPENING HEIGHT	
HEADPLATE OPTIONS	<input type="checkbox"/> SMALL <input type="checkbox"/> LARGE
GUIDE OPTIONS	<input type="checkbox"/> SMALL <input type="checkbox"/> LARGE
FIRE DOOR EQUIPMENT OPTIONS	<input type="checkbox"/> FIRE SENTINEL (LH) <input type="checkbox"/> FIRE SENTINEL (RH) <input type="checkbox"/> HOOD FLAME BAFFLE <input type="checkbox"/> HORN & STROBE <input type="checkbox"/> KEYED TEST SWITCH (LH) <input type="checkbox"/> KEYED TEST SWITCH (RH) <input type="checkbox"/> SMOKE DETECTOR

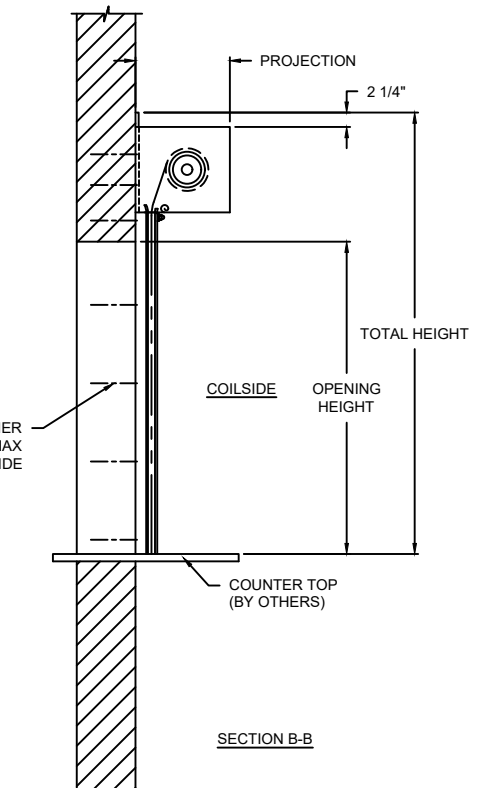


ELEVATION



COILSIDE

SECTION A-A



SECTION B-B

PROJECTION	
MIN.	MAX.
9.5" X 9.5"	11.5" X 11.5"

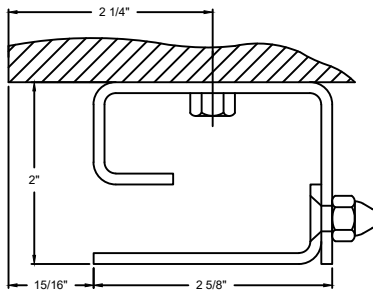
FIRE RATED COUNTER DOOR

641 FIRE RATED ROLLING COUNTER DOOR - FACE MOUNT

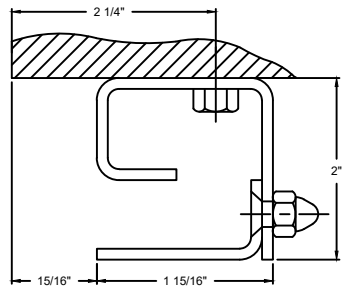
DWG. NO.	DATE:	
SHEET	BY:	

COMPONENT	MATERIAL	OPERATION	NOTES:
HOOD	24 GA. SS #4	CRANK LH	- AVAILABLE WITH UL AND FM 3-HOUR (OPTIONAL) CLASS A LABELS FOR MASONRY FIRE WALLS - AVAILABLE WITH A UL 1 1/2-HOUR CLASS B LABEL FOR APPLICATIONS IN NON-MASONRY FIRE WALLS OF DRY WALL WITH WOOD, STEEL STUDS, OR STEEL TUBE JAMBS
CURTAIN	22 GA. SS #4		
GUIDES	11 GA. SS #4		
BOTTOM BAR	SS #4		

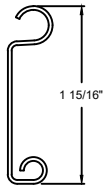
MODEL	STANDARD MAX. VALUES	
	WIDTH	HEIGHT
641	14'	11' 2"



LARGE GUIDE DETAIL



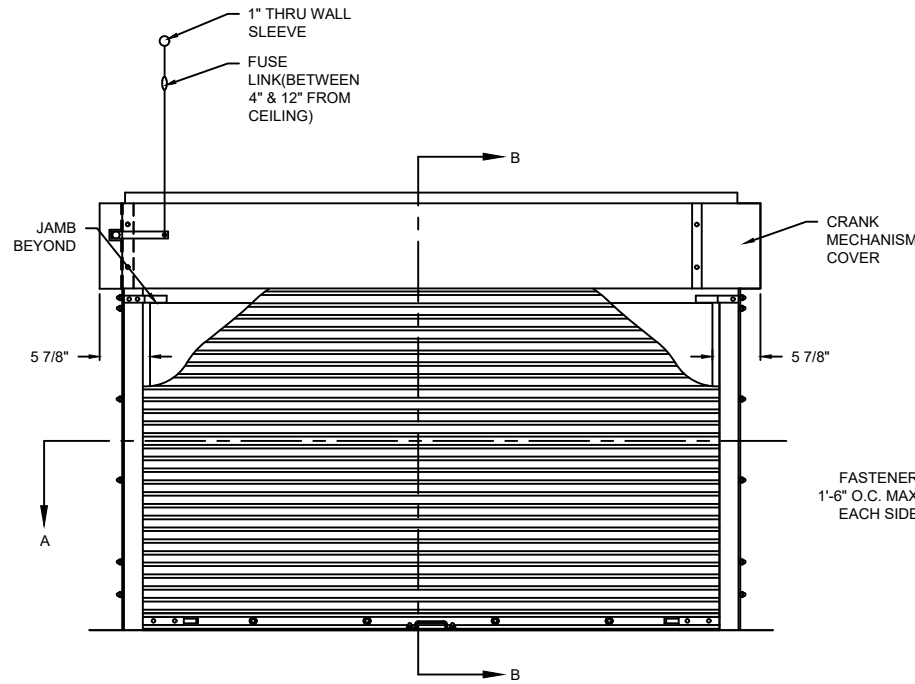
SMALL GUIDE DETAIL



F158 SLAT SECTION

OPTIONS

OPENING WIDTH	
OPENING HEIGHT	
HEADPLATE OPTIONS	<input type="checkbox"/> SMALL <input type="checkbox"/> LARGE
GUIDE OPTIONS	<input type="checkbox"/> SMALL <input type="checkbox"/> LARGE
FIRE DOOR EQUIPMENT OPTIONS	<input type="checkbox"/> FIRE SENTINEL (LH) <input type="checkbox"/> FIRE SENTINEL (RH) <input type="checkbox"/> HOOD FLAME BAFFLE <input type="checkbox"/> HORN & STROBE <input type="checkbox"/> KEYED TEST SWITCH (LH) <input type="checkbox"/> KEYED TEST SWITCH (RH) <input type="checkbox"/> SMOKE DETECTOR

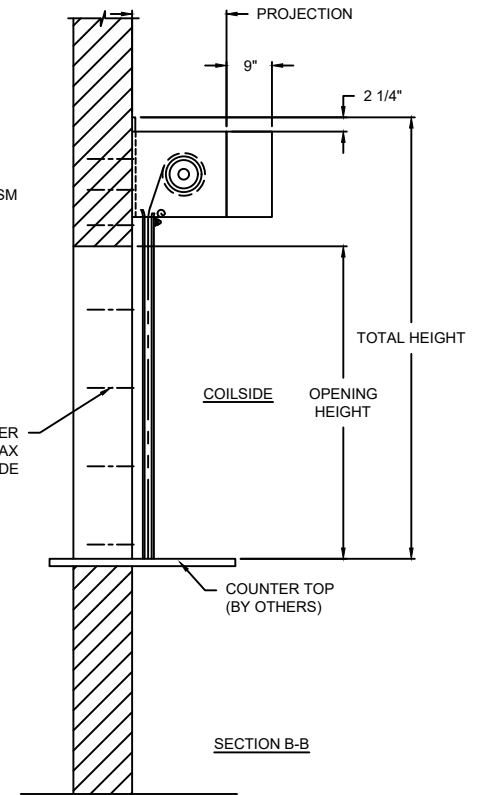


ELEVATION



COILSIDE

SECTION A-A



SECTION B-B

PROJECTION	
MIN.	MAX.
9.5" X 9.5"	11.5" X 11.5"

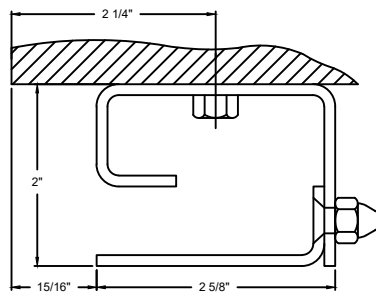
FIRE RATED COUNTER DOOR

641 FIRE RATED ROLLING COUNTER DOOR - FACE MOUNT

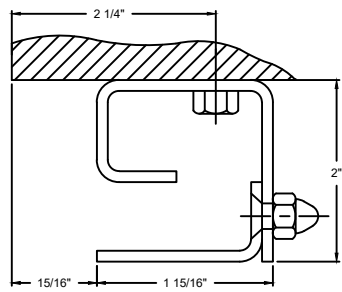
DWG. NO.	DATE:	The Genuine. The Original. OVERHEAD DOOR
SHEET	BY:	

COMPONENT	MATERIAL	OPERATION	NOTES:
HOOD	24 GA. SS #4	CRANK RH	- AVAILABLE WITH UL AND FM 3-HOUR (OPTIONAL) CLASS A LABELS FOR MASONRY FIRE WALLS - AVAILABLE WITH A UL 1 1/2-HOUR CLASS B LABEL FOR APPLICATIONS IN NON-MASONRY FIRE WALLS OF DRY WALL WITH WOOD, STEEL STUDS, OR STEEL TUBE JAMBS
CURTAIN	22 GA. SS #4		
GUIDES	11 GA. SS #4		
BOTTOM BAR	SS #4		

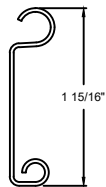
MODEL	STANDARD MAX. VALUES	
	WIDTH	HEIGHT
641	14'	11' 2"



LARGE GUIDE DETAIL



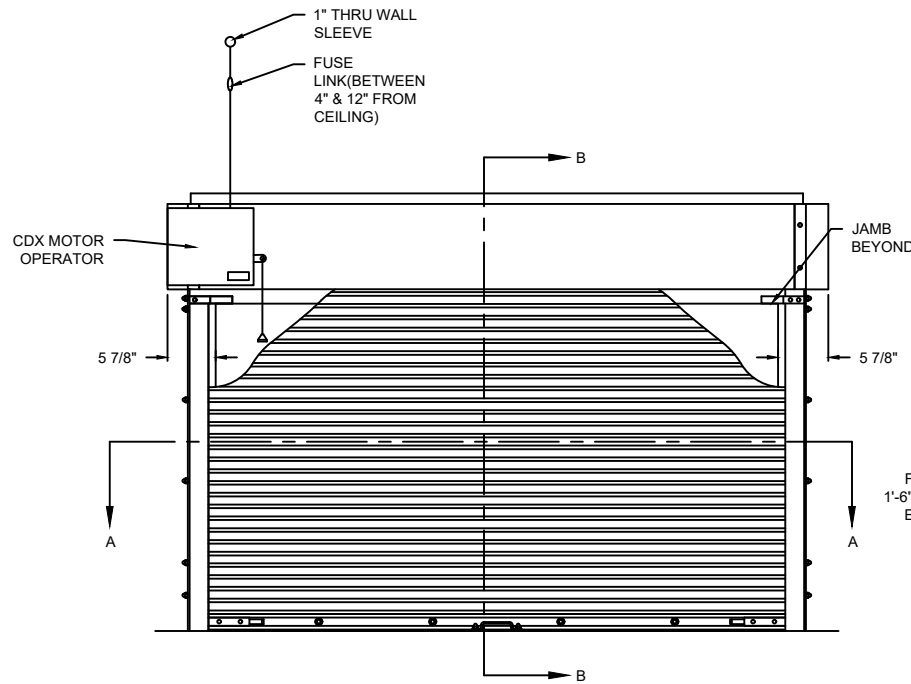
SMALL GUIDE DETAIL



F158 SLAT SECTION

OPTIONS

OPENING WIDTH	
OPENING HEIGHT	
HEADPLATE OPTIONS	<input type="checkbox"/> SMALL <input type="checkbox"/> LARGE
GUIDE OPTIONS	<input type="checkbox"/> SMALL <input type="checkbox"/> LARGE
FIRE DOOR EQUIPMENT OPTIONS	<input type="checkbox"/> FIRE SENTINEL (LH) <input type="checkbox"/> FIRE SENTINEL (RH) <input type="checkbox"/> HOOD FLAME BAFFLE <input type="checkbox"/> HORN & STROBE <input type="checkbox"/> KEYED TEST SWITCH (LH) <input type="checkbox"/> KEYED TEST SWITCH (RH) <input type="checkbox"/> SMOKE DETECTOR



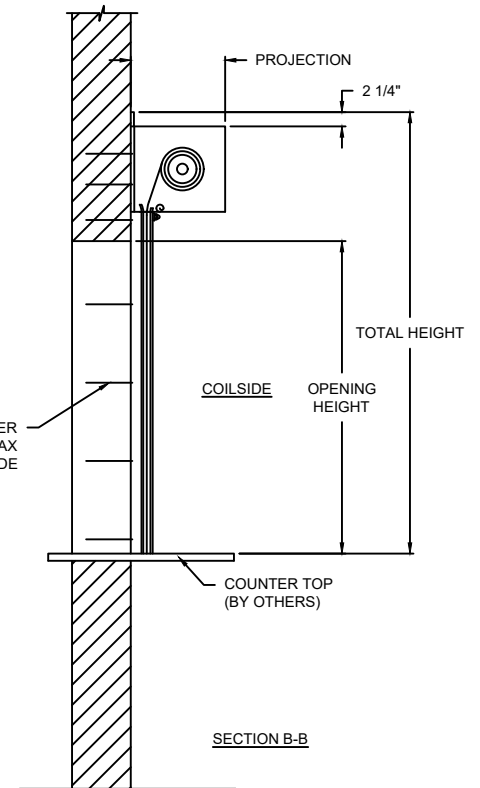
ELEVATION



OPENING WIDTH

COILSIDE

SECTION A-A



SECTION B-B

PROJECTION	
MIN.	MAX.
9.5" X 9.5"	11.5" X 11.5"

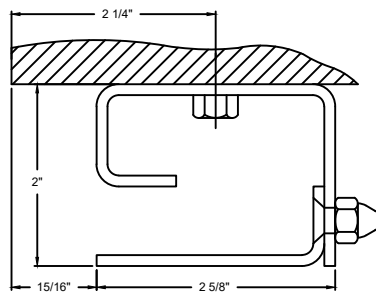
FIRE RATED COUNTER DOOR

641 FIRE RATED ROLLING COUNTER DOOR - FACE MOUNT

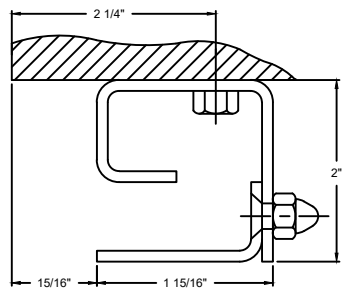
DWG. NO.	DATE:	
SHEET	BY:	

COMPONENT	MATERIAL	OPERATION	NOTES:
HOOD	24 GA. SS #4	CDX OPERATOR LH	- AVAILABLE WITH UL AND FM 3-HOUR (OPTIONAL) CLASS A LABELS FOR MASONRY FIRE WALLS - AVAILABLE WITH A UL 1 1/2-HOUR CLASS B LABEL FOR APPLICATIONS IN NON-MASONRY FIRE WALLS OF DRY WALL WITH WOOD, STEEL STUDS, OR STEEL TUBE JAMBS
CURTAIN	22 GA. SS #4		
GUIDES	11 GA. SS #4		
BOTTOM BAR	SS #4		

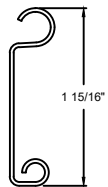
MODEL	STANDARD MAX. VALUES	
	WIDTH	HEIGHT
641	14'	11' 2"



LARGE GUIDE DETAIL



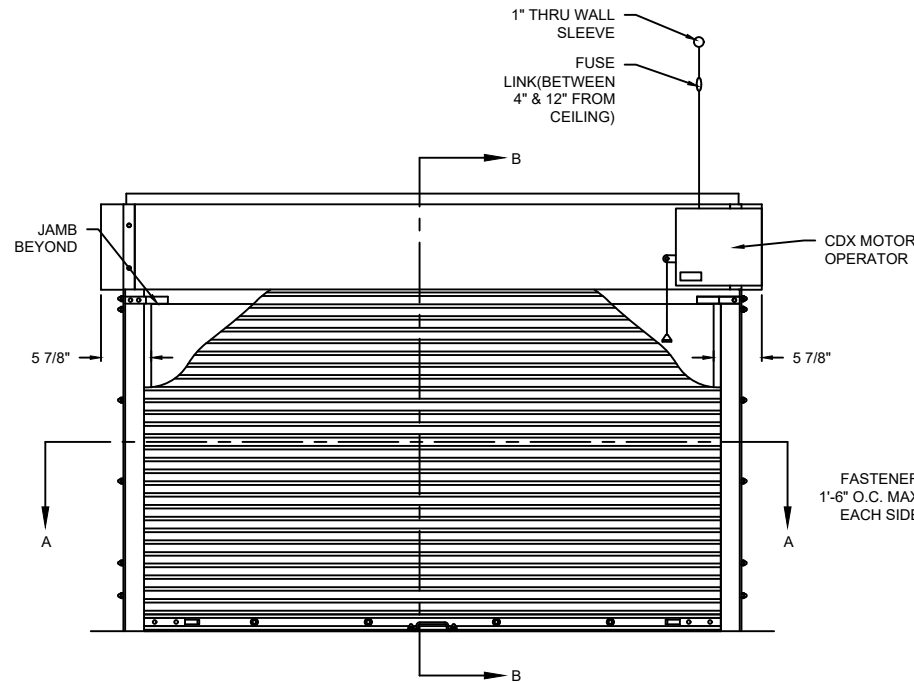
SMALL GUIDE DETAIL



F158 SLAT SECTION

OPTIONS

OPENING WIDTH	
OPENING HEIGHT	
HEADPLATE OPTIONS	<input type="checkbox"/> SMALL <input type="checkbox"/> LARGE
GUIDE OPTIONS	<input type="checkbox"/> SMALL <input type="checkbox"/> LARGE
FIRE DOOR EQUIPMENT OPTIONS	<input type="checkbox"/> FIRE SENTINEL (LH) <input type="checkbox"/> FIRE SENTINEL (RH) <input type="checkbox"/> HOOD FLAME BAFFLE <input type="checkbox"/> HORN & STROBE <input type="checkbox"/> KEYED TEST SWITCH (LH) <input type="checkbox"/> KEYED TEST SWITCH (RH) <input type="checkbox"/> SMOKE DETECTOR

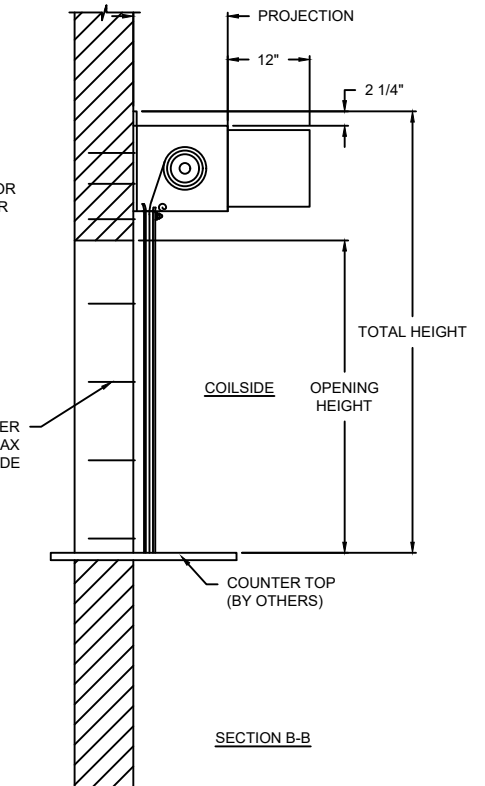


ELEVATION



COILSIDE

SECTION A-A



SECTION B-B

PROJECTION	
MIN.	MAX.
9.5" X 9.5"	11.5" X 11.5"

FIRE RATED COUNTER DOOR

641 FIRE RATED ROLLING COUNTER DOOR - FACE MOUNT

DWG. NO.	DATE:	
SHEET	BY:	

COMPONENT	MATERIAL	OPERATION	NOTES:
HOOD	24 GA. SS #4	CDX OPERATOR RH	- AVAILABLE WITH UL AND FM 3-HOUR (OPTIONAL) CLASS A LABELS FOR MASONRY FIRE WALLS - AVAILABLE WITH A UL 1 1/2-HOUR CLASS B LABEL FOR APPLICATIONS IN NON-MASONRY FIRE WALLS OF DRY WALL WITH WOOD, STEEL STUDS, OR STEEL TUBE JAMBS
CURTAIN	22 GA. SS #4		
GUIDES	11 GA. SS #4		
BOTTOM BAR	SS #4		