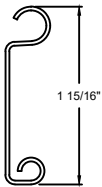
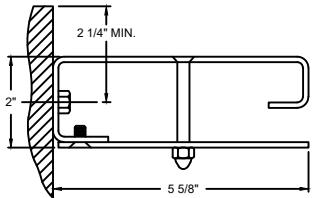


MODEL	STANDARD MAX. VALUES	
	WIDTH	HEIGHT
641	14'	11' 2"



F158 SLAT SECTION



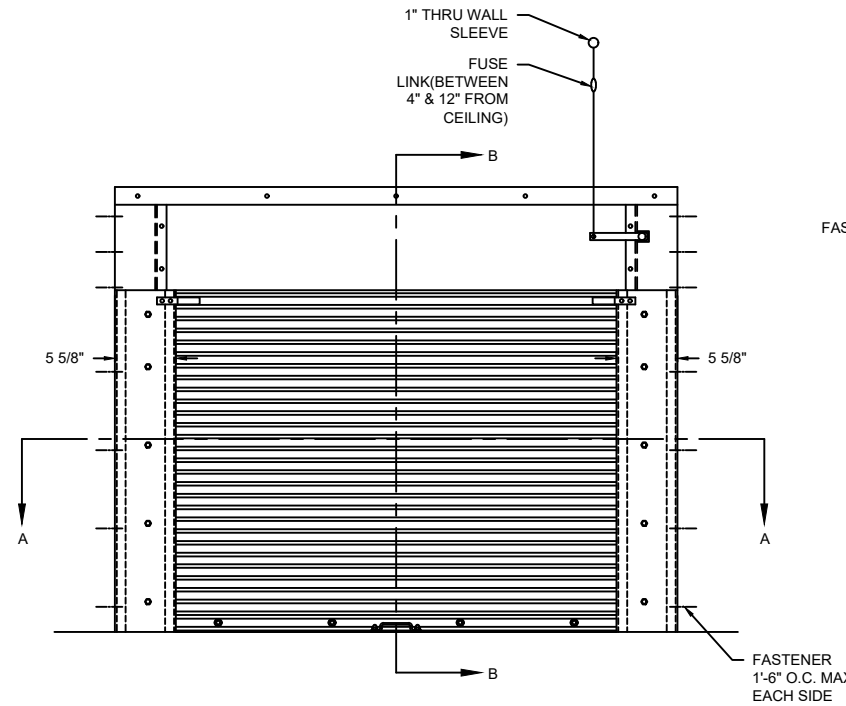
GUIDE DETAIL

OPTIONS

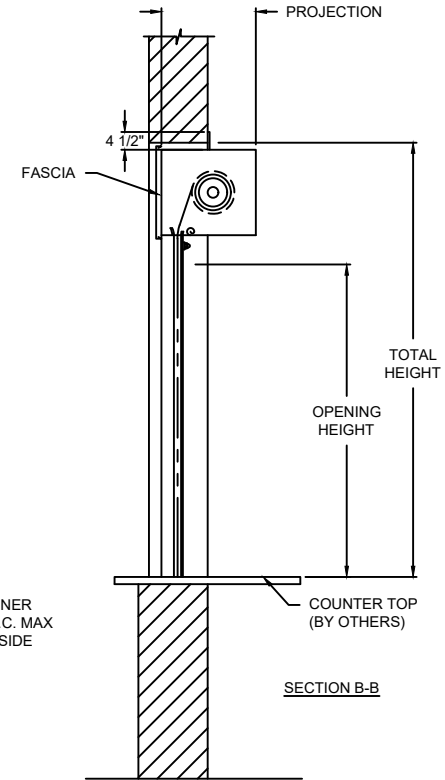
OPENING WIDTH	
OPENING HEIGHT	
HEADPLATE OPTIONS	<input type="checkbox"/> SMALL <input type="checkbox"/> LARGE
FIRE DOOR EQUIPMENT OPTIONS	<input type="checkbox"/> FIRE SENTINEL (LH) <input type="checkbox"/> FIRE SENTINEL (RH) <input type="checkbox"/> HOOD FLAME BAFFLE <input type="checkbox"/> HORN & STROBE <input type="checkbox"/> KEYED TEST SWITCH (LH) <input type="checkbox"/> KEYED TEST SWITCH (RH) <input type="checkbox"/> SMOKE DETECTOR

EXPANSION GAP CHART

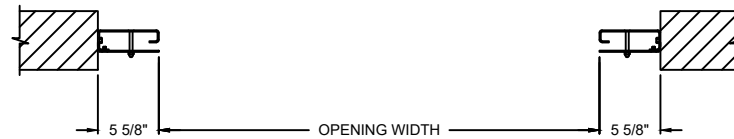
WALL OPENING HEIGHT	EXPANSION GAP
THRU - 4'-0"	3/4"
4'-1" - 6'-0"	1 1/8"
6'-1" - 8'-0"	1 1/2"
8'-1" - 10'-0"	1 7/8"
10'-1" - 11'-2 9/16"	2"



ELEVATION



SECTION B-B



SECTION A-A

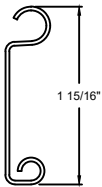
PROJECTION	
MIN.	MAX.
9.5" X 9.5"	11.5" X 11.5"

FIRE RATED COUNTER DOOR

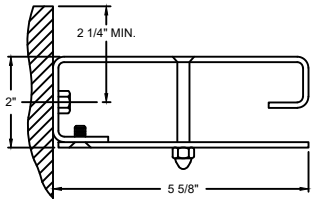
641 FIRE RATED ROLLING COUNTER DOOR - BETWEEN JAMBS

COMPONENT	MATERIAL	OPERATION	NOTES:
HOOD	24 GA. SS #4	MANUAL PUSH UP LH	- AVAILABLE WITH UL AND FM 3-HOUR (OPTIONAL) CLASS A LABELS FOR MASONRY FIRE WALLS - AVAILABLE WITH A UL 1 1/2-HOUR CLASS B LABEL FOR APPLICATIONS IN NON-MASONRY FIRE WALLS OF DRY WALL WITH WOOD, STEEL STUDS, OR STEEL TUBE JAMBS
CURTAIN	22 GA. SS #4		
GUIDES	11 GA. SS #4		
BOTTOM BAR	SS #4		

DWG. NO.	DATE:	
SHEET	BY:	



F158 SLAT SECTION



GUIDE DETAIL

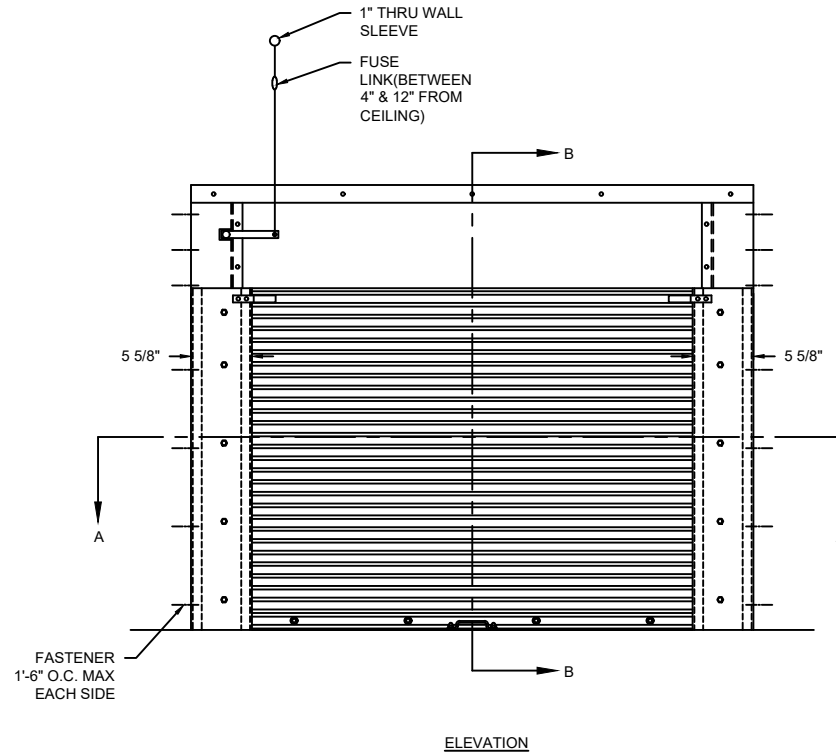
OPTIONS

OPENING WIDTH	
OPENING HEIGHT	
HEADPLATE OPTIONS	<input type="checkbox"/> SMALL <input type="checkbox"/> LARGE
FIRE DOOR EQUIPMENT OPTIONS	<input type="checkbox"/> FIRE SENTINEL (LH) <input type="checkbox"/> FIRE SENTINEL (RH) <input type="checkbox"/> HOOD FLAME BAFFLE <input type="checkbox"/> HORN & STROBE <input type="checkbox"/> KEYED TEST SWITCH (LH) <input type="checkbox"/> KEYED TEST SWITCH (RH) <input type="checkbox"/> SMOKE DETECTOR

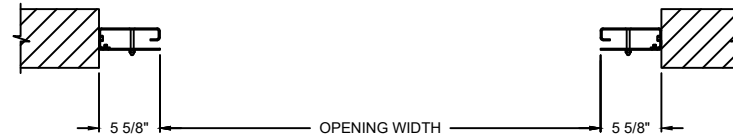
EXPANSION GAP CHART

WALL OPENING HEIGHT	EXPANSION GAP
THRU - 4'-0"	3/4"
4'-1" - 6'-0"	1 1/8"
6'-1" - 8'-0"	1 1/2"
8'-1" - 10'-0"	1 7/8"
10'-1" - 11'-2 9/16"	2"

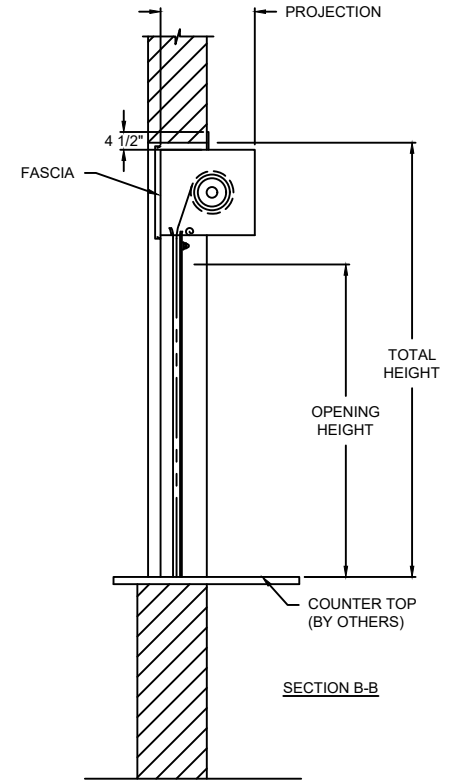
MODEL	STANDARD MAX. VALUES	
	WIDTH	HEIGHT
641	14'	11' 2"



ELEVATION



SECTION A-A



SECTION B-B

PROJECTION	
MIN.	MAX.
9.5" X 9.5"	11.5" X 11.5"

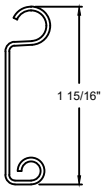
FIRE RATED COUNTER DOOR

641 FIRE RATED ROLLING COUNTER DOOR - BETWEEN JAMBS

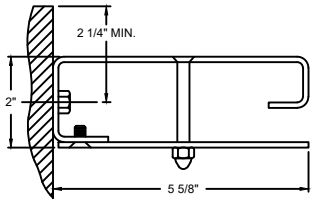
COMPONENT	MATERIAL	OPERATION	NOTES:
HOOD	24 GA. SS #4	MANUAL PUSH UP RH	- AVAILABLE WITH UL AND FM 3-HOUR (OPTIONAL) CLASS A LABELS FOR MASONRY FIRE WALLS - AVAILABLE WITH A UL 1 1/2-HOUR CLASS B LABEL FOR APPLICATIONS IN NON-MASONRY FIRE WALLS OF DRY WALL WITH WOOD, STEEL STUDS, OR STEEL TUBE JAMBS
CURTAIN	22 GA. SS #4		
GUIDES	11 GA. SS #4		
BOTTOM BAR	SS #4		

DWG. NO.	DATE:	
SHEET	BY:	

MODEL	STANDARD MAX. VALUES	
	WIDTH	HEIGHT
641	14'	11' 2"



F158 SLAT SECTION



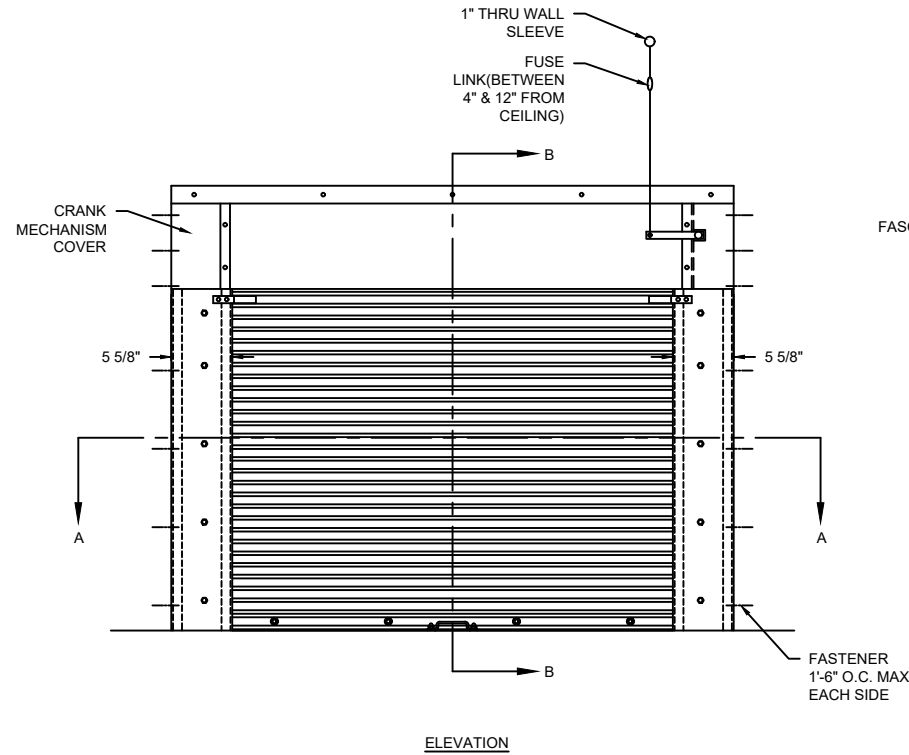
GUIDE DETAIL

OPTIONS

OPENING WIDTH	
OPENING HEIGHT	
HEADPLATE OPTIONS	<input type="checkbox"/> SMALL <input type="checkbox"/> LARGE
FIRE DOOR EQUIPMENT OPTIONS	<input type="checkbox"/> FIRE SENTINEL (LH) <input type="checkbox"/> FIRE SENTINEL (RH) <input type="checkbox"/> HOOD FLAME BAFFLE <input type="checkbox"/> HORN & STROBE <input type="checkbox"/> KEYED TEST SWITCH (LH) <input type="checkbox"/> KEYED TEST SWITCH (RH) <input type="checkbox"/> SMOKE DETECTOR

EXPANSION GAP CHART

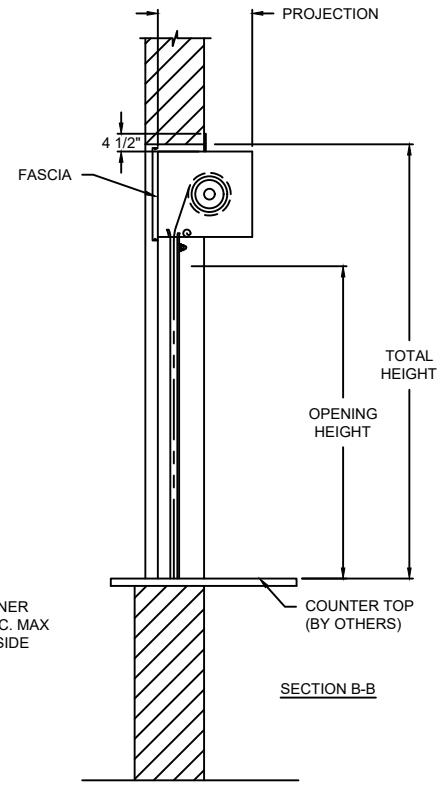
WALL OPENING HEIGHT	EXPANSION GAP
THRU - 4'-0"	3/4"
4'-1" - 6'-0"	1 1/8"
6'-1" - 8'-0"	1 1/2"
8'-1" - 10'-0"	1 7/8"
10'-1" - 11'-2 9/16"	2"



ELEVATION



SECTION A-A



SECTION B-B

PROJECTION	
MIN.	MAX.
9.5" X 9.5"	11.5" X 11.5"

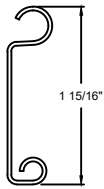
FIRE RATED COUNTER DOOR

641 FIRE RATED ROLLING COUNTER DOOR - BETWEEN JAMBS

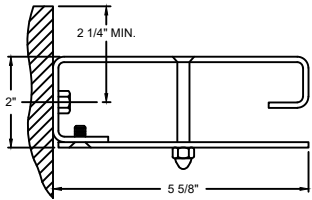
COMPONENT	MATERIAL	OPERATION	NOTES:
HOOD	24 GA. SS #4	CRANK LH	- AVAILABLE WITH UL AND FM 3-HOUR (OPTIONAL) CLASS A LABELS FOR MASONRY FIRE WALLS - AVAILABLE WITH A UL 1 1/2-HOUR CLASS B LABEL FOR APPLICATIONS IN NON-MASONRY FIRE WALLS OF DRY WALL WITH WOOD, STEEL STUDS, OR STEEL TUBE JAMBS
CURTAIN	22 GA. SS #4		
GUIDES	11 GA. SS #4		
BOTTOM BAR	SS #4		

DWG. NO.	DATE:	
SHEET	BY:	

MODEL	STANDARD MAX. VALUES	
	WIDTH	HEIGHT
641	14'	11' 2"



F158 SLAT SECTION



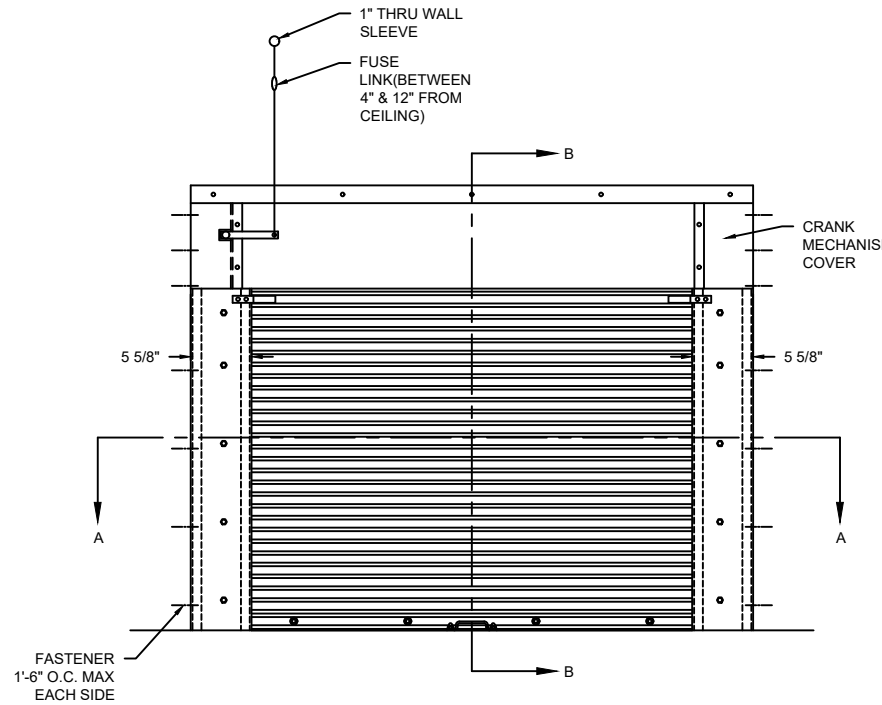
GUIDE DETAIL

OPTIONS

OPENING WIDTH	
OPENING HEIGHT	
HEADPLATE OPTIONS	<input type="checkbox"/> SMALL <input type="checkbox"/> LARGE
FIRE DOOR EQUIPMENT OPTIONS	<input type="checkbox"/> FIRE SENTINEL (LH) <input type="checkbox"/> FIRE SENTINEL (RH) <input type="checkbox"/> HOOD FLAME BAFFLE <input type="checkbox"/> HORN & STROBE <input type="checkbox"/> KEYED TEST SWITCH (LH) <input type="checkbox"/> KEYED TEST SWITCH (RH) <input type="checkbox"/> SMOKE DETECTOR

EXPANSION GAP CHART

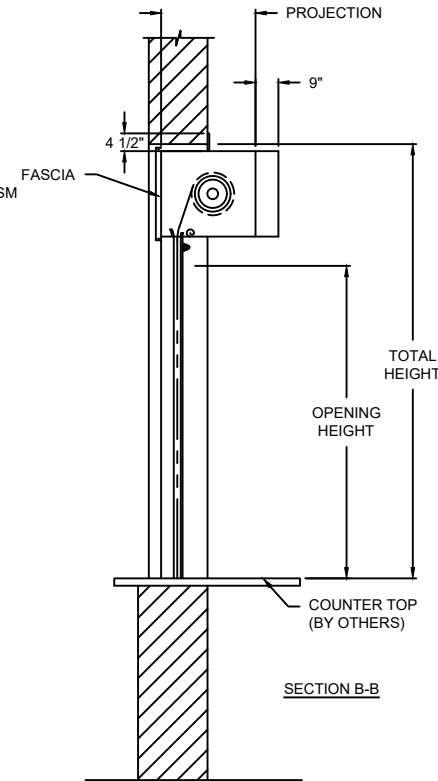
WALL OPENING HEIGHT	EXPANSION GAP
THRU - 4'-0"	3/4"
4'-1" - 6'-0"	1 1/8"
6'-1" - 8'-0"	1 1/2"
8'-1" - 10'-0"	1 7/8"
10'-1" - 11'-2 9/16"	2"



ELEVATION



SECTION A-A



SECTION B-B

PROJECTION	
MIN.	MAX.
9.5" X 9.5"	11.5" X 11.5"

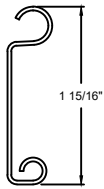
FIRE RATED COUNTER DOOR

641 FIRE RATED ROLLING COUNTER DOOR - BETWEEN JAMBS

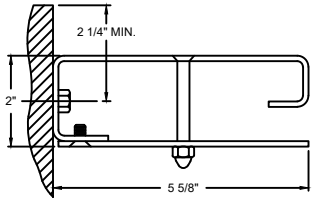
COMPONENT	MATERIAL	OPERATION	NOTES:
HOOD	24 GA. SS #4	CRANK RH	- AVAILABLE WITH UL AND FM 3-HOUR (OPTIONAL) CLASS A LABELS FOR MASONRY FIRE WALLS - AVAILABLE WITH A UL 1 1/2-HOUR CLASS B LABEL FOR APPLICATIONS IN NON-MASONRY FIRE WALLS OF DRY WALL WITH WOOD, STEEL STUDS, OR STEEL TUBE JAMBS
CURTAIN	22 GA. SS #4		
GUIDES	11 GA. SS #4		
BOTTOM BAR	SS #4		

DWG. NO.	DATE:	
SHEET	BY:	

MODEL	STANDARD MAX. VALUES	
	WIDTH	HEIGHT
641	14'	11' 2"



F158 SLAT SECTION



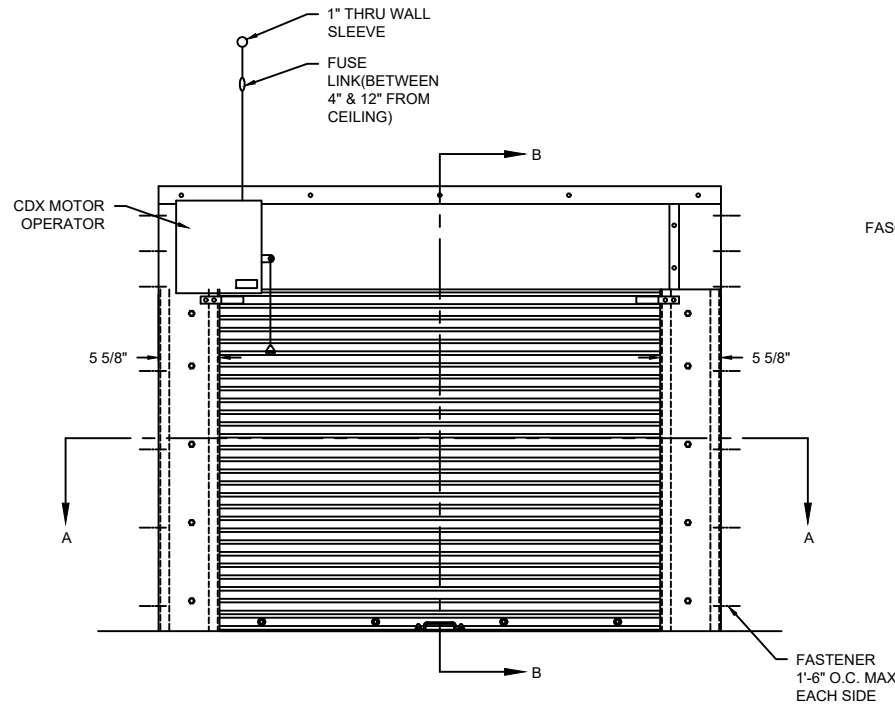
GUIDE DETAIL

OPTIONS

OPENING WIDTH	
OPENING HEIGHT	
HEADPLATE OPTIONS	<input type="checkbox"/> SMALL <input type="checkbox"/> LARGE
FIRE DOOR EQUIPMENT OPTIONS	<input type="checkbox"/> FIRE SENTINEL (LH)
	<input type="checkbox"/> FIRE SENTINEL (RH)
	<input type="checkbox"/> HOOD FLAME BAFFLE
	<input type="checkbox"/> HORN & STROBE
	<input type="checkbox"/> KEYED TEST SWITCH (LH)
	<input type="checkbox"/> KEYED TEST SWITCH (RH)
	<input type="checkbox"/> SMOKE DETECTOR

EXPANSION GAP CHART

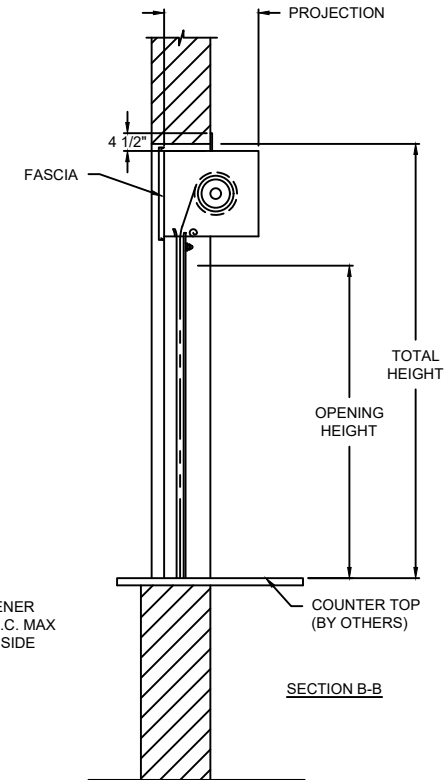
WALL OPENING HEIGHT	EXPANSION GAP
THRU - 4'-0"	3/4"
4'-1" - 6'-0"	1 1/8"
6'-1" - 8'-0"	1 1/2"
8'-1" - 10'-0"	1 7/8"
10'-1" - 11'-2 9/16"	2"



ELEVATION



SECTION A-A



SECTION B-B

PROJECTION	
MIN.	MAX.
9.5" X 9.5"	11.5" X 11.5"

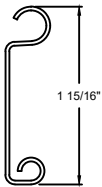
FIRE RATED COUNTER DOOR

641 FIRE RATED ROLLING COUNTER DOOR - BETWEEN JAMBS

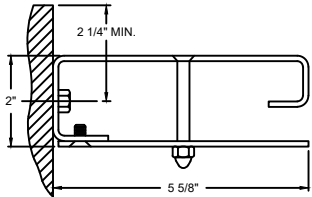
COMPONENT	MATERIAL	OPERATION	NOTES:
HOOD	24 GA. SS #4	CDX OPERATOR LH	- AVAILABLE WITH UL AND FM 3-HOUR (OPTIONAL) CLASS A LABELS FOR MASONRY FIRE WALLS - AVAILABLE WITH A UL 1 1/2-HOUR CLASS B LABEL FOR APPLICATIONS IN NON-MASONRY FIRE WALLS OF DRY WALL WITH WOOD, STEEL STUDS, OR STEEL TUBE JAMBS
CURTAIN	22 GA. SS #4		
GUIDES	11 GA. SS #4		
BOTTOM BAR	SS #4		

DWG. NO.	DATE:	The Genuine. The Original.
SHEET	BY:	

MODEL	STANDARD MAX. VALUES	
	WIDTH	HEIGHT
641	14'	11' 2"



F158 SLAT SECTION



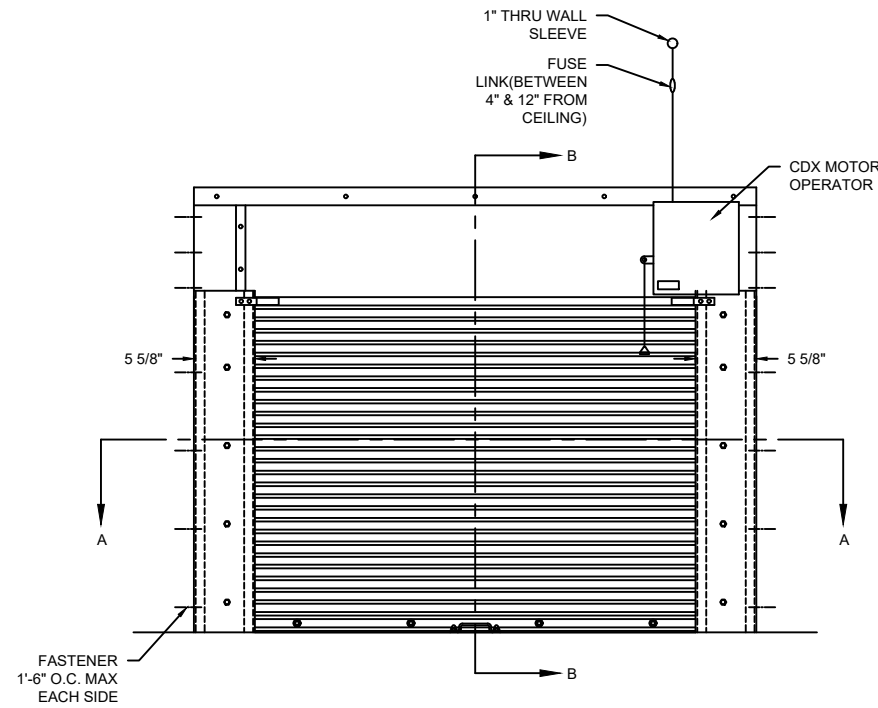
GUIDE DETAIL

OPTIONS

OPENING WIDTH	
OPENING HEIGHT	
HEADPLATE OPTIONS	<input type="checkbox"/> SMALL <input type="checkbox"/> LARGE
FIRE DOOR EQUIPMENT OPTIONS	<input type="checkbox"/> FIRE SENTINEL (LH) <input type="checkbox"/> FIRE SENTINEL (RH) <input type="checkbox"/> HOOD FLAME BAFFLE <input type="checkbox"/> HORN & STROBE <input type="checkbox"/> KEYED TEST SWITCH (LH) <input type="checkbox"/> KEYED TEST SWITCH (RH) <input type="checkbox"/> SMOKE DETECTOR

EXPANSION GAP CHART

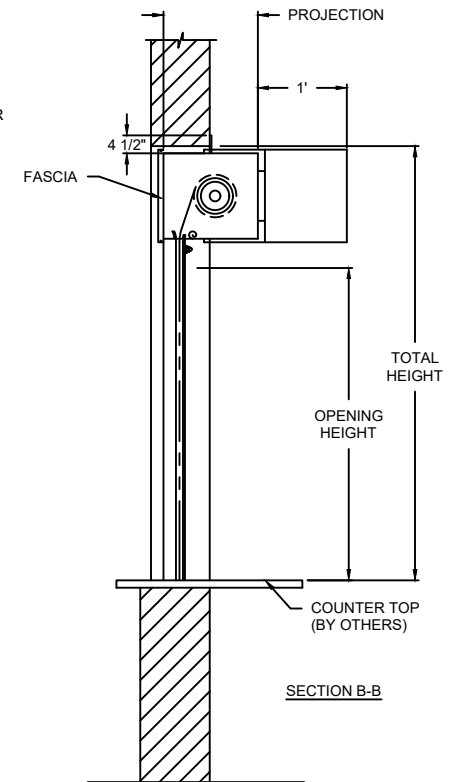
WALL OPENING HEIGHT	EXPANSION GAP
THRU - 4'-0"	3/4"
4'-1" - 6'-0"	1 1/8"
6'-1" - 8'-0"	1 1/2"
8'-1" - 10'-0"	1 7/8"
10'-1" - 11'-2 9/16"	2"



ELEVATION



SECTION A-A



SECTION B-B

PROJECTION	
MIN.	MAX.
9.5" X 9.5"	11.5" X 11.5"

FIRE RATED COUNTER DOOR

641 FIRE RATED ROLLING COUNTER DOOR - BETWEEN JAMBS

COMPONENT	MATERIAL	OPERATION	NOTES:
HOOD	24 GA. SS #4	CDX OPERATOR RH	- AVAILABLE WITH UL AND FM 3-HOUR (OPTIONAL) CLASS A LABELS FOR MASONRY FIRE WALLS - AVAILABLE WITH A UL 1 1/2-HOUR CLASS B LABEL FOR APPLICATIONS IN NON-MASONRY FIRE WALLS OF DRY WALL WITH WOOD, STEEL STUDS, OR STEEL TUBE JAMBS
CURTAIN	22 GA. SS #4		
GUIDES	11 GA. SS #4		
BOTTOM BAR	SS #4		

DWG. NO.	DATE:	
SHEET	BY:	