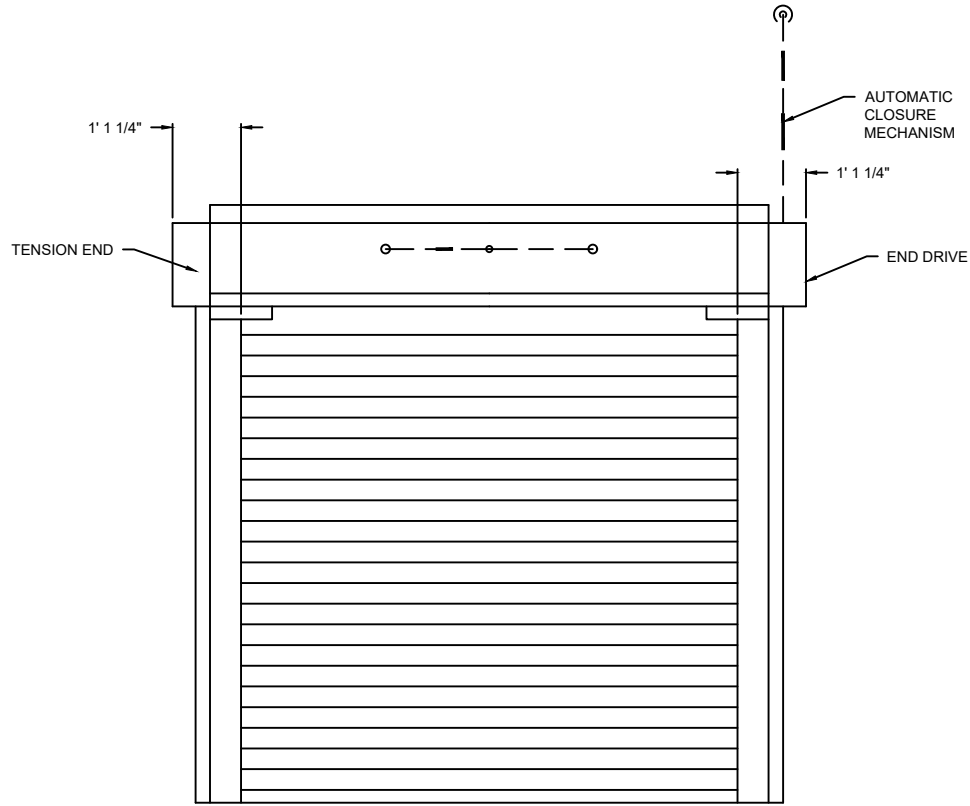


F265i SLAT SECTION

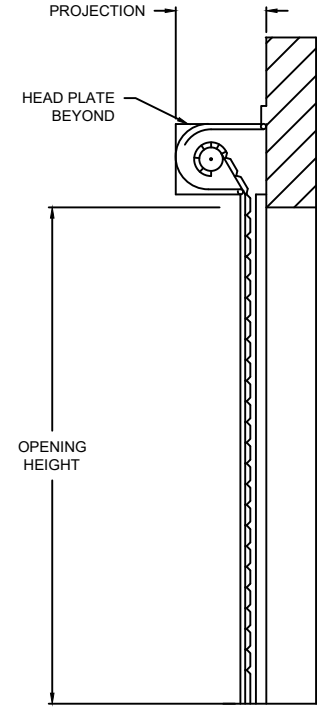
MODEL	STANDARD MAX. VALUES	
	WIDTH	HEIGHT
635	41' 2"	25' 4"

OPTIONS

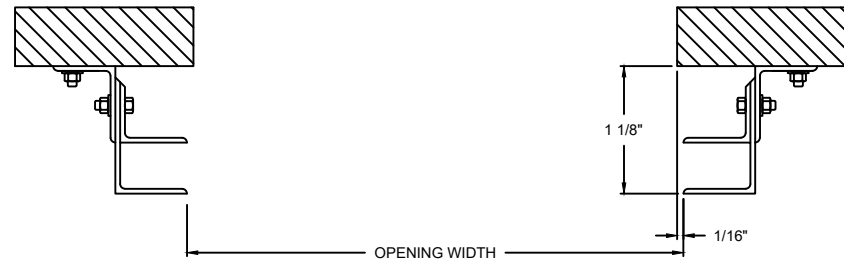
OPENING WIDTH	
OPENING HEIGHT	
OPERATION OPTION	<input type="checkbox"/> PUSH-UP <input type="checkbox"/> CHAIN HOIST <input type="checkbox"/> CRANK <input type="checkbox"/> ELECTRIC MOTOR



ELEVATION



SECTION B-B



SECTION A-A

PROJECTION	
MIN.	MAX.
14" X 16"	26" X 28"

FIREKING®

635 FIRE RATED ROLLING SERVICE DOOR - FACE MOUNT

COMPONENT	MATERIAL	OPERATION	NOTES:
CURTAIN	PAINTED GALVANIZED / STAINLESS STEEL	MANUAL PUSH UP	- WARRANTY: 2-YEAR MATERIAL AND WORKMANSHIP
GUIDES	STEEL ANGLES		
BOTTOM BAR	STEEL DOUBLE ANGLE		

DWG. NO.	DATE:	
SHEET	BY:	