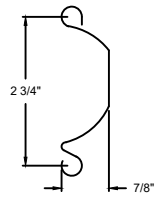
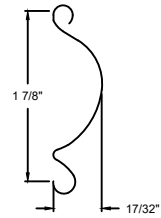


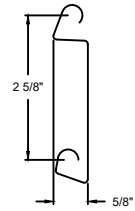
MODEL	STANDARD MAX. VALUES	
	WIDTH	HEIGHT
630	41' 2"	25' 4"



C275 SLAT SECTION



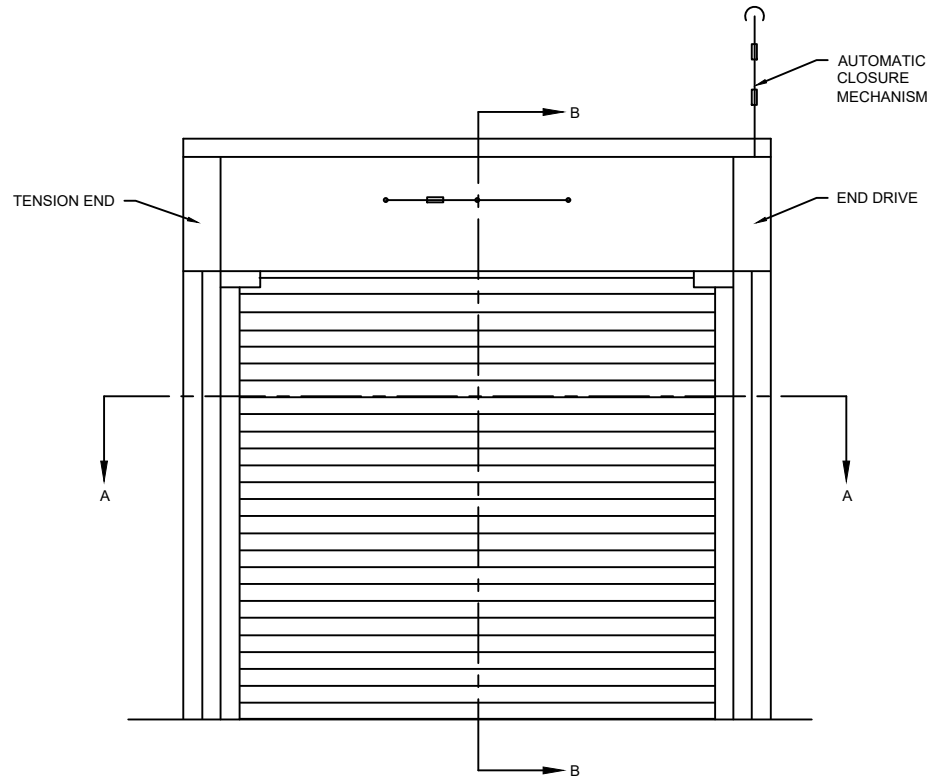
C187 SLAT SECTION



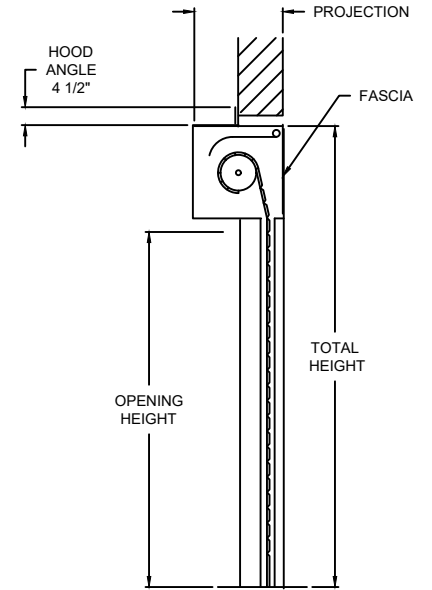
F265 SLAT SECTION

OPTIONS

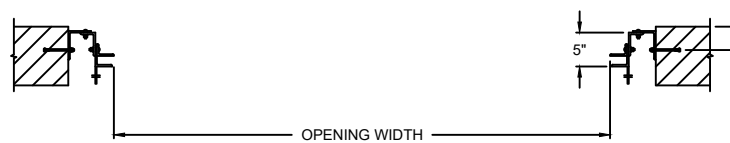
OPENING WIDTH	
OPENING HEIGHT	
SLAT OPTION	<input type="checkbox"/> C275 <input type="checkbox"/> C187 <input type="checkbox"/> F265
OPERATION OPTION	<input type="checkbox"/> PUSH-UP <input type="checkbox"/> CHAIN HOIST <input type="checkbox"/> CRANK <input type="checkbox"/> ELECTRIC MOTOR



ELEVATION



SECTION B-B



SECTION A-A

PROJECTION	
MIN.	MAX.
14" X 16"	26" X 28"

FIREKING®

630 FIRE RATED ROLLING SERVICE DOOR - BETWEEN JAMBS

DWG. NO.	DATE:	The Genuine. The Original.
SHEET	BY:	

COMPONENT	MATERIAL	OPERATION	NOTES:
CURTAIN	PAINTED GALVANIZED / STAINLESS STEEL	MANUAL PUSH UP	- WARRANTY: 2-YEAR LIMITED; 3-YEAR/20,000 CYCLES LIMITED ON OVERHEAD DOOR™ DOOR AND OPERATOR SYSTEM (WHEN PURCHASED TOGETHER)
GUIDES	STEEL ANGLES		
BOTTOM BAR	STEEL DOUBLE ANGLE		