

630/631
634/635

FIREKING®



ROLLING FIRE DOOR COLLECTION



FIRE PROTECTION.
INNOVATIVE DESIGN.
OPTIMIZED PERFORMANCE.



INDUSTRY LEADING
COMMERCIAL & INDUSTRIAL SOLUTIONS



Standard features at a glance

Technical data

Application	Exterior/Interior for fire rated walls
Operation	Non-motorized, mechanical floor resettable hoist with viscous governor
Mounting	Face of wall (between jambs optional on 630,631,635)
Models	630 – Standard fire door 631 – Basic fire door 634 – Fire door up to 24'x24'; 4 hour rating UL 635 – Insulated fire door
Drop speed	Meets NFPA 80 requirements of 6" to 24" per second

Curtain

Material	Steel slats in a variety of gauges
Finish	Baked-on polyester top coat in Gray, Tan, White or Brown
Guides	Three steel angles (some use structural and some are roll formed)
Bottom bar	Steel double angle

Counterbalance system

Counterbalance	High tensile helical torsion spring housed in a steel tube or pipe
Brackets	Steel plates to support counterbalance, curtain and hood

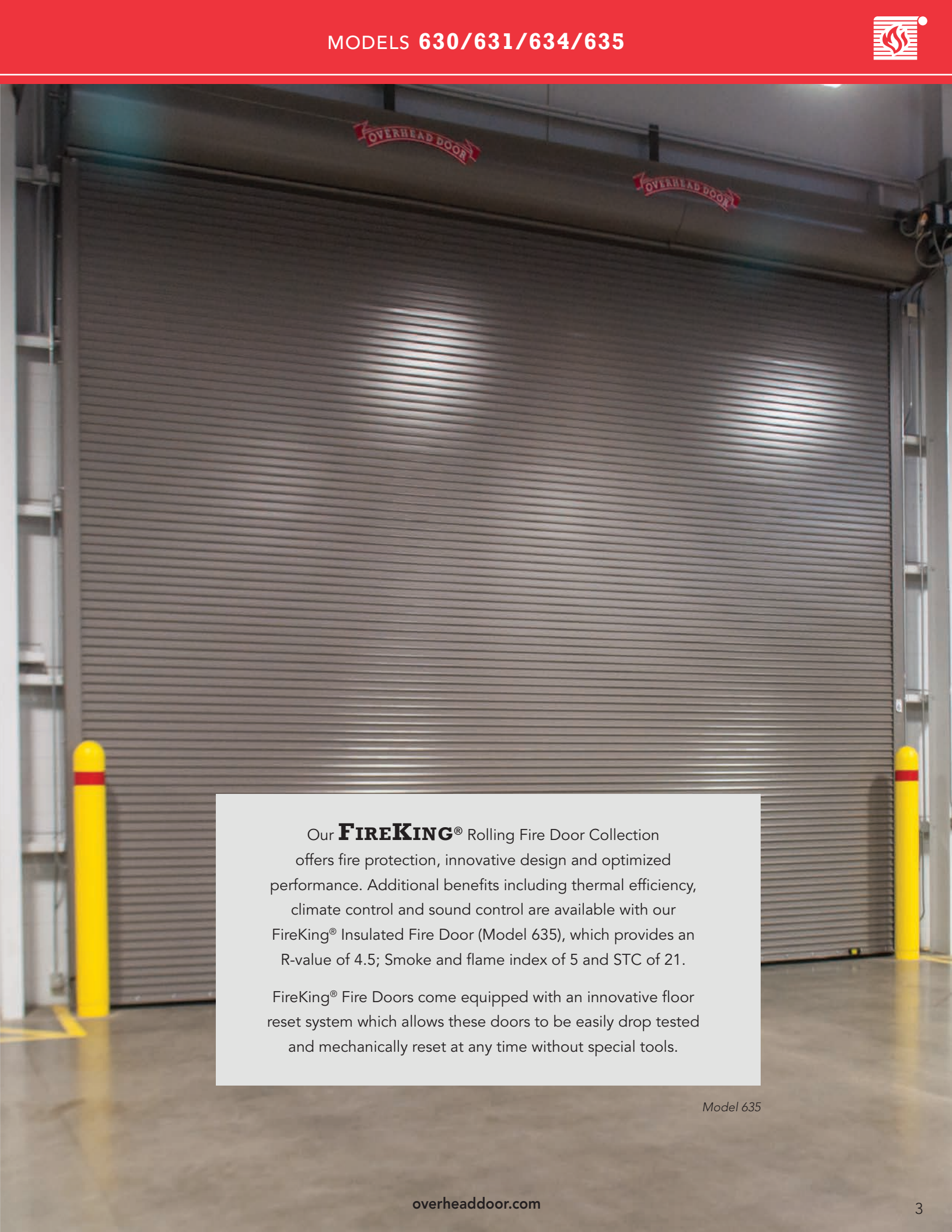
Limited warranty

2-Year Limited;
3-Year/20,000 Cycles Limited on Overhead Door™ door and operator system (when purchased together)

Options

- Between jamb mount (630, 631, 635)
- Fire Sentinel® time-delay release device
- FireLite® vision lite (Flat and insulated slats only with a max of 4 per door)
- Smoke detectors and heat detectors
- UL-listed brush-type smoke seals "S" label (flat or insulated slats only)
- Flame baffle system - an FM requirement
- UL, ULC and FM labels available
- Horns and horns with strobes
- Tension release: push-up or crank, electric motor: RHX® or RSX®
- Non-tension hoist or electric motor: RSX® FDO or RHX® FK
- Stainless or galvanized steel: curtain, hood, guides, bottom bar
- Slide bolts, cylinder locks, interlocks
- Wind load options to include: Florida Building Code (FBC), Miami-Dade, Texas Department of Insurance (TDI)
- PowderGuard® Premium powder coat in approximately 200 RAL standard colors or color-matched to specification
- PowderGuard® Zinc and PowderGuard® Textured finishes

Cover image: Model 630 with C187 slats, Gray powder coat finish
Image above: Model 630 with C187 slats



Our **FIREKING**[®] Rolling Fire Door Collection offers fire protection, innovative design and optimized performance. Additional benefits including thermal efficiency, climate control and sound control are available with our FireKing[®] Insulated Fire Door (Model 635), which provides an R-value of 4.5; Smoke and flame index of 5 and STC of 21.

FireKing[®] Fire Doors come equipped with an innovative floor reset system which allows these doors to be easily drop tested and mechanically reset at any time without special tools.

Model 635

Fire door selection chart

Series	630	631	634	635
Label				
UL/ULC/FM 1½ or 3 hr	Up to 13'6" (4,115 mm) width/height, max. 152 sf (14.121 sm)	Up to 13'6" (4,115 mm) width/height, max. 152 sf (14.121 sm)		Up to 13'6" (4,115 mm) width/height, max. 152 sf (14.121 sm)
UL 4 hr	Up to 13'6" (4,115 mm) width/height, max. 152 sf (14.121 sm)	Up to 13'6" (4,115 mm) width/height, max. 152 sf (14.121 sm)	Up to 13'6" (4,115 mm) width/height, max. 152 sf (14.121 sm) FM 4 hour is an option	Up to 13'6" (4,115 mm) width/height, max. 152 sf (14.121 sm)
UL oversized door	Over 152 sf (14.121 sm)	Over 152 sf (14.121 sm)	Over 152 sf (14.121 sm)	Over 152 sf (14.121 sm)
FM (optional) oversized door	Over 152 sf (14.121 sm), but less than 18' (5,486 mm) height or width. Over 18' must be certified by FM*		Over 152 sf (14.121 sm), but less than 18' (5,486 mm) height or width. Over 18' must be certified by FM*	Over 152 sf (14.121 sm), but less than 18' (5,486 mm high)*
Applications				
Masonry/steel	●	●	●	●
Non-masonry	●	●		●
Standard				
Maximum width	41'2" (12,548 mm)	14' (4,267 mm)	41'2" (12,548 mm)	24' (7,351 mm)
Maximum height	25'4" (7,722 mm)	12' (3,658 mm)	25'4" (7,722 mm)	24' (7,351 mm)
Curtain material	Painted galvanized steel/stainless steel	Painted galvanized steel	Painted galvanized steel/stainless steel	Painted galvanized steel/stainless steel
R-value**				4.5
Sound transmission class				21 STC†
Finish color	Gray/Tan/White/Brown	Gray/Tan/White/Brown	Gray/Tan/White/Brown	Gray/Tan/White/Brown
Available Options				
Fire Sentinel® time-delay release device	●	●	●	●
Smoke detectors	●	●	●	●
FireLite® vision lites	●	●	●	●
UL listed brush-type smoke seals	●	●	●	●
Windload (FBC, TDI, MiamiDade)	●		●	●
Operation options				
Push-up	Up to 80 sf (7.43 sm)	Up to 80 sf (7.43 sm)	Up to 80 sf (7.43 sm)	
Chain hoist	●	●	●	●
Crank	●	●	●	●
Electric motor	●	●	●	●
Locking option				
Slide locks or cylinder locking bottom bar w/mortise cylinder	●	●	●	●
Finish options				
Approximately 200 powder coat premium colors	●	●	●	●

* FM reviews designs for openings over 18' (5,486 mm) wide
Information is subject to change. Please call your local Overhead Door™ Distributor for special applications or if your application is not listed. All 635 Series doors are chain hoist minimum.

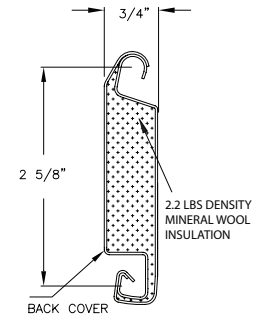
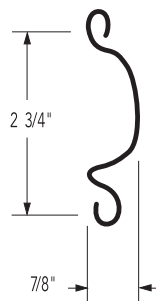
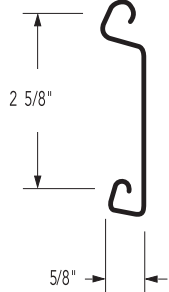
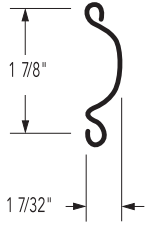
** R-value: Overhead Door Corporation uses a calculated door section R-value for our insulated doors.

† Sound transmission classification.



Slat data

C-187 slat F-265 slat C-275 slat F-265i slat



630 Face-of-wall mounted (between jambs optional)

Slat	Opening width	Standard	Optional
C-187	Thru 14'0" (4,267 mm)	22 ga. steel	20 ga. steel or 22 ga. ss
	Thru 20'0" (6,096 mm)	20 ga. steel	18 ga. steel or 20 ga. ss
	Thru 14'0" (4,267 mm)		22, 20, 18, 16 ga. steel or 22, 20 ga. ss
C-275	Thru 20'0" (6,096 mm)		20, 18, 16 ga. steel or 20 ga. ss
	Thru 41'2" (12,548 mm)		18, 16 ga. steel
	Thru 14'0" (4,267 mm)		22, 20 ga. steel or 22 ga. ss
F-265	Thru 20'0" (6,096 mm)		20, 18 ga. steel or 20 ga. ss
	Thru 41'2" (12,548 mm)		18 ga. steel

631 Face-of-wall mounted (between jambs optional)

Slat	Opening width	Standard	Optional
C-187	Thru 14'0" (4,267 mm)	24 ga. steel	
F265	Thru 14'0" (4,267 mm)		24 ga. steel

634 Face-of-wall mounted

Slat	Opening width	Standard	Optional
C-187	Thru 20'0" (6,096 mm)	20 ga. steel	18 ga. steel or 20 ga. ss
	Thru 20'0" (6,096 mm)		20, 18 ga. steel or 20 ga. ss
C275	Thru 41'2" (12,548 mm)		18, 16 ga. steel
	Thru 20'0" (6,096 mm)		20, 18 ga. steel or 20 ga. ss
F265	Thru 41'2" (12,548 mm)		18 ga. steel

635 Face-of-wall mounted (between jambs optional)

Slat	Opening width	Standard	Optional
F265 with back cover	Thru 24'0" (7,315 mm)	24 ga. steel front 24 ga. steel back	22 ga. steel front 24 ga. steel back; 22 ga. ss front 24 ga. ss back;

Slats are galvanized and painted or stainless steel (ss).
Note: Maximum wall opening height for 22 ga. is 12'0" (3658 mm).

Maximum insulation

The mineral wool insulation material used in FireKing® insulated fire doors is compressed within the steel slat, completely and uniformly filling the slat for maximum insulation. Overhead Door™ products provide consistent quality in design and performance.

Color options



PowderGuard® Premium powder coat paint finish is available in approximately 200 RAL colors, or may be color matched to architect's specifications to best complement the look of the facility. PowderGuard® Zinc and PowderGuard® Textured finishes are also available.

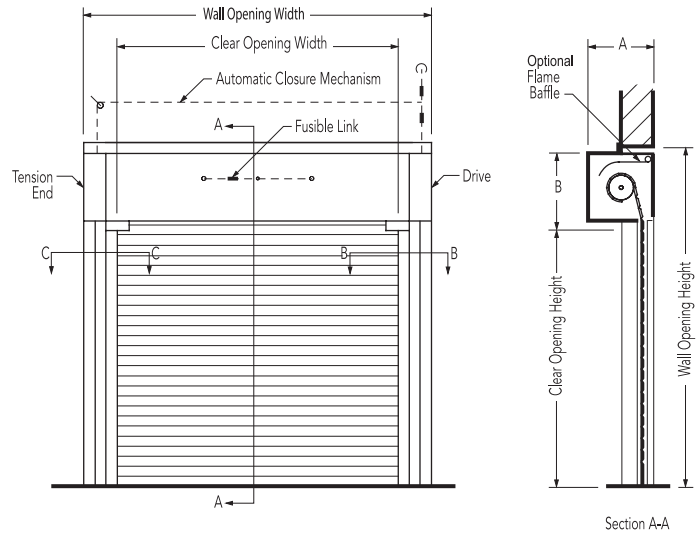
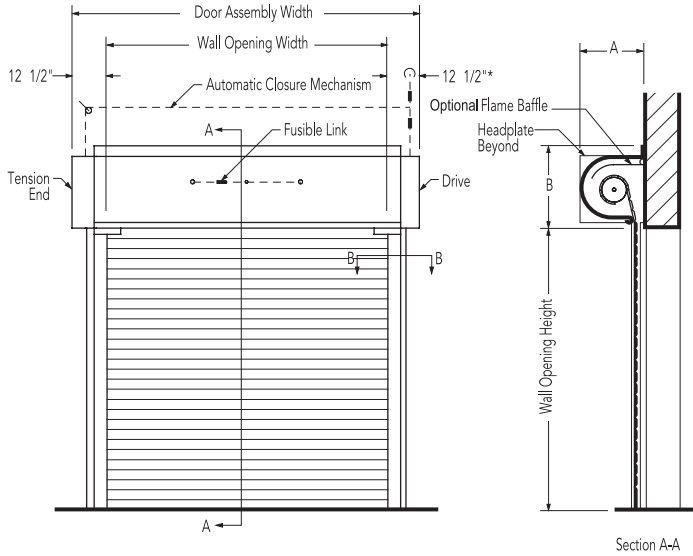


Door clearance elevations

Operation: crank, chain hoist, electric

Chain hoist has only one sash chain located on drive side.

Face-of-wall mounted | **Between jambs mounted**



* Add 7" for crank operation.

* Options may effect clearance dimensions. For more detailed information, consult your local Overhead Door™ Distributor.

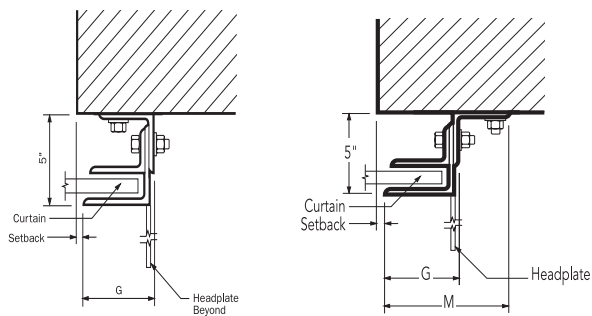
Angle guide

Face-of-wall mounted | **Between jambs mounted**

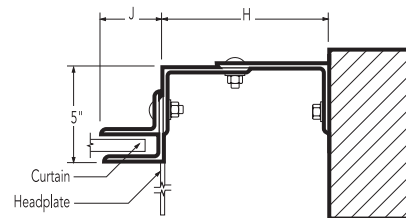
E guide

Z guide

Section B-B

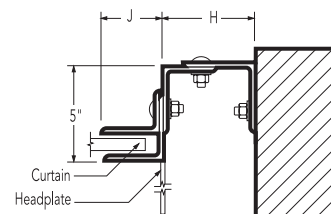


Drive Side - Electric, Chain or Crank
Section B-B



Whenever expansion mounting bolts are used maintain a minimum of 6 bolt diameters from edge of wall.

Tension side & push-up drive side
Section C-C



Whenever expansion mounting bolts are used maintain a minimum of 6 bolt diameters from edge of wall.



Electric operators

Our broad line of electric operators suits new construction and retrofit applications, as well as unusual or special requirements. In order to improve safety and enhance door and motor life, industry quality assurance guidelines recommend the choice of a single manufacturer for both door and operator applications. Overhead Door® commercial operators are UL 325 2010 compliant.

Model RHX® FK

Model RHX® FK is a heavy duty motor featuring industrial gearbox in oil bath design. It offers unique features like LimitLock™, dual frequency radio system and 16 digit menu setup. Combined with FireKing® fire doors this system offers a unique floor resettable feature as well as providing for easy drop test and reset of fire door within seconds.

Model RSX® FDO

Model RHX® FDO is a standard duty motor specifically for fire door operation. While similar to RSX, this model has additional features including: floor level auto reset and timed delay of door drop upon alarm activation, automatic door open upon alarm reset, battery back-up and mechanical braking system.

Model RHX®

Model RHX® is a heavy duty commercial operator designed to operate doors up to 24' (7,315 mm) in height and 3696 pounds (1676 kg). Available as either a trolley, sidemount or centermount.

Model RSX®

Model RSX® is a standard duty commercial operator designed to operate doors up to 24' (7,315 mm) in height and 1620 pounds (735 kg). It offers unique features like LimitLock®, SuperBelt™ and 16 digit menu setup.



Electric operator selection guide

	Horsepower	Max. area of door*	Super Belt™	Worm gear	Adjustable clutch	Totally enclosed	Continuous duty	Explosion proof	Mounting type
RHX® FK	1/2 HP, 3/4 HP, 1 HP, 3 HP	400 sq ft (37.161 sm)		•	•	•	•	•	F
RSX® FDO	1/2 HP, 3/4 HP, 1 HP	400 sq ft (37.161 sm)	•	•	•	•	•		F, T
RHX®	1/2 HP, 3/4 HP, 1 HP	480 sq ft (44.593 sm)		•	•	•	•	•	F, T, W
RSX®	1/2 HP, 3/4 HP, 1 HP	168 sq ft (15.608 sm)	•		•	•	•		F, T, W

Mounting options:

F=Front of hood W= Wall mount T= Top of hood

* Based on slat profile, gauge steel and overall weight of door. Contact Distributor for appropriate motor selection.

Safety recommendations

We strongly recommend the use of interlock switches and an electric safety edge for all electrically operated rolling service doors. If a sensing edge or other reversing device is not installed, a constant-contact control switch must be used to close the door. We recommend a self-mounting, four-wire, fail-safe electric sensing device as defined by UL 325 2010. Contact your Overhead Door™ Distributor for more information.

With the optional selection of a commercial operator for the Fire Door system the floor resettable chain hoist is not available.

The automatic closing of the door must be tested at the time the door is installed, and the door shall be inspected and tested not less than annually as required by NFPA 80. This requirement applies to all fire doors – even those that are not used and remain in the closed position. The doors must be checked regularly for conditions that may affect the operation of the door.





Architect's Corner

A resource for architects, containing comprehensive technical and resource materials to support your project, including drawings and specifications for commercial doors.

www.overhaddoor.com

The original, innovative choice for unequalled quality and service.

Overhead Door Corporation pioneered the upward-acting door industry, inventing the first sectional garage door in 1921 and the first electric door operator in 1926. Today, we continue to be the industry leader through the strength of our product innovation, superior craftsmanship and outstanding customer support, underscoring a legacy of quality, expertise and integrity. That's why design and construction professionals specify Overhead Door™ products more often than any other brand. Our family of over 400 Overhead Door™ Distributors across the U.S. and Canada not only share our name and logo, but also our commitment to excellence.



INDUSTRY LEADING
COMMERCIAL & INDUSTRIAL SOLUTIONS

2501 S. State Hwy. 121 Bus., Suite 200, Lewisville, TX 75067
1-800-929-DOOR • sales@overhaddoor.com
overhaddoor.com