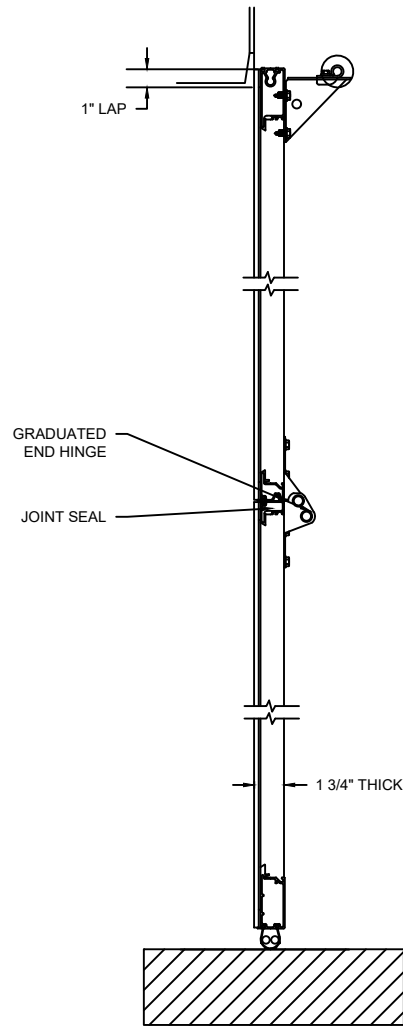
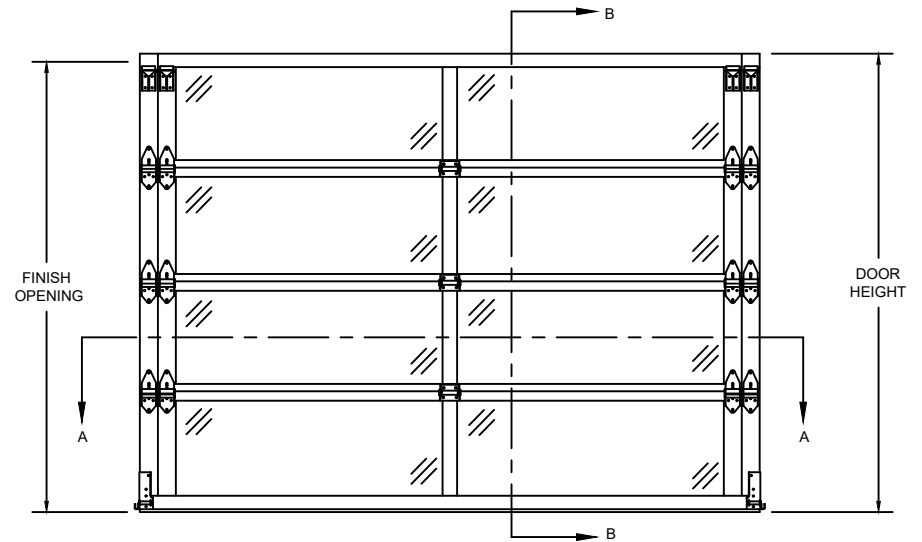


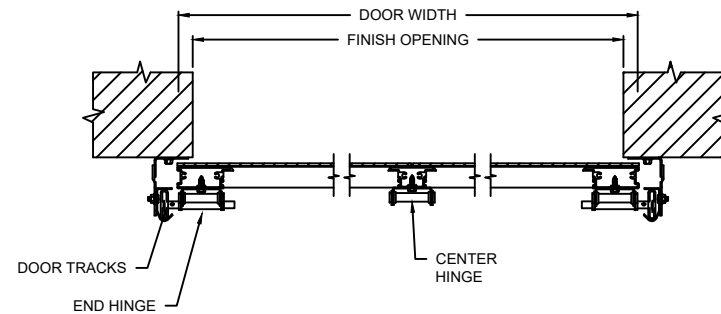
MODEL	STANDARD MAX. VALUES	
	WIDTH	HEIGHT
522	18' 2"	14' 1"



SECTION B-B



ELEVATION



SECTION A-A

**OPTIONS**

OPENING WIDTH	
OPENING HEIGHT	
DOOR TRACK SIZE	<input type="checkbox"/> 2" <input type="checkbox"/> 3"
GLASS OPTIONS	<input type="checkbox"/> OPAQUE - WHITE <input type="checkbox"/> OPAQUE - BLACK <input type="checkbox"/> MIRRORED - GREY <input type="checkbox"/> MIRRORED - BRONZE <input type="checkbox"/> TRANSLUCENT BLACK

COMPONENT	MATERIAL	OPERATION	NOTES:
MATERIAL	6063-T6 ALUMINUM	MANUAL PULL ROPE	- WARRANTY: 1-YEAR LIMITED; 3-YEAR LIMITED POWDER COAT FINISH
HINGES/FIXTURES	GALVANIZED STEEL		
GLASS	GLAZED AS NOTED		
WEATHERSTRIP	FLEXIBLE PVC		

# ALUMINUM SECTIONAL

522 ALUMINUM GLASS DOOR

DWG. NO.	DATE:	<b>The Genuine. The Original.</b> <b>OVERHEAD DOOR</b>
SHEET	BY:	