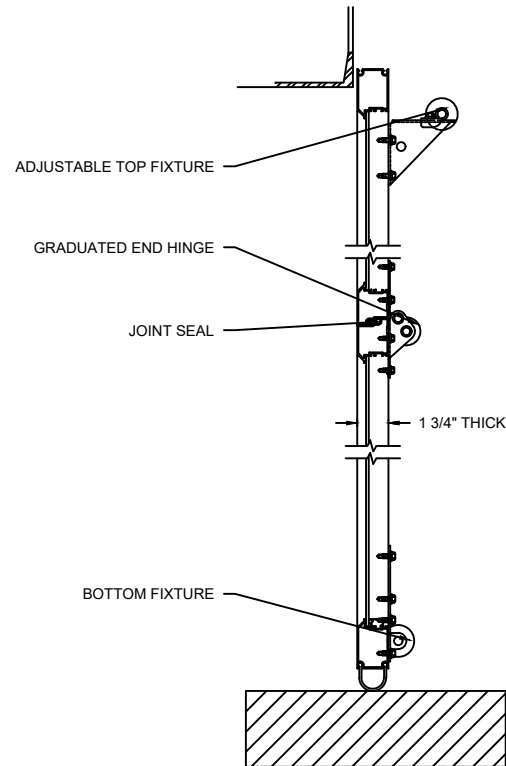
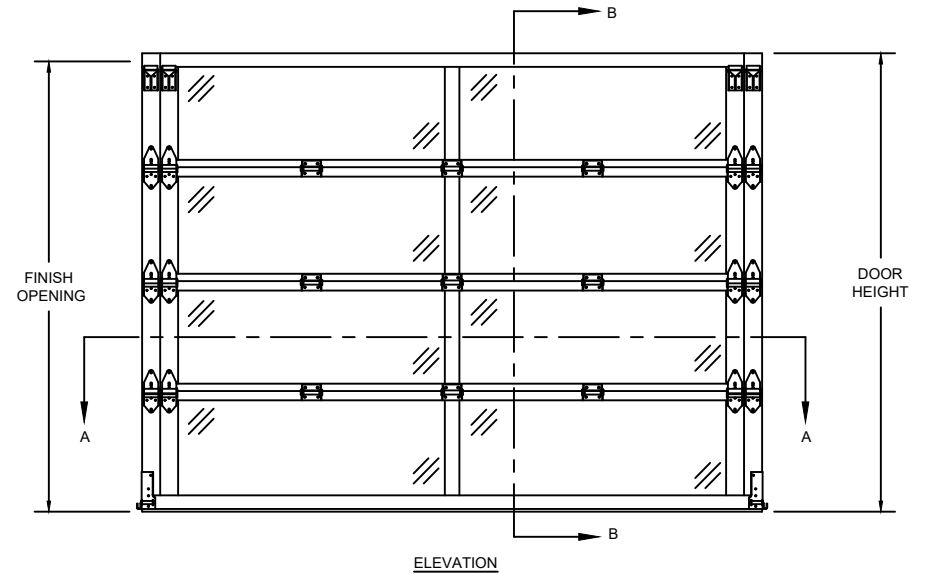


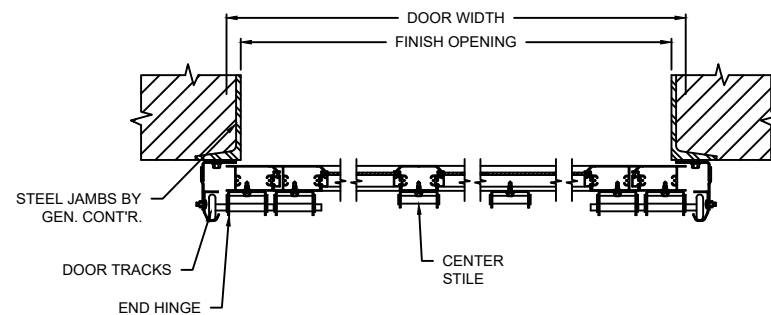
MODEL	STANDARD MAX. VALUES	
	WIDTH	HEIGHT
521s	20' 2"	18' 1"



SECTION B-B



ELEVATION



SECTION A-A

**OPTIONS**

OPENING WIDTH	
OPENING HEIGHT	
ROLLER TRACK SIZE	<input type="checkbox"/> 3"
GLAZING OPTIONS	<input type="checkbox"/> DSB GLASS <input type="checkbox"/> ACRYLIC <input type="checkbox"/> TEMPERED GLASS <input type="checkbox"/> CLEAR POLYCARBONATE <input type="checkbox"/> MULTI-WALL POLYCARBONATE <input type="checkbox"/> WIRE GLASS <input type="checkbox"/> LOW E <input type="checkbox"/> LEXAN <input type="checkbox"/> LAMINATE

COMPONENT	MATERIAL	OPERATION	NOTES:
MATERIAL	6063-T6 ALUMINUM	DIRECT DRIVE INTEGRATED GEAR/MOTOR/BRAKE ASSEMBLY	- WARRANTY: 1-YEAR LIMITED; 3-YEAR LIMITED POWDER COAT FINISH
HINGES/FIXTURES	GALVANIZED STEEL		
GLASS	GLAZED AS NOTED		
WEATHERSTRIP	FLEXIBLE PVC		

**EVERSERVE®**

521s SPRINGLESS ALUMINUM FULL VIEW DOOR

DWG. NO.	DATE:	<b>The Genuine. The Original.</b> <b>OVERHEAD DOOR</b>
SHEET	BY:	