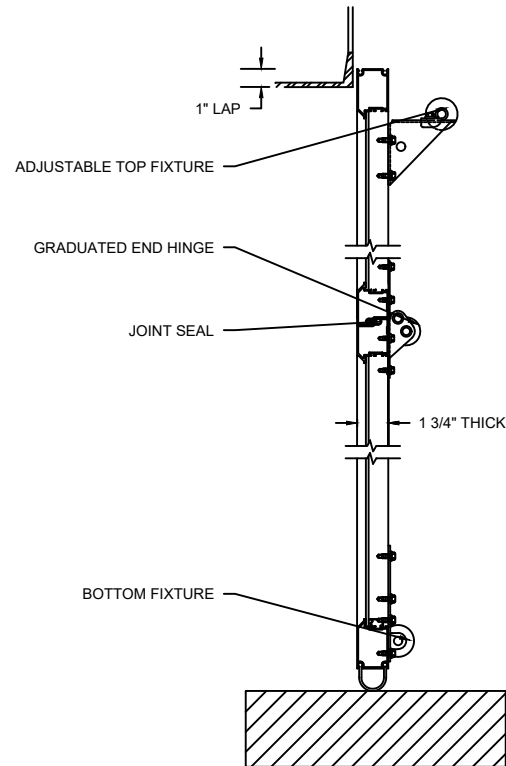
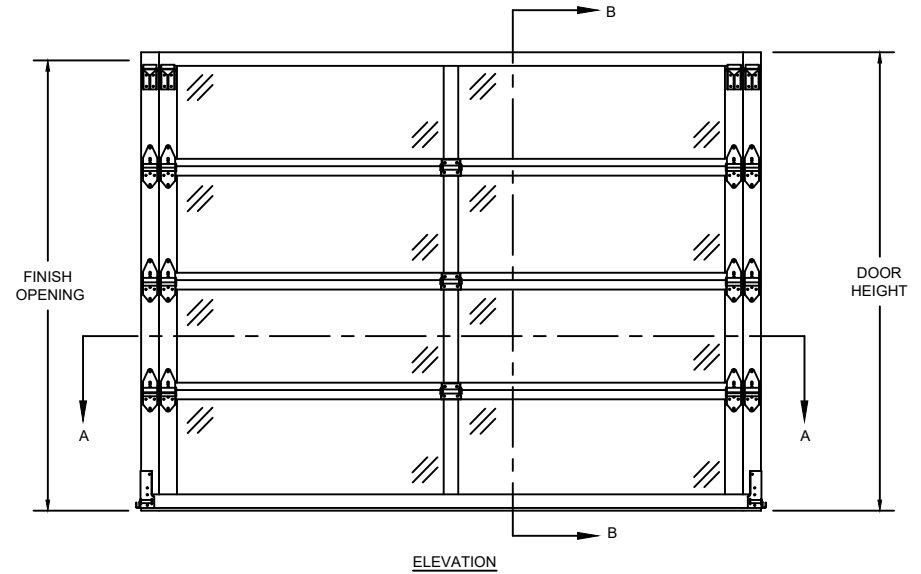


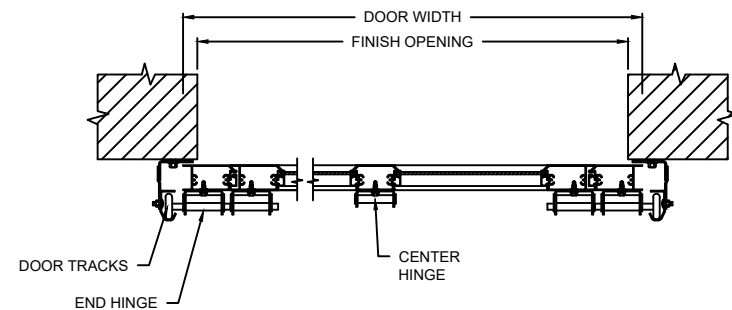
MODEL	STANDARD MAX. VALUES	
	WIDTH	HEIGHT
521	26' 2"	20' 1"



SECTION B-B



ELEVATION



SECTION A-A

OPTIONS	
OPENING WIDTH	
OPENING HEIGHT	
DOOR TRACK SIZE	<input type="checkbox"/> 2" <input type="checkbox"/> 3"
GLAZING OPTIONS	<input type="checkbox"/> DSB GLASS <input type="checkbox"/> ACRYLIC <input type="checkbox"/> TEMPERED GLASS <input type="checkbox"/> CLEAR POLYCARBONATE <input type="checkbox"/> MULTI-WALL POLYCARBONATE <input type="checkbox"/> WIRE GLASS <input type="checkbox"/> LOW E <input type="checkbox"/> POLYCARBONATE <input type="checkbox"/> LAMINATE

COMPONENT	MATERIAL	OPERATION	NOTES:
MATERIAL	204R-1 CLEAR ANODIZED	MANUAL PULL ROPE	- WARRANTY: 1-YEAR LIMITED; 3-YEAR LIMITED POWDER COAT FINISH
HINGES/FIXTURES	GALVANIZED STEEL		
LOCK	GALVANIZED, INTERIOR-MOUNTED		
WEATHERSTRIP	FLEXIBLE PVC		

ALUMINUM SECTIONAL

521 ALUMINUM GLASS DOOR

DWG. NO.	DATE:	
SHEET	BY:	