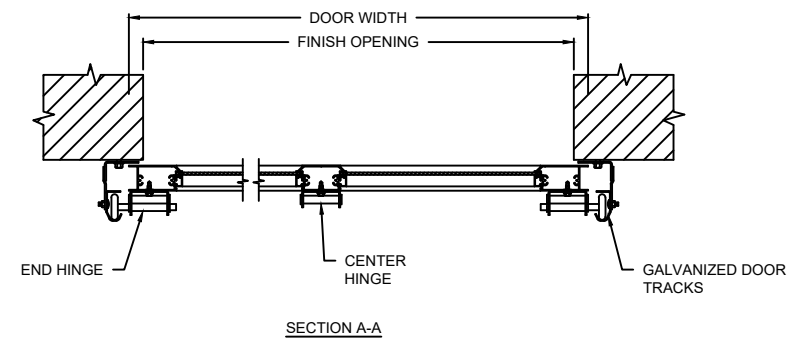
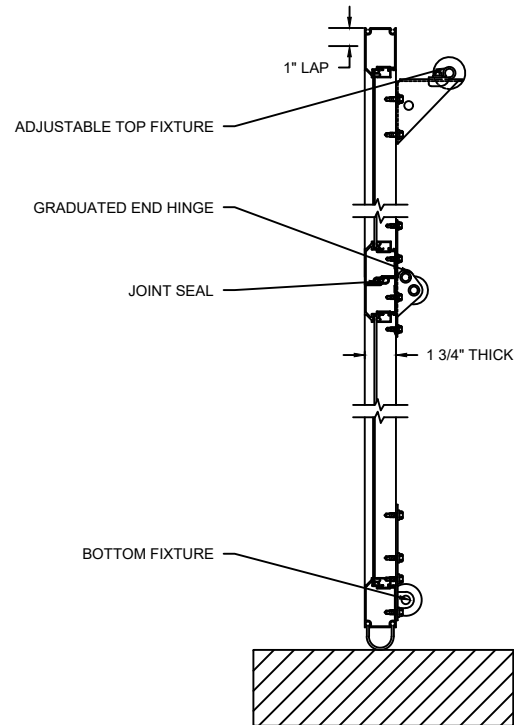
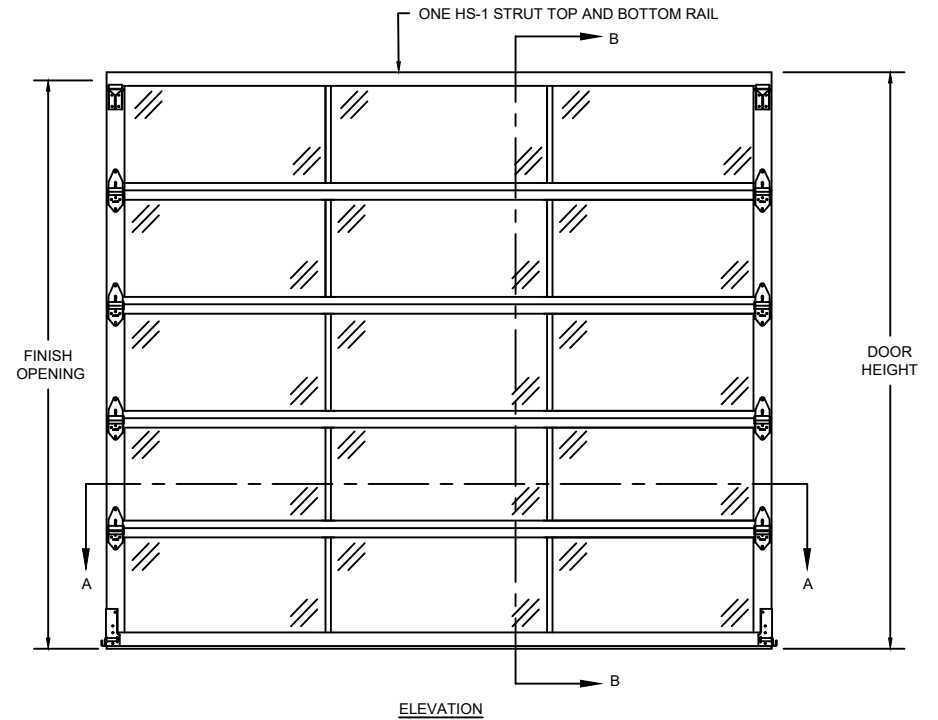


MODEL	STANDARD MAX. VALUES	
	WIDTH	HEIGHT
511	16' 2"	16' 1"



OPTIONS

OPENING WIDTH

OPENING HEIGHT

DOOR TRACK SIZE 2" 3"

- GLAZING OPTIONS
- DSB GLASS
 - ACRYLIC
 - TEMPERED GLASS
 - CLEAR POLYCARBONATE
 - MULTI-WALL POLYCARBONATE
 - WIRE GLASS
 - LOW E
 - POLYCARBONATE
 - LAMINATE

COMPONENT	MATERIAL	OPERATION	NOTES:
MATERIAL	204R-1 CLEAR ANODIZED	MANUAL PULL ROPE	- WARRANTY: 1-YEAR LIMITED; 3-YEAR LIMITED POWDER COAT FINISH
HINGES/FIXTURES	GALVANIZED STEEL		
LOCK	GALVANIZED, INTERIOR-MOUNTED		
WEATHERSTRIP	FLEXIBLE PVC		

ALUMINUM SECTIONAL

511 ALUMINUM GLASS DOOR

DWG. NO.	DATE:	The Genuine. The Original. OVERHEAD DOOR
SHEET	BY:	