

COUNTDOWN TIMER DISPLAY

FOR OVERHEAD DOOR® COMMERCIAL STANDARD AND HEAVY-DUTY OPERATORS



THE NEW STANDARD IN PROVIDING COMMERCIAL DOOR OPERATING STATUS TO VEHICLE OR PEDESTRIAN TRAFFIC WITH COMPLETE DIGITAL VISUAL INFORMATION OF THE DOOR'S PENDING MOVEMENTS

The Countdown Timer enhances traffic flow, helps reduce expensive door damage, and improves safety by notifying drivers when the door will begin closing, reducing the risk of the door closing on a vehicle.

Application requirements

- Overhead Door® standard or heavy-duty hoist, jackshaft, or trolley operator
- Countdown timer controller and display kit (P/N: OPAKCTC.S)
- Monitored photocells and/or monitored safety edge
- Auxiliary output module (AOM) (P/N: OPABIOX.S)
- External receiver when using remote controls for countdown operation (internal receiver cannot be used with countdown timer)
- Additional 24 VAC transformer kits
 - For 115/208/230 VAC single phase operators (P/N: 111087.0004.S)
 - For 208/230/460 VAC three phase operators (P/N: 111087.0005.S)
 - For 575 VAC three phase operators (P/N: 111087.0006.S)

Door status messages



Counting down
5 seconds to close



Door stopped



Door closing
(flashing)



Obstruction
reversal



Door open



Open interlock



Door opening (rolling bars)



INDUSTRY LEADING
COMMERCIAL & INDUSTRIAL SOLUTIONS

COUNTDOWN TIMER DISPLAY

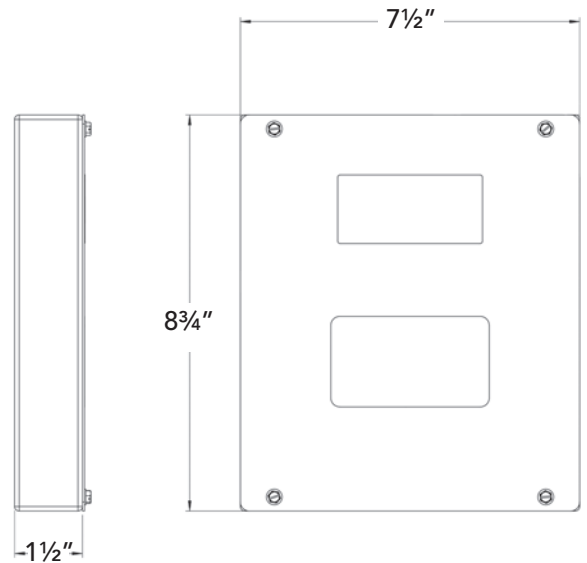
Standard features

- Timed close - Adjustable from 1 second to 5 minutes
- Automatic timer close reset after power interruptions for security
- 4" tall LED status characters
- Adjustable mounting brackets on display
- Weather resistant display housing for exterior applications
- Countdown timer supports two displays (2nd display optional)
(P/N: OPAKCTD.S)

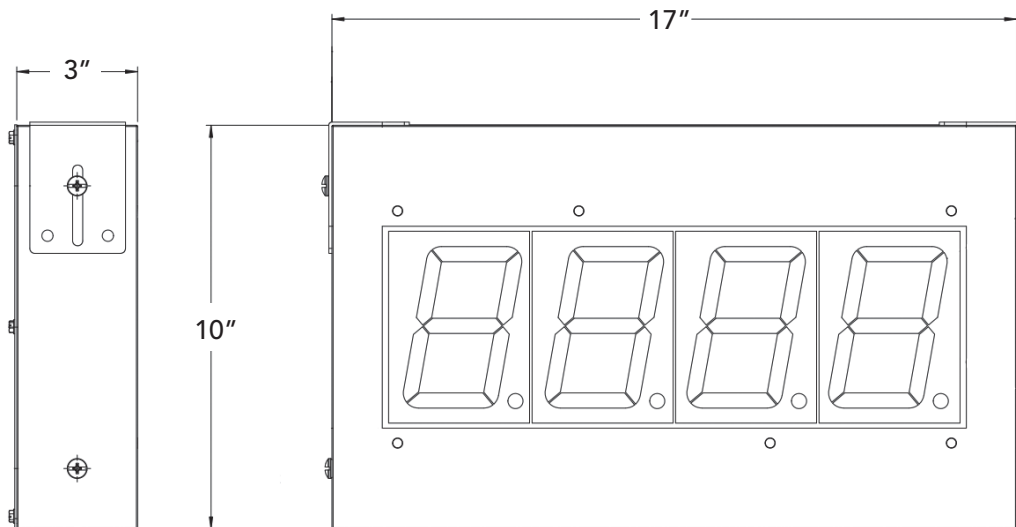
Specifications

- Controller dimensions: 8 $\frac{3}{4}$ "H x 7 $\frac{1}{2}$ "W x 1 $\frac{1}{2}$ "D
- Display dimensions: 10"H x 17"W x 3"D
- Power: 24 VAC 1A (via auxiliary operator transformer)
- Controller to display cable: 25' CAT5 (included)
- Controller to operator cable: 4' multi-conductor low voltage (included)

Countdown controller dimensions



Countdown display dimensions



INDUSTRY LEADING
COMMERCIAL & INDUSTRIAL SOLUTIONS

2501 S. State Hwy. 121 Bus., Suite 200, Lewisville, TX 75067
1-800-929-DOOR • sales@overhaddoor.com
overhaddoor.com

